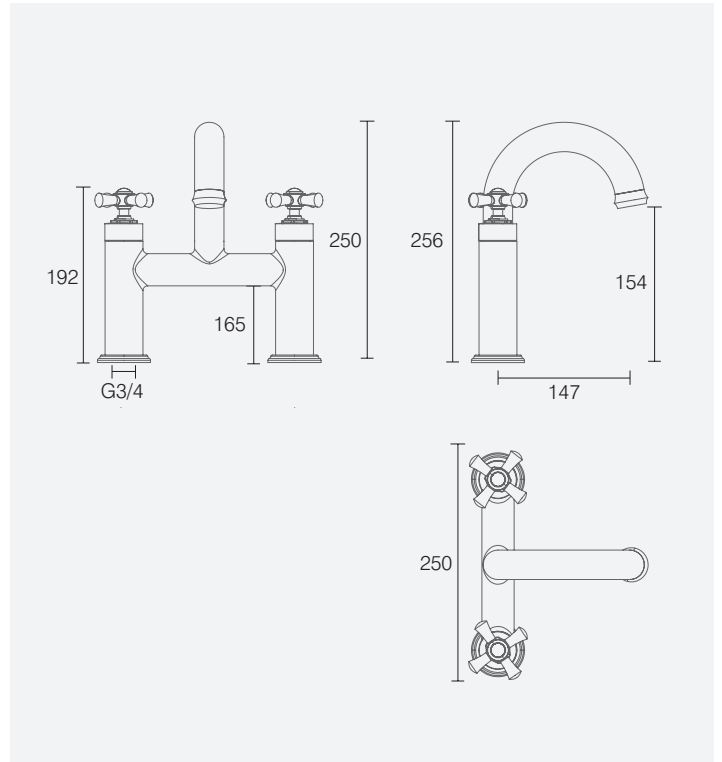


LAURA ASHLEY BATHROOM COLLECTION

York Deck Mounted Bath Filler - Specification Sheet



Product Range	York
Product Type	Deck Mounted Bath Filler
Product Code	LA1012
Product Finish	Chrome
Product Features	<ul style="list-style-type: none"> Quarter Turn Ceramic Disc Valves
Product Guarantee	10 Year Guarantee
Operating Pressure	Min Operating Pressure 0.3 Bar

Flow Rates (litres / minute) at Bar Pressure										
	0.1	0.2	0.3	0.4	0.5	1	2	3	4	5
LP	9.41	11.99	15.46	20.86	22.15	30.45	42.21	49.36	54.21	59.47

If you require further information on our Laura Ashley Bathroom Collection products then please contact a member of our customer service team who will be happy to assist with your query.

T: 01225 303 929 **F:** 01225 448 877 **E:** sales@lauraashleybathroomcollection.com