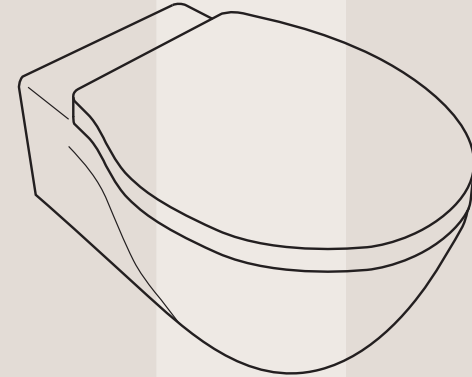


# LAURA ASHLEY HOME

## BAYSWATER WALL HUNG WC INSTALLATION & AFTERCARE INSTRUCTIONS



LA9108

RETAIN FOR FUTURE REFERENCE

### **Customer Services**

Laura Ashley Bathrooms, Brassmill Lane Trading Estate, Bath BA1 3JF

Tel: 01225 303 900 | Fax: 01225 448 877

Email: [info@lauraashleybathroomcollection.com](mailto:info@lauraashleybathroomcollection.com) | Web: [www.lauraashleybathroomcollection.com](http://www.lauraashleybathroomcollection.com)

Manufactured under license for Laura Ashley Ltd.

# BAYSWATER WALL HUNG WC

## INSTALLATION & AFTERCARE INSTRUCTIONS

LAURA ASHLEY  
HOME

### INSTALLATION PROCEDURE

This pan must be installed with a suitable wall hung WC frame and cistern. (not supplied)

- 1) Following the dimensions stated, screw the fixing studs supplied with the pan onto the threaded bar of your chosen wall hung frame. The studs should be spaced 180mm from the finished wall surface. Ensure the dimples are facing downwards.
- 2) Fix the black fixing inserts into the pan by pinching the legs. Push the inserts through the hole from the inside of the pan so that the inserts are positioned as shown with the rods pointing downwards.
- 3) After making all plumbing connections, offer the pan up to the fixing studs and push the pan back so it is flush with the wall and making sure that the inlet and outlet connections from the frame are successful.
- 4) Using a second person to hold the pan against the wall, tighten the rods clockwise from underneath the pan with the tool provided. Ensure the pan is completely secure before use.

