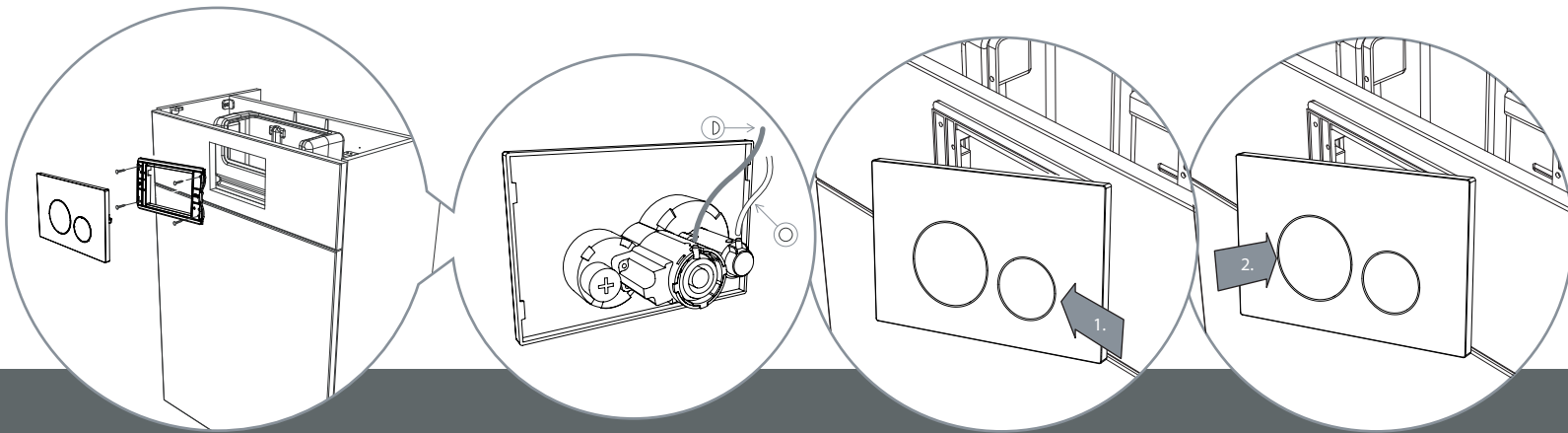


Installation with a concealed cistern



Cut aperture 172 mm x 105mm.
Check for obstructions before cutting.
Screw mounting bracket
to the unit

Connect the hoses in the
correct positions

Locate right side of flush plate
onto the mounting bracket
and push to the left

Push flush plate inward
to secure in place

For installation with a wall hung frame or in-wall cistern, please refer to the product instructions.

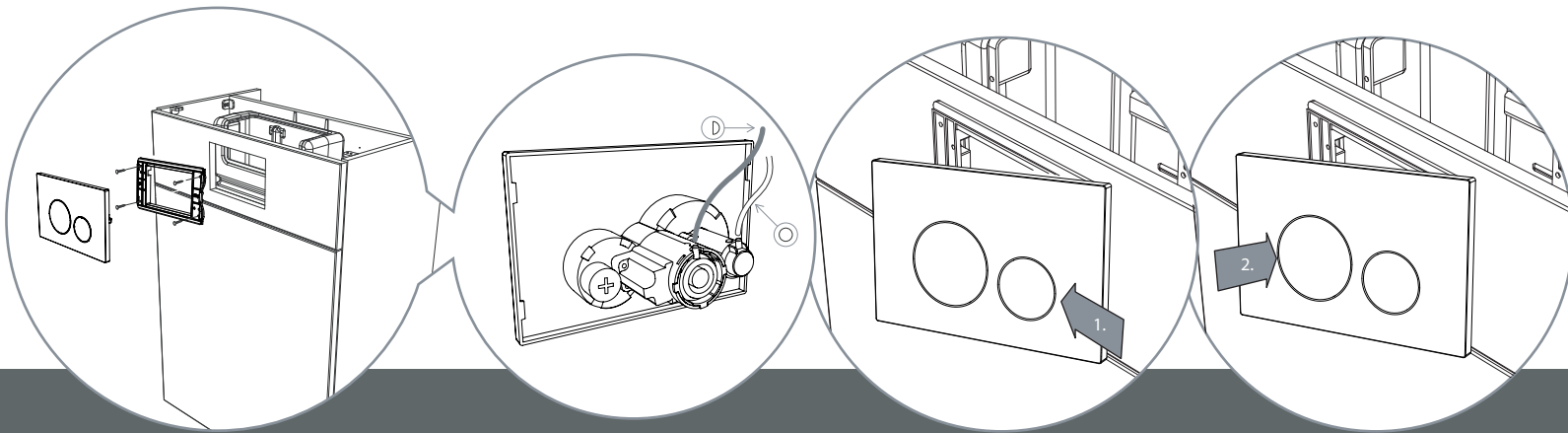
compatible with the following cisterns & wall hung frames:

- TR9001 torrent cistern
- TR9002 cascade cistern
- VOR790 vortex cistern
- APX790 apex cistern
- TR9005 / WHF082 0.82m wall hung frame
- TR9006 / WHF117 1.17m wall hung frame
- TR9009 / VOR620 in-wall cistern



Brought to you by the Roper Rhodes Group
Brassmill Lane Trading Estate, Bath, BA1 3JF
t: 01225 303900

Installation with a concealed cistern



Cut aperture 172 mm x 105mm.
Check for obstructions before cutting.
Screw mounting bracket
to the unit

Connect the hoses in the
correct positions

Locate right side of flush plate
onto the mounting bracket
and push to the left

Push flush plate inward
to secure in place

For installation with a wall hung frame or in-wall cistern, please refer to the product instructions.

compatible with the following cisterns & wall hung frames:

- TR9001 torrent cistern
- TR9002 cascade cistern
- VOR790 vortex cistern
- APX790 apex cistern
- TR9005 / WHF082 0.82m wall hung frame
- TR9006 / WHF117 1.17m wall hung frame
- TR9009 / VOR620 in-wall cistern



Brought to you by the Roper Rhodes Group
Brassmill Lane Trading Estate, Bath, BA1 3JF
t: 01225 303900