



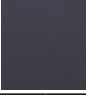
Technical Data Sheet

Vitoria 600mm Floor Mounted Underslung Unit

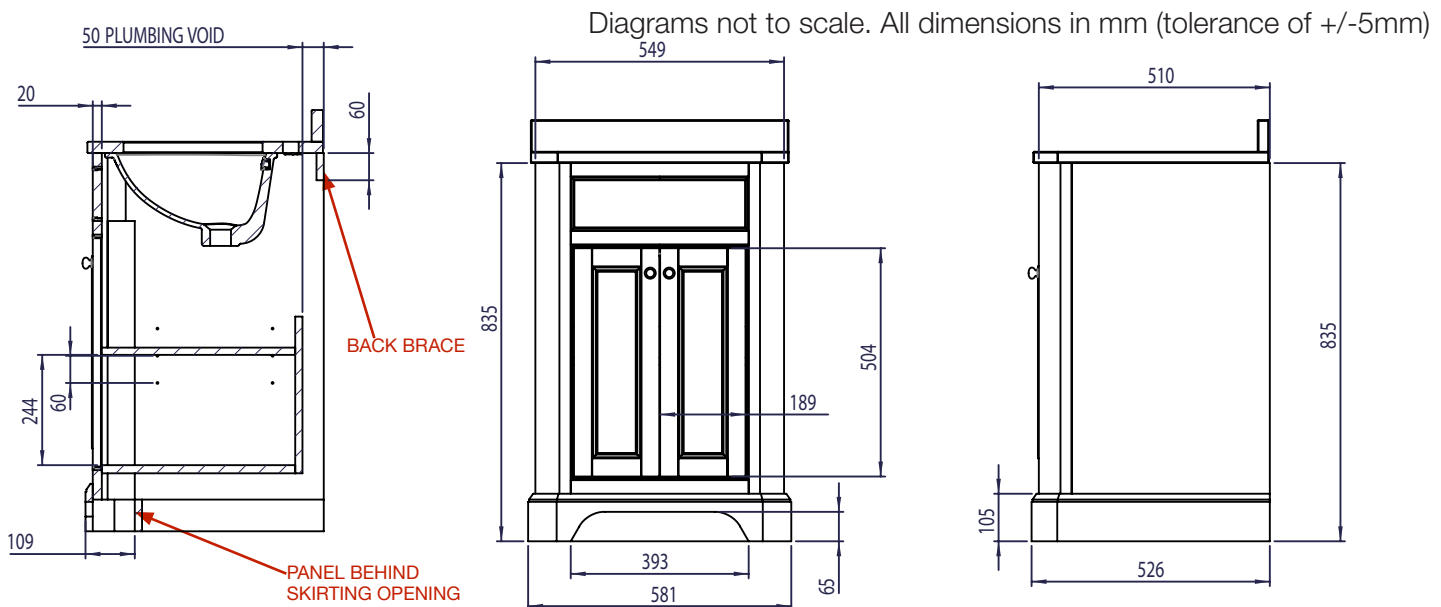
TAVISTOCK
inspiring bathrooms

| No. | Description | Code | Fixings Included |
|-----|---|------------|------------------|
| 1 | Vitoria 600mm Floor Mounted Underslung Unit | VT60USFX | NO |
| 2 | Vitoria Underslung Worktop and Upstand | VT60USWTAR | YES |



| FINISHES AVAILABLE | |
|---|---|
|  |  |
| Linen White | Pebble Grey |
|  | |
| Matt Dark Grey | |

Dimensions



*Dimensions are subject to change, customers are advised to measure actual product before commencing installation.
**Fixing point dimensions are for guidance only/the positions of wall fixing must be checked when product is received.

FAQs

Q: How big is the plumbing void at the back of the furniture?
A: 50mm

Q: Can the doors be adjusted?
A: Yes, the door hinges are adjustable in place.

Q: Are the hinges soft close?
A: Yes.

Q: How deep is the unit when the doors are fully open?
A: Approx. 700mm (approx 90 degree opening hinges)

Technical Data Sheet

Vitoria 600mm Floor Mounted Underslung Unit

TAVISTOCK
inspiring bathrooms

FAQs

Q: How do I fix the unit to the wall?

A: You can secure it to the wall drilling through the back brace.

Q: Is the shelf removable?

A: Yes, shelf is on shelp pins. Shelf is adjustable by 60mm spacing increments

Q: Does the unit have a colour reference?

A: No, part can be taken and matched by paint supplier (no RAL code)

Q: What is the unit made of?

A: Unit is made from a solid poplar wood frame and MDF panels

Q: Is the worktop and upstand sold seperatley?

A: Yes, see brochure for infomation. Code for worktop and upstand: VT60USWTAR - Refer to seperate TDS for further info.