

CM800F/ CM600F / CM500F COMPASS FLOOR MOUNTED UNIT

TAVISTOCK

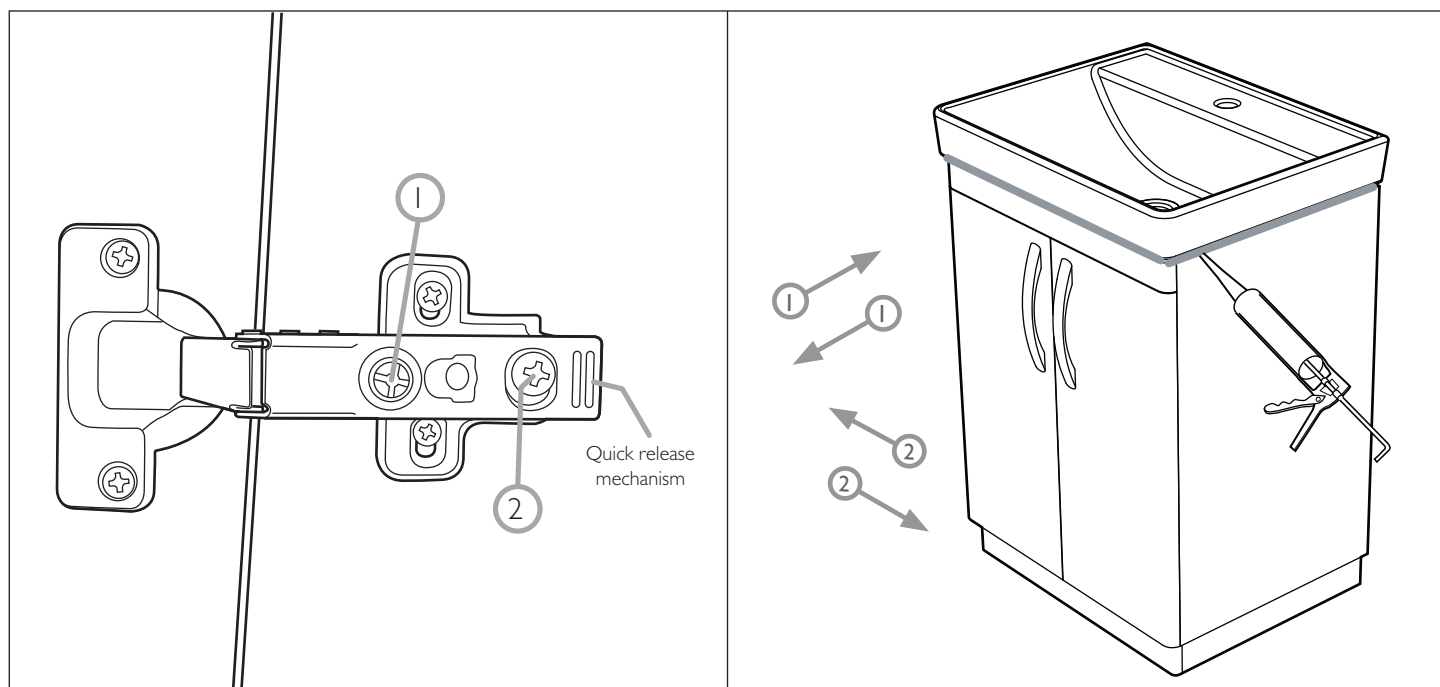
INSTALLATION & AFTERCARE INSTRUCTIONS

Before You Start

It is recommended that the unit and basin are secured to a suitably reinforced wall to ensure stability. This can be done through the back rail. (Fixings not included).

Hinge Adjustment

The unit doors can be adjusted or removed if necessary. There are two adjustment screws on the hinges which make the adjustments shown in the image below. The quick release button on the back of the hinge can be used to remove the door completely.



FURNITURE AFTERCARE INSTRUCTIONS

As with all wooden furniture, this unit should be treated with care:

We recommend...



Wipe away any water splashes or condensation after use. Excessive exposure to water will deteriorate the furniture.



All bathrooms should be well ventilated with a suitable extractor fan.



Clean with a soft damp cloth only.



For removal of lime scale deposits use a suitable proprietary cleaner. If necessary test on an inconspicuous area first.

Please DO NOT...



Do not scrub or scour



Do not use abrasive cleaning agents

REPLACEMENT COMPONENTS

Should you require any replacement components for this product please contact Tavistock using the contact details below.