

# CM800W/ CM600W/ CM500W COMPASS WALL MOUNTED UNIT

## INSTALLATION & AFTERCARE INSTRUCTIONS

### Before you start:

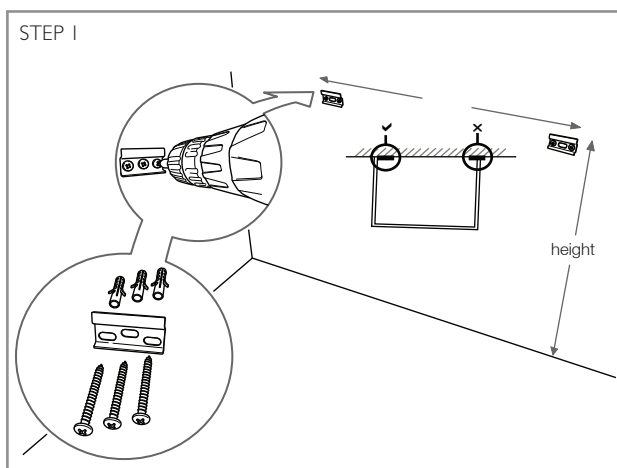
It is recommended that the unit and basin are secured to a suitably reinforced wall to ensure stability. This should be done using the wall hanging plates supplied. The wall fixings supplied are intended to be used on a solid brick walls. Check suitability before continuing.

Wear suitable eye protection when drilling. Take care when using power tools near water - the use of a residual current device (RCD) is recommended. Beware of hidden pipes or cables. Take care when drilling tiled surfaces as the drill might slip. Use a piece of masking tape to prevent the drill from wandering.

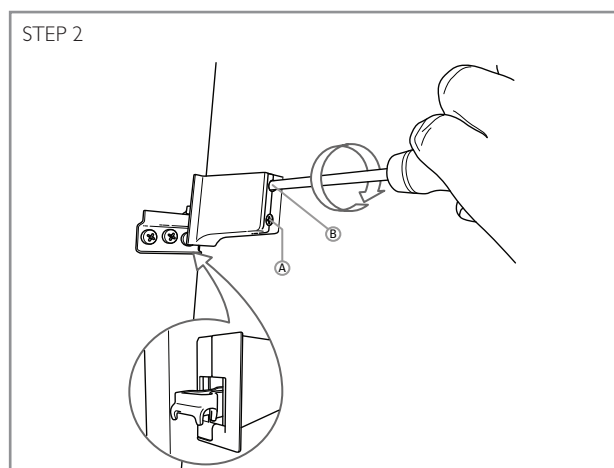
### IMPORTANT: TRANSIT RAIL

The furniture is supplied with a transit rail fitted to protect the unit as it is delivered. The rail should be removed and disposed of prior to fitting the unit, done by unscrewing the brackets holding it in place. The rail needs to be removed to allow the basin to be installed correctly.

## WALL MOUNTING INSTRUCTIONS

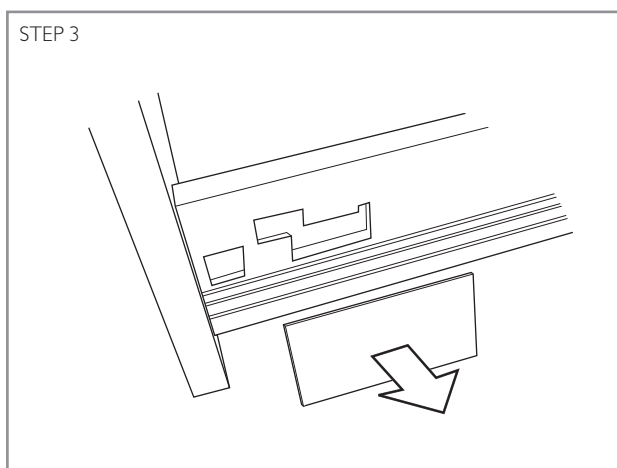


Mark the location of each of the wall mounting plates ensuring that they are positioned inside the sidewalls of the vanity unit. We would recommend the height is set such that the overall height including the basin is 860mm. For each mounting plate drill three holes in the marked positions using a 8mm drill bit to a depth of 55mm.

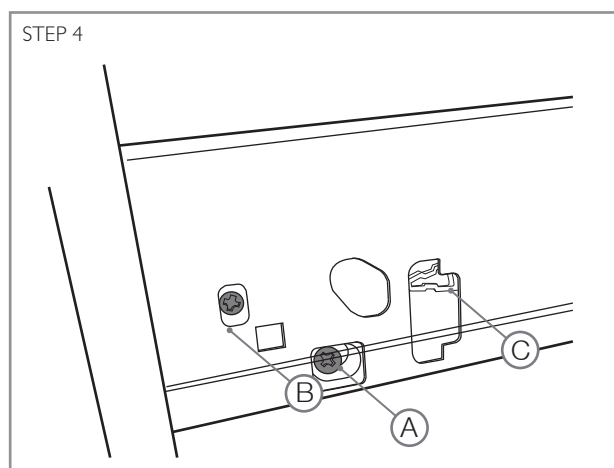


Locate the hangers onto the wall mounting plates. Wall hangers not only tighten the unit against the wall (Screw A) but also offer up/down adjustment to fine-tune the fixing position (Screw B). Finally replace the covering cap provided over the wall hangers to hide the screws.

## DRAWER FASCIA ADJUSTMENT



The drawer may require adjustment to ensure alignment. This is achieved with the adjustable runners. They are located at the front on the underside of the drawer. By rotating the wheel indicated in Step 3 vertical adjustment of the drawer can be made.



The drawers have a quick release function. The drawer is removed by squeezing the levers C on both of the runners and pulling the drawer forward.

NOTE: On 800mm unit there will be an additional fixing on under side of drawer base connected to the fascia. Undo this fixing before attempting to remove fascia panel.

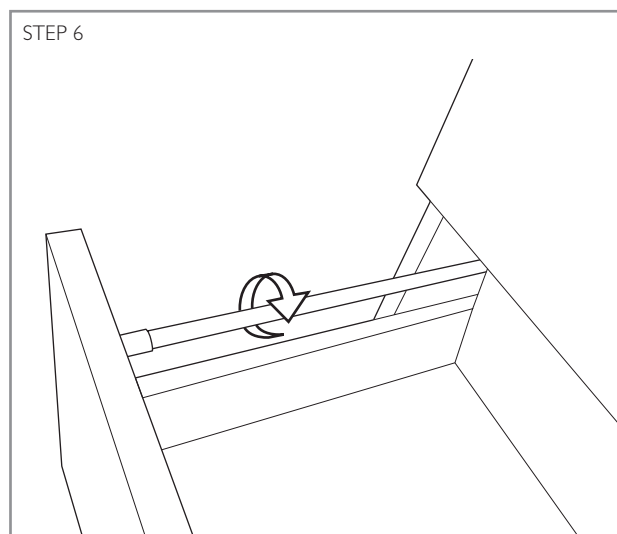
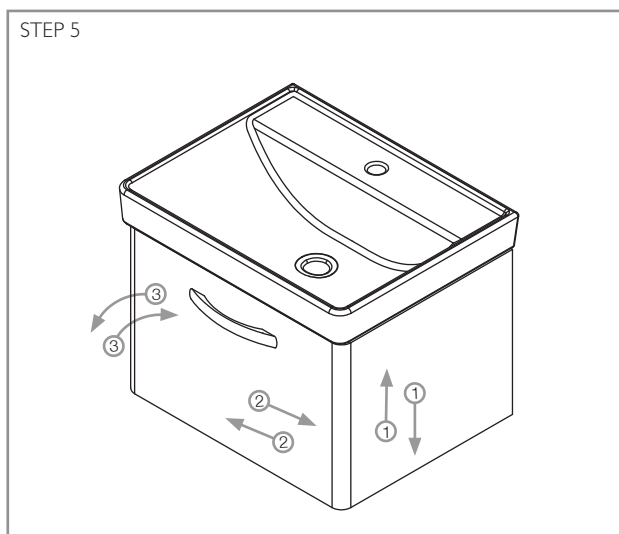
If the drawerbox is removed take care to protect the remaining runners from any building debris.

To replace the drawer extend the drawer runners and place the drawerbox on them. Close the drawer, and check that both sides 'click' into position.

# COMPASS WALL MOUNTED UNIT

## INSTALLATION & AFTERCARE INSTRUCTIONS

### DRAWER FASCIA ADJUSTMENT CONTINUED...



To make adjustment 1 (Up and Down) turn screw A (see Step 4)  
To make adjustment 2 (Left and Right) turn screw B (see Step 4)  
To make adjustment 3 (Tilt angle) adjust rail (see Step 6)

### BASIN INSTALLATION

Once the basin has been test fitted, finish by securing the basin to the unit using a silicone sealant (not supplied).



### FURNITURE CARE INSTRUCTIONS

As with all wooden furniture, this product should be treated with care.

**WE RECOMMEND...**

-  Wipe away any water splashes or condensation after use. Excessive exposure to water will deteriorate the furniture.
-  All bathrooms should be well ventilated with a suitable extractor fan.
-  Clean with a soft damp cloth only.
-  For removal of lime scale deposits use a suitable proprietary cleaner. If necessary test on an inconspicuous area first.

**PLEASE DO NOT...**

-  Do not scrub or scour
-  Do not use abrasive cleaning agents