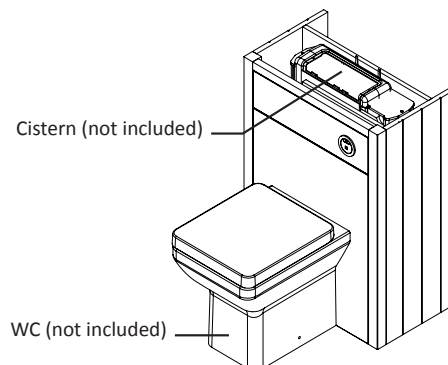
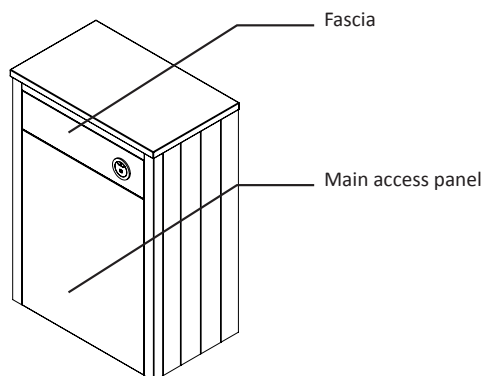


LANSDOWN 600MM BACK TO WALL (LAN600BTW.IW/LAN600BTW.PG) INSTALLATION AND AFTERCARE INSTRUCTIONS

TAVISTOCK
inspiring bathrooms

Important Installation Notes

It is essential that any surfaces of the unit which are cut during installation are re-sealed using an appropriate waterproof sealant, varnish or oil based paint. Failure to re-seal cut surfaces will invalidate the product warranty and may result in water damage.



Joining Units

This unit can be joined to other units with furniture fixing bolts (not provided). It is recommended that units are joined before they are fixed to the wall. Clamp the units together using suitable clamps, ensuring they are flush and level with each other. Drill out the 4 pilot holes in the side of the unit and using the bolts, join units together. Remove clamps and fix the assembly to the wall as required using corner brackets (not supplied).

Installing WC / Bidet

This unit can be joined to other units with furniture fixing bolts (not provided). It is recommended that units are joined before they are fixed to the wall. Clamp the units together using suitable clamps, ensuring they are flush and level with each other. Drill out the 4 pilot holes in the side of the unit and using the bolts, join units together. Remove clamps and fix the assembly to the wall as required using corner brackets (not supplied).

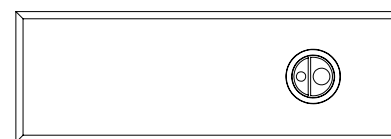
Please note that these instructions are a guide only and may not be appropriate for all installations. Fit WC / Bidet according to manufacturer's instructions. The main access panel and fascia are designed to be fitted / removed after the WC / bidet is installed.

A normal installation of a WC would be as follows:

1. Remove fascia by pushing in at then bottom then gently pulling it.
2. Remove main access panel by pusing it out from the inside.
3. Fit base unit to wall in required location ensuring correct position of supply and waste pipes.
4. Fit WC and cistern according to the manufacturer's instructions - check system carefully for leaks.
5. Cut a suitable slot in the main access panel to allow for the soil pipe. Note: Cut this slot as wide as possible to make the refitting of the main access panel easier. The cut surfaces should then be sealed with an appropriate waterproof sealant. Refit the panel by sliding and pushing it back into position. Silicone the join between the WC and the access panel.
6. Drill a suitable diameter hole in the fascia for the cistern operating button and install according the the manufacturers guidelines. The holes should be vertically central to prevent the fascia rocking when the button is pushed (see Fig.1).
7. Re-fit fascia.
8. Fit worktop.

The installation of a bidet is identical, except there is no requirement for a cistern & operating button.

Fig .1



Furniture Aftercare Instructions

As with all wooden furniture, this product should be treated with care.

We Recommend...

- Wipe away any water splashes or condensation after use. Excessive exposure to water will deteriorate the furniture
- All bathrooms should be well ventilated with a suitable extractor fan
- Clean with a soft damp cloth only
- Use a wax free polish if one must be used
- For removal of lime scale deposits use a suitable proprietary cleaner

Please DO NOT...

- Do not scrub or scour
- Do not use abrasive cleaning agents

Should you require any replacement components for this product please contact Roper Rhodes using the contact details below.