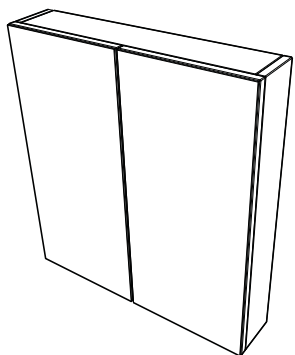


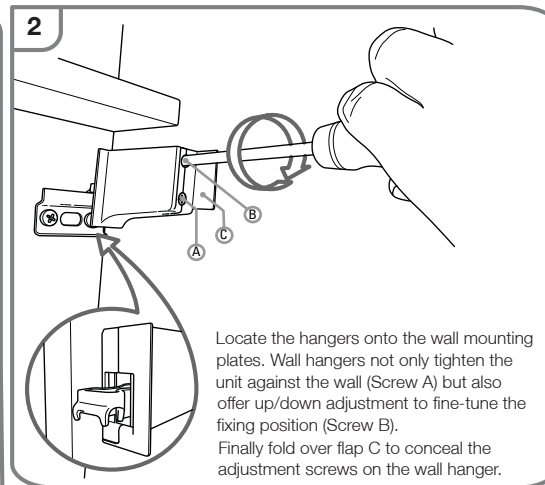
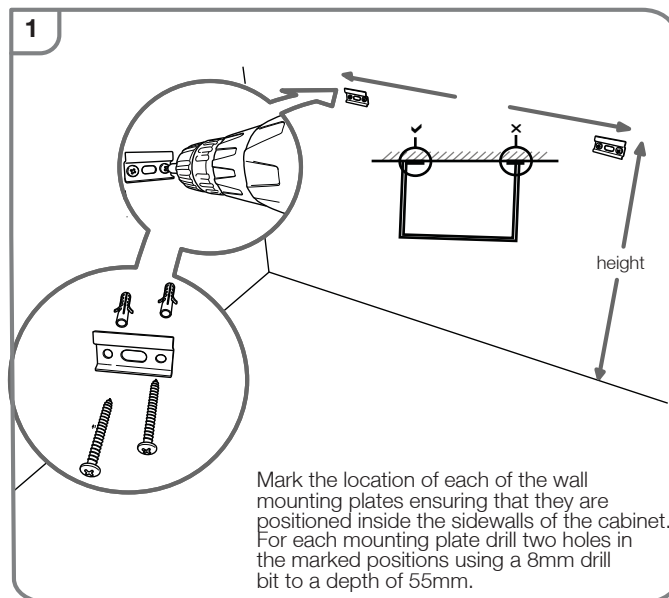
Please retain for future reference

DOUBLE DOOR CABINET  
OB60W / OB60M



#### Before you start

It is recommended that the cabinet is secured to a suitably reinforced wall to ensure stability. Wall plugs are only suitable for solid stone/ brick walls. For plasterboard walls use specialist wall plugs (not supplied).  
Wear suitable eye protection when drilling. Take care when using power tools near water - the use of a residual current device (RCD) is recommended. Beware of hidden pipes or cables. Take care when drilling tiled surfaces as the drill might slip. Use a piece of masking tape to prevent the drill from wandering.



#### Replacement components

Should you require any replacement components for this product please contact Tavistock using the contact details below.

#### Warnings

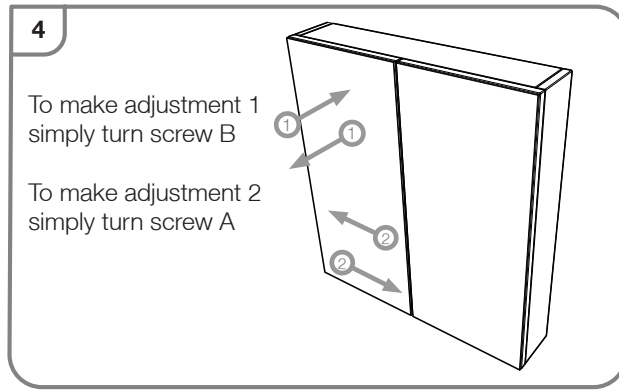
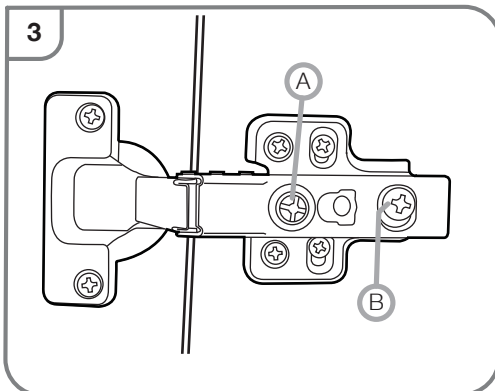
Do not strike the glass components. Do not place very hot or very cold items against or in close proximity to glass surfaces unless an adequately thick insulation material is used to prevent such items coming in contact with the glass.

#### Replacement of Glass Components - BS7449 : 1991

This cabinet contains a mirrored door with a nominal thickness of 5mm. Should the mirror become chipped or broken, it is not possible to replace the glass of the type described above due to the construction of the door. Contact Tavistock for details on obtaining a suitable replacement door quoting the model number and batch number. For all other replacement components for this product please also contact Tavistock using the contact details below.

#### Door Adjustment

Hinges may require adjustment for correct door alignment. This is achieved with the adjustable soft close hinges using the adjustment screws A and B (see Drawing 3).



#### All wooden furniture should be treated with care...

##### We recommend

Wipe away any water splashes or condensation after use. Excessive exposure to water will deteriorate the furniture.

All bathrooms should be well ventilated with a suitable extractor fan.

Clean with a soft damp cloth only.

Use a wax free polish if one must be used.

For removal of lime scale deposits use a suitable proprietary cleaner. If necessary test on an inconspicuous area first.

##### Please DO NOT...

Do not scrub or scour

Do not use abrasive cleaning agents