

STAGE 4. Installing the Glass Door(s). (Continued)

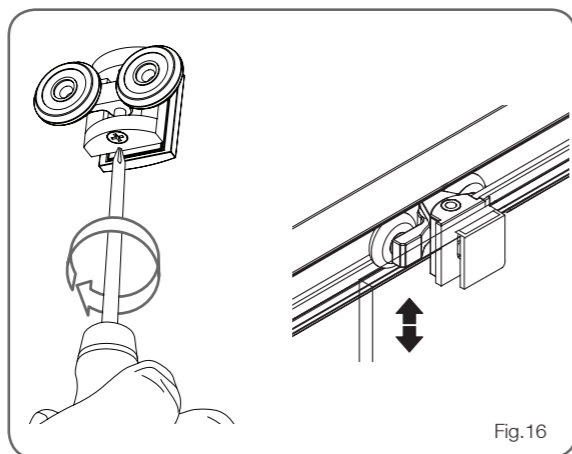
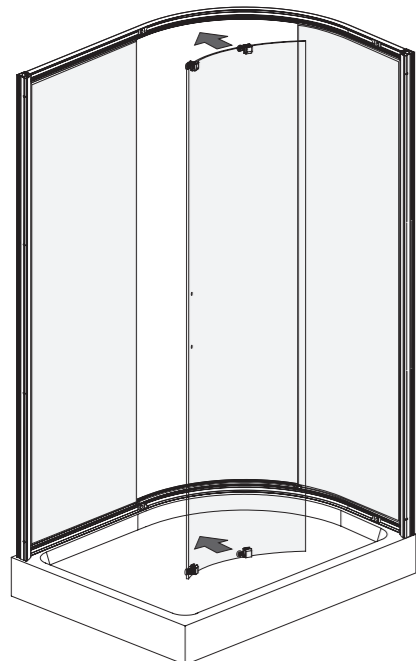


Fig.16

1. Position the bottom (spring loaded) rollers into the lower profile. The door can then be lifted and the top rollers positioned in the top profile.
2. Using a screw driver locate the screw on the underside of the top rollers and adjust up and down mechanism (See Fig.16) to ensure the door is level and slides easily.

STAGE 5. Fit Handles, End Caps and Seals

Once the door has been securely fitted in place the handles will need to be fitted to the glass. Then the end caps for frame profiles can be fitted. Follow instructions below.

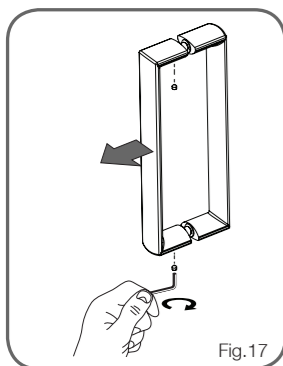


Fig.17

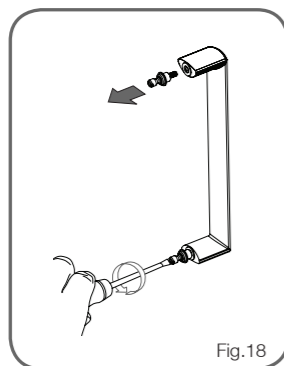


Fig.18

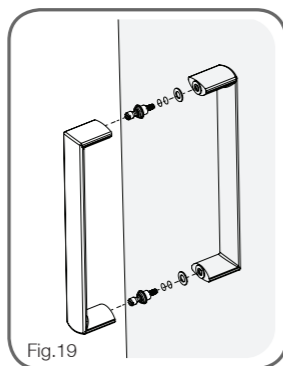


Fig.19

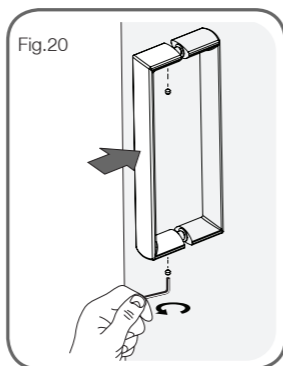


Fig.20

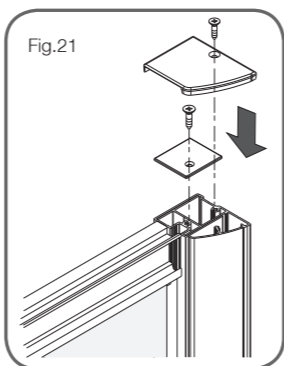


Fig.21

1. Using the allen key supplied loosen the grub screws in the handles and separate the two. (See Fig.17)
2. Unscrew the brass fixing boss from the handle (See Fig.18). Take care with the plastic washers.
3. Insert a brass fixing boss through the handle holes in the glass door, with a plastic washer either side of the glass (See Fig.19). Screw each fixing boss into the handle.
4. Position the other handle onto the brass fixing bosses and secure using the grub screws (See Fig.20). DO NOT leave the handle in position without securing it with the grub screws as it could fall off and damage the shower tray.
5. The next step is to apply the cover caps on the top of the wall profiles and panel profiles. (See Fig.21.).
6. Attach the long vertical seals to the edge of the fixed panels and the door edge.

STAGE 7. Seal the Enclosure

Below is a guide on how to seal the enclosure once it has been installed.

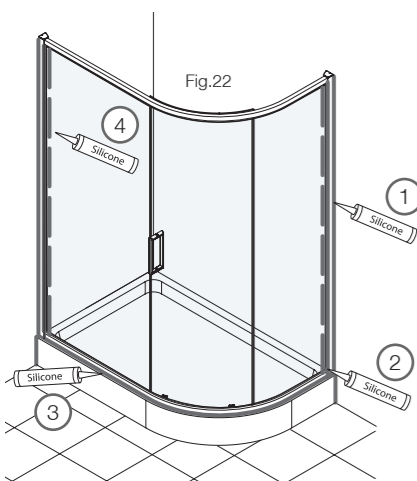


Fig.22

Using a good quality silicone sealant (Not provided), seal the enclosure to the wall and tray along the joints illustrated below and in Fig 22.

1. The outside vertical enclosure - to - wall joint
2. The wall mounted profile - to - glass panel joint
3. The outside perimeter of enclosure - to - tray joint
4. The inside vertical enclosure - to - wall joint

NOTE: Do not apply silicone sealant on the inside of the tray

WARNING: Do not use the enclosure for 24 hours after sealing

Please retain for future reference

Before you start

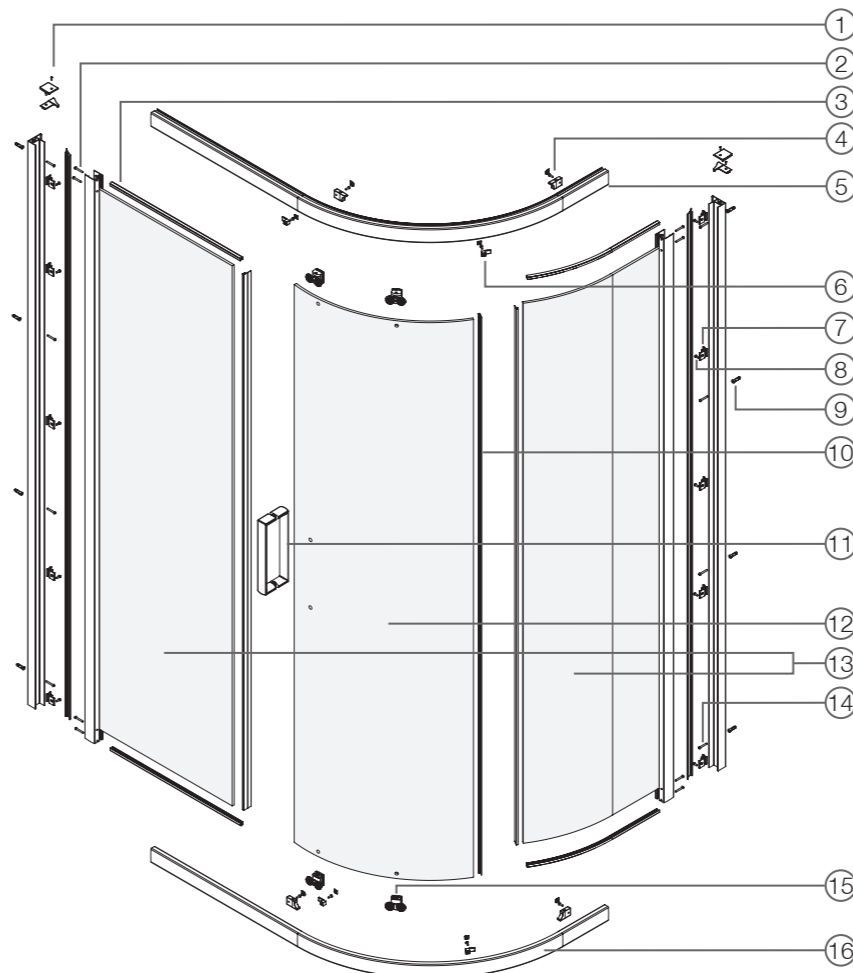
Please check that all components shown below are present and check for any defects before installation begins. (Please report any missing or damaged parts to Tavistock at the address found at the bottom of the page).

It is also important to ensure the following prior to installation:

- The shower tray is level in all directions
- The enclosure adjustment sizes and door sizes are suitable for the installation site.
- The walls have been sufficiently water proofed using ceramic tiles or alternative wall sealant (not supplied).
- Tiles should extend at least to the edge of the shower tray and a minimum of 2 metres upwards from the top of the shower tray.
- The shower tray has been sufficiently water proofed around the rim using a silicone sealant (not supplied)

Wall plugs supplied are only suitable for solid stone / brick wall. For plasterboard walls use specialist wall plugs, If in any doubt please consult an expert.

Maximum extension for this enclosure is 20 mm per side. If further adjustment is required; extension profiles are available. For more information contact customer services at below address.



1. Wall profile cover cap assembly
2. Rail profile fixing screws (x8)
3. Plastic sealant profile
4. Roller stop assembly
5. Top rail profile
6. Glass panel clip
7. Plastic trim clip (x10)
8. Profile fixing screws (x10)
9. Wall plug
10. End plastic sealant profile
11. Door handle assembly
12. Glass Door
13. Glass side panels
14. Wall profile screw (x8)
15. Roller (2x spring / 2x Adjustable)
16. Bottom rail profile

**TIP:** Take time to familiarise yourself with the components within this enclosure prior to installation.

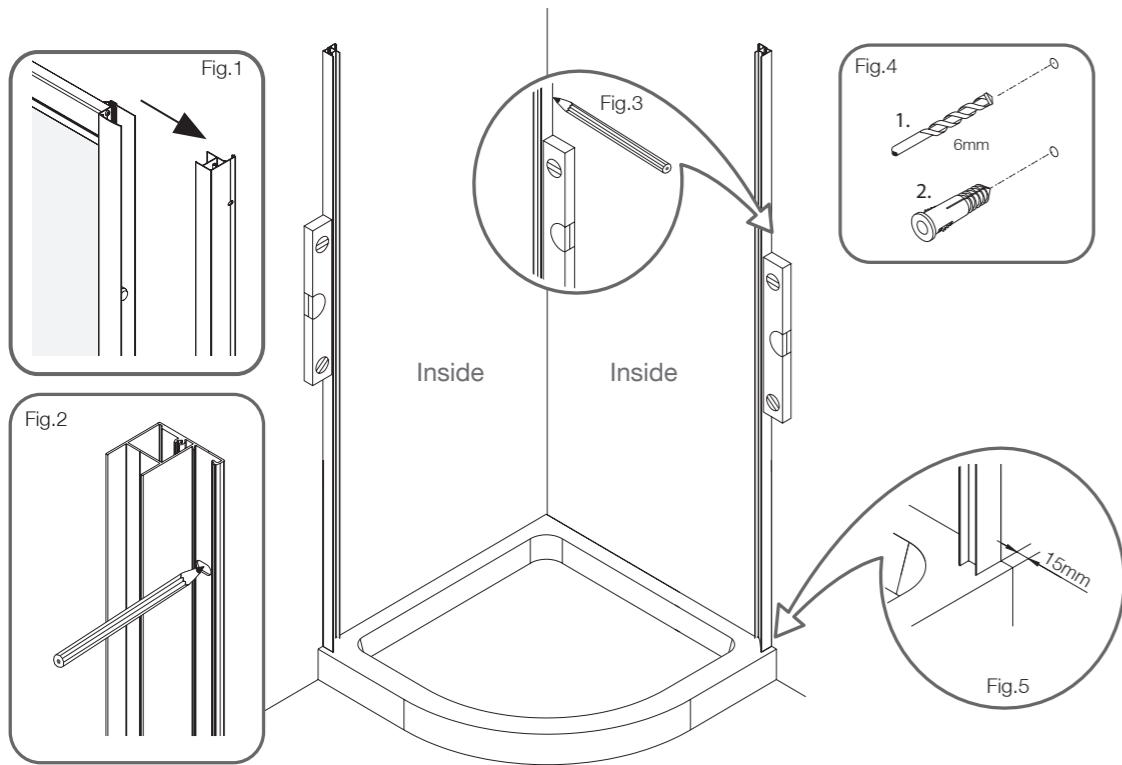
Important Safety Information

Glass supplied with this enclosure is toughened safety glass in accordance with British Safety Standards. It is very important to handle the glass components with great care before and during installation. Wear suitable eye protection when drilling. Take care when using power tools near water - the use of a residual current device (RCD) is recommended. Care is also needed when drilling into walls to avoid hidden pipes or electrical cables. It is strongly recommended that safety glasses are worn when drilling and suitable protective footwear is worn when moving large panels.

Aftercare and Cleaning

Regularly wipe down the glass and metal sections using warm soapy water and a damp cloth or sponge. DO NOT allow water to remain on glass or metal sections for long periods of time, DO NOT allow the build up of limescale on any surface of the enclosure. DO NOT use abrasive cleaners/scourers or powerful detergents when cleaning the enclosure.

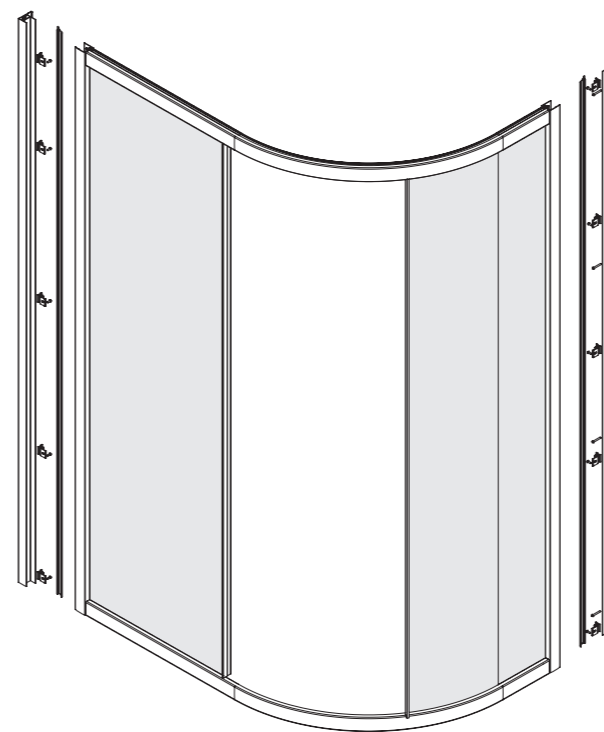
### STAGE 1. Mark the Enclosure Position



1. Remove wall profiles from the panel profiles (See Fig.1)
2. Position against the wall as shown in diagram (Left). Profiles should be approximately 15mm from edge of shower tray (See Fig.5).
3. Using a spirit level ensure the profiles are vertical and mark the outside line for future reference (See Fig.3).
4. Mark the drill positions (See Fig.2)
5. Drill the marked holes using a 6mm drill bit, then install the wall plugs (Fig. 4).
6. Do not screw wall profiles to the wall at this stage.

### STAGE 3. Securing the Profiles into Position

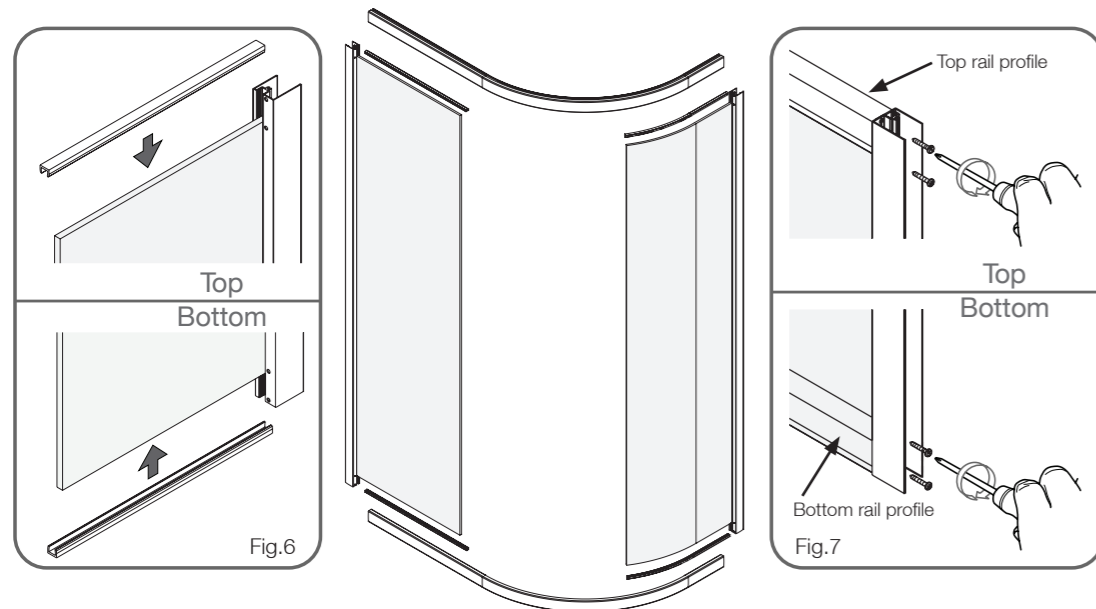
The next step is to attach the assembled frame of the enclosure to the wall profiles and then fix the whole assembly in place. Follow the instructions below



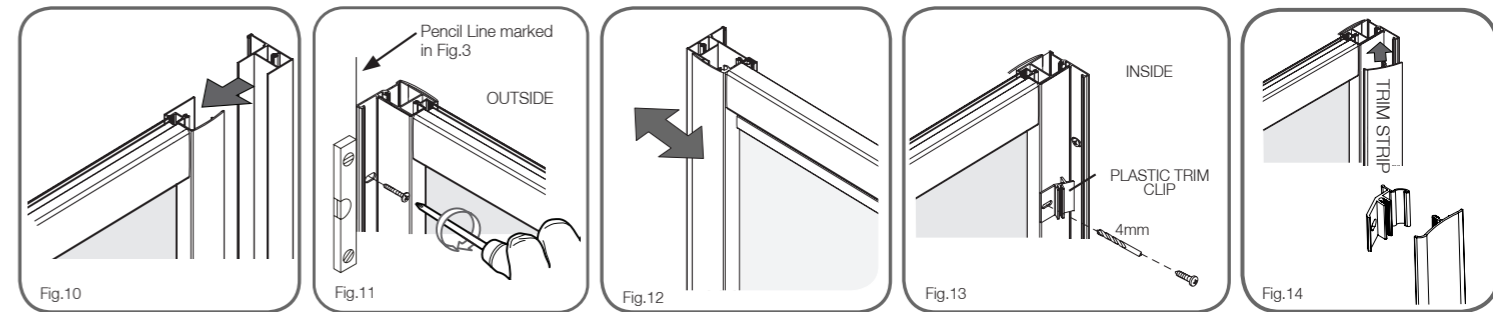
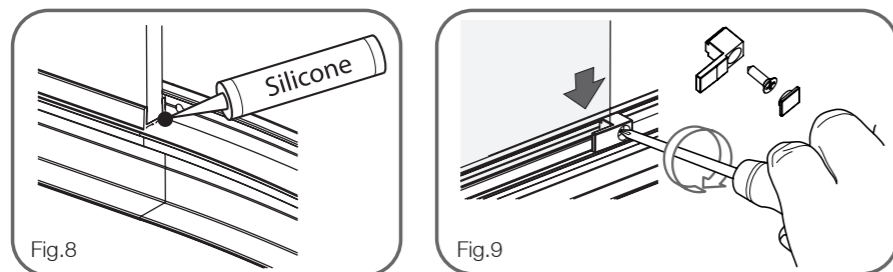
1. Slot the wall profiles back into the glass panel profiles (See Fig.10)
2. Position the entire enclosure frame on the shower tray and position the wall profiles in place on the walls using the lines marked in stage 1 (Fig.3) as reference.
3. With the screws provided fix the wall profiles to the wall plugs inserted in stage 1. (See Fig.11).
4. It may be necessary to adjust the wall profile out from the glass panel profile to allow for out of true walls and various tile thicknesses (See Fig.12). The maximum adjustment is 20mm each side. Ensure adjustment spacing is equal at both ends of the enclosure.
5. Attach a plastic trim clip into position (See Fig.13). Ensure it has located into the wall profile properly and they are in the correct orientation (See Fig. 13 and 14).
6. Using the bit supplied drill a hole through the elongated slot in the plastic trim clip (See fig 13) ensuring that a hole is pierced through both profiles.
7. Insert the profile fixing screw supplied.
8. Repeat this process so there are 5 evenly spaced screws connecting the profiles at both ends of the enclosure. Start by fixing one screw at each end to secure the profiles in position.
9. Position the trim strip in place and firmly push it in until it clips into all the trim clips (See Fig.14). NOTE: Ensure the trim strips are in the correct orientation (See Fig.14). Trim strips can be removed by pulling back out of the clips if required.

### STAGE 2. Assemble the Framework

The next stage is to fix together the fixed glass panels with the top and bottom rail profiles. Ensure you have a tube of silicone for this stage. Follow the instructions below:

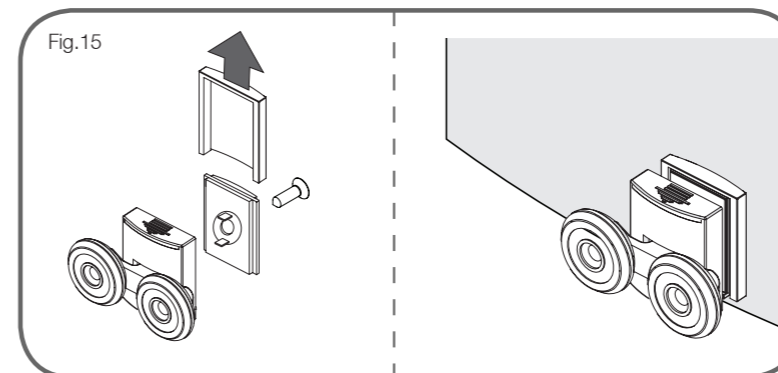


1. Attach all the correct plastic seals to the top and bottom of the fixed glass panels (See Fig.6).
2. Screw through the fixed panel profiles at both ends to attach the bottom and top rail profiles. (See Fig. 7)
3. Apply some silicone to the ends of the plastic seal profiles to ensure it's fully sealed and water proof. (See Fig. 8)
4. Loosen the glass panel clips (if necessary) and insert the glass side panels. Tighten the glass panel clips to fix in place. (See Fig.9)



### STAGE 4. Installing the Glass Door(s).

Once the enclosure frame and fixed glass panels have been securely fitted into position. The next step is to hang the sliding glass doors on the tracking slots found on the top and bottom rails. Please follow the instructions below.



1. The next step is to attach the rollers to the glass door by sliding off the cover cap, unscrewing the assembly then reassembling it through the holes positioned at the top and bottom edges of the glass door. After they have been tightly screwed to the glass door ensure the cover caps have been replaced (Fig.15 demonstrates the assembly) Ensure the rollers are on the outside of the glass.

**IMPORTANT**  
The two spring loaded rollers must be fixed to the bottom edge of the door and the adjustment rollers must be fixed to the top edge.