

# REALM - RE70AL

## ILLUMINATED MIRROR WITH RECHARGING SOCKET

### INSTALLATION & AFTERCARE INSTRUCTIONS

#### Electrical Safety Instructions

All fittings must be installed by a competent person, in accordance with current IEE wiring regulations.

If in doubt consult a qualified electrician.

#### Important

Always switch off the electrical supply at the mains during installation and maintenance. It is recommended that the fuse is withdrawn or the circuit breaker is switched off for the necessary circuit before installation commences.

The product must be installed with a minimum distance of 150mm between the infrared sensor and an adjacent wall or obstruction to ensure correct function of the sensor.

Fitting in Bathrooms is subject to the appropriate zone in accordance with IEE Regulations. This product is suitable for zone 2 and outside zones. IT IS NOT suitable for installation in Zone 0 or Zone 1. It is also not suitable for installation in saunas, steam rooms or shower cubicles. This product is only suitable for permanent installation. DO NOT connect to a trailing plug and socket outlet. Although this product has an Ingress Protection rating of IP44 it is only suitable for indoor use. Do not attach the product to surfaces that are damp or otherwise electrically conductive.

#### Installation Care & Safety

Wear suitable eye protection when drilling. Take care when using power tools near water - the use of a residual current device (RCD) is advised. Beware of hidden cables or pipes. Take care if drilling on tiled surfaces in case the drill slips. A piece of masking tape applied to the wall before marking out the fixing holes will stop the drill from wandering.

DO NOT strike glass components with hard or pointed items.

DO NOT place very hot or very cold items against or in close proximity to glass surfaces unless an adequately thick insulation material is used to prevent such items coming in contact with the glass.

The nominal thickness of the mirror glass used in this product is 5mm and is film backed for safety. If the glass becomes chipped or broken replace immediately.

This product should be positioned well away from curtains and other fabrics. Never cover the mirror. This product is heated, we recommend that it is turned off after use and should never be left on for prolonged periods of time

This product could be dangerous and is only to be installed by a competent person.

#### Cleaning

It is recommended that the unit is cleaned with a soft, dry, non abrasive cloth when turned off. Never use cleaning agents or abrasive materials on any type of surface finish. Do not allow moisture to come into contact with the electrical components.

#### Compliance

This product complies with all relevant British and European safety standards

#### Wiring

This product is manufactured to class I category and must have an earth connection

COLOUR CODING:

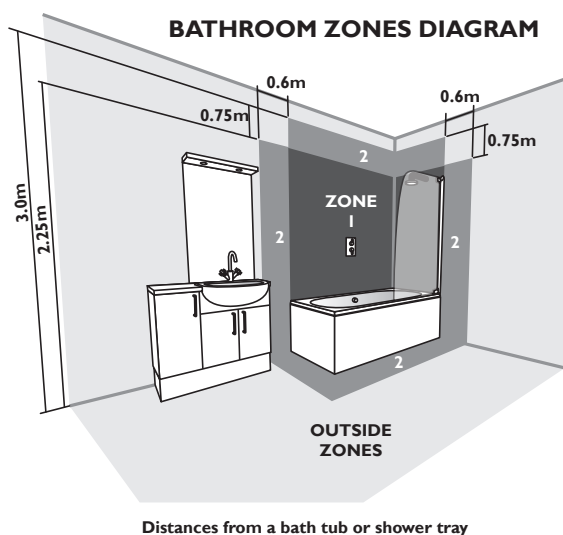
L - Live = Brown

N - Neutral = Blue

⊕ - Earth = Green & Yellow

#### Lights

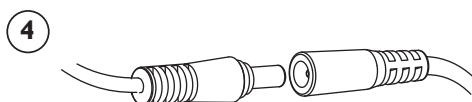
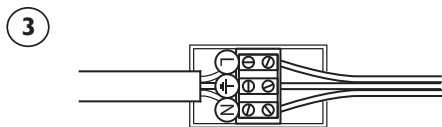
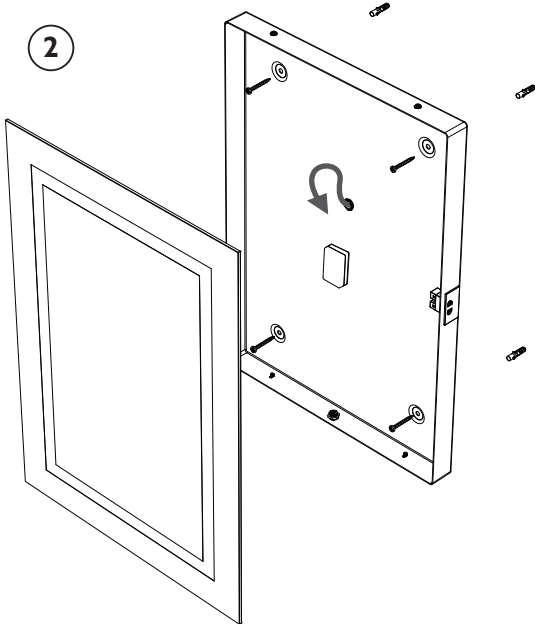
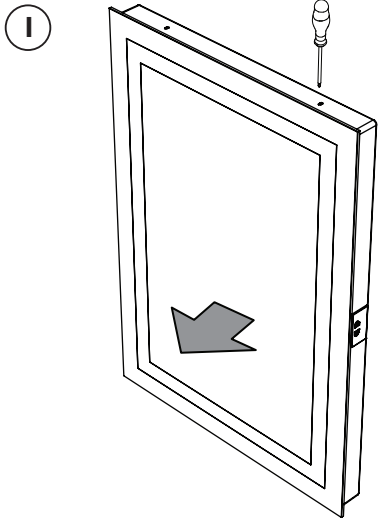
To obtain a replacement LED lamp if faulty or broken contact customer services (see details at foot of page) quoting product code.



# REALM - RE70AL

## ILLUMINATED MIRROR WITH RECHARGING SOCKET

Mirror for illustrative purposes only.  
Please match your components to the relevant diagram



### Installation Procedure

The wall surface must be of suitable strength and construction.

1) Carefully remove the mirror by unfastening the retaining screws on the top and bottom of the mirror body and remove from the main body. The heated mirror pad should be disconnected by separating the plug. Place the mirror, screws and washers in a safe place for now.

2) Mark the desired height of the mirror and draw a horizontal line on the wall (using a spirit level). Holding the mirror body in place on the horizontal line, mark off all 4 holes in the back of the mirror body. Also mark off where the electrical supply cable must be placed in case this needs to be chased out locally for the installation. Place the mirror body to one side and drill the holes as necessary for the wall plugs. Insert the wall plugs and screw the mirror body in position having fed the power supply cable through the rubber grommet in the mirror body. Make sure that all screws are secure.

Note: Wall plugs provided are suitable for Stone or Brick walls. For other wall types use appropriate wall plugs. If in doubt consult an expert.

3) Ensure that the electrical supply is turned off at the mains. Remove the cover from the connection box inside the mirror body to allow the electrical connections to be made as follows:

**THIS PRODUCT IS MANUFACTURED TO CLASS I CATEGORY AND MUST HAVE AN EARTH CONNECTION.**

**COLOUR CODING:**

**L - Live = Brown**

**N - Neutral = Blue**

**⊕ - Earth = Green & Yellow**

Strip wires to a suitable length. **DO NOT** connect to a plug & socket outlet.



**! IF IN DOUBT CONSULT YOUR ELECTRICIAN !**

Strip the mains PVC supply cable as necessary. Thread the power supply through the rubber grommet on the switch box and make the necessary connections in accordance with the current IEE Regulations.

Firmly tighten all terminal connections. Make sure that the cable is clamped securely in the cord anchor inside the connection box. Refasten the cover on the connection box making sure that it fits securely.

**IMPORTANT:** Loose connections can lead to over heating. Excessive temperatures may lead to scorching of the plastic components, and in extreme cases may even melt. Charring of components is always a consequence of faulty installation or maintenance, and any claims are excluded from the warranty.

4) Reconnect the heated demister pad.

5) Replace the mirror and its frame inside the body, aligning the holes. Make sure that the glass fits completely flat on the face of the body. Fasten with the screws and washers removed in stage 1. Turn back on the electrical supply so that your Mirror is operational.

### Operating Instructions

- To turn ON or OFF the LEDs, wave the hand across the IR sensor.
- The demister pad will be ON when the lights are. **DO NOT** leave on for prolonged periods of time.