





WELCOME

Looking for **BATHROOM INSPIRATION**? Look no further! Tavistock's extensive range includes bathroom furniture, contemporary showers and shower enclosures, sanitaryware and taps. We also have a **GREAT CHOICE** of finishing touches, from mirrors and cabinets to toilet seats and bath panels. So whether you're a get-up-and-go shower lover, someone who takes their 'me' time seriously, a born organiser or indeed all of the above, we have a host of products which will suit your individual needs perfectly. Browse through our catalogue for **PRODUCT INSPIRATION**, useful design advice and **CREATIVE SOLUTIONS** to help you craft your personal idea of bathroom heaven.



Create your
**Bathroom
Heaven**

At Tavistock we are extremely proud of our products and our confidence in their quality is such that we can offer extended guarantees against manufacturing defects on many of them, including a **5 YEAR GUARANTEE** on all taps, a **10 YEAR GUARANTEE** on all furniture and showers, a **20 YEAR GUARANTEE** on all sanitaryware and shower trays and a fantastic **LIFETIME GUARANTEE** on our OXYGEN|8 shower enclosures. Many of our toilet seats also come with a lifetime guarantee. So dive right in and take a look for yourself...



DESIGN, CREATE **INSPIRE**

All Tavistock products are designed at our offices in the beautiful spa city of Bath. From here we control every stage of the product life cycle.

We're not just about bathroom furniture - we offer a **ONE STOP SHOP** as our extensive range of product also includes sanitaryware, shower valves, taps, cloakroom solutions as well as a range of contemporary shower enclosures. For those **FINISHING TOUCHES** we've got a great choice of mirrors, cabinets, toilet seats and bath panels. Perfect for an instant bathroom revamp.

Our highly experienced team of researchers, developers and technical experts are constantly monitoring new trends and rigorously testing **ADVANCEMENTS** in technology.

With Tavistock, you can count on the highest levels of service and reliability, but what makes us special is our **IN-HOUSE DESIGN TEAM**. Excellent design is of the utmost importance to us, so we design all of our products in-house to ensure our perspective remains fresh and innovative. We source **OUTSTANDING** quality materials and craftsmanship so that every Tavistock product not only looks good but fulfils its purpose, time after time.

With extensive guarantees across our entire range, you can choose every Tavistock product with complete and utter confidence.

CONTENTS

JUST IN



Array & Match Furniture
Introducing the new additions to the Tavistock furniture range. See pages 08 - 19 for further details.



PLUS...

Courier Furniture
New finishes and isocast basins with integrated worktops. See pages 26 - 31 for further details.



BEST SELLERS



Structure Sanitaryware & Blaze Taps

More information on the popular Structure range is available on pages 84 - 87. Coordinate with the Blaze tap which can be found on page 176.

Furniture 06

Array	08
Match	16
Lansdown	20
Courier	26
Tempo	32
Compass	36
Studio	40
Equate	44
Edge	50
Q60	54
Desire	58
Impact	62
Swift	66
Kobe	70
Opal	76
Aspen	80

Sanitaryware 82

Structure	84
Vitoria	88
Ion	94
Q60	98
Vibe	102
Micra	106
Semi-Countertop Basins	112
Wall Hung Pans	112
Back to Wall Pans	113
Cisterns	114
Wall Hung Frames & Push Buttons	114

Shower Enclosures 116

Sliding Door Quadrant	118
Straight Hinged Door	120
Sliding Bow Quadrant	122
Off-Set Sliding Door Quadrant	124
Straight Sliding Door	126
Hinged Door Quadrant	128
Bi-Fold	130
Walk-in Panels & Enclosures	132
Deflector Panels	134
Bath Screens	138
Shower Trays	139

All UK prices are inclusive of VAT at 20%



Visit the Tavistock website for more information on Tavistock products or to download PDF versions of our brochure www.tavistock-bathrooms.co.uk

Find your nearest Tavistock retailer by scanning the QR code with your mobile device.

Showers 140

Varsity	142
Quantum	146
Index	150
Logic	153
Kinetic	154

Taps 156

Revive	158
Solace	160
Strike	162
Melody	164
Voice	166
Q60	168
Hype	170
Lift	172
Kick	174
Blaze	176
Siren	178
Index	180
Logic	182
Kinetic	184
Cruz	186
Varsity	188
Wastes	190

Cabinets 192

Dynamic	194
Conduct	196
Balance	198
Observe	200
Idea	202
Move	204
Detail	206

Mirrors 208

LED	210
Backlit	215

Bath Panels 220

Toilet Seats 222

Technical Information

Furniture	224
Sanitaryware	230
Shower Trays	236
Showers	238
Taps	244
Cabinets	248
Mirrors	249

NEW RANGES 2015





INSPIRING

FURNITURE

Show your bathroom some love. Create a warm, welcoming space with our beautifully crafted furniture. It isn't just about clearing away the clutter - the right furniture will define your bathroom. Whether you prefer the gleam of high gloss white, the glamour of black, or the warmth of a real wood finish, you'll find a style that is right for you. Look out for special touches such as soft close doors and drawers and integrated handles.



ARRAY

Let your **INDIVIDUALITY** shine with ultra-contemporary Array. This **VERSATILE** range is a collection of units which can work together to give **MANY DIFFERENT DESIGNS** - one is sure to be just what you are looking for.





ARRAY FEATURES & FINISHES

Basin & Worktops

Array's 550mm basin and worktops in three sizes are manufactured from isocast material with a modern matt finish. This makes for extremely durable worktops which can be cut to suit the basin positioning on installation.

Units

Array wall mounted drawer and open storage units are a space efficient 425mm deep and made from a super matt lacquered real wood veneer. Drawer units are soft close, to give a quiet controlled closure, and are finished with a sleek full width chrome handle. A complementary wall hung storage unit completes this extremely flexible, configurable range.

10 year guarantee

All Tavistock furniture is made from the very best quality materials and manufacturing techniques, and such is our confidence that we can offer a 10 year guarantee on all furniture units.

Finish options







ARRAY

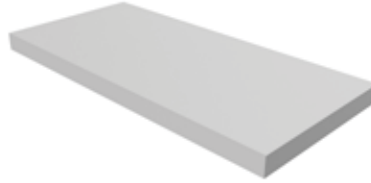
UNITS & CONFIGURATIONS

550MM ISOCAST BASIN



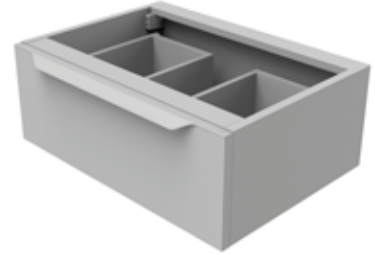
AB550W 550mm Isocast Basin £199.00
550(w) x 70(h) x 400(d)mm

ISOCAST WORKTOPS



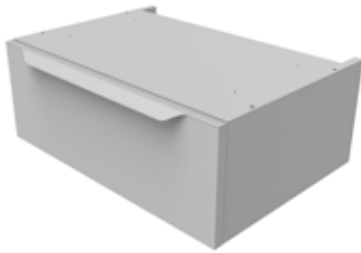
AT600W	600mm Isocast Worktop 600(w) x 50(h) x 425(d)mm	£155.00
AT900W	900mm Isocast Worktop 900(w) x 50(h) x 425(d)mm	£185.00
AT1200W	1200mm Isocast Worktop 1200(w) x 50(h) x 425(d)mm	£235.00

600MM DRAWER UNIT (with cut-out)



ATD600LJ	600mm Unit (cut-out) Light Java	£245.00
ATD600DJ	600mm Unit (cut-out) Dark Java 595(w) x 225(h) x 425(d)mm	

600MM DRAWER UNIT



ALD600LJ	600mm Unit Light Java	£245.00
ALD600DJ	600mm Unit Dark Java 595(w) x 225(h) x 425(d)mm	

300MM OPEN UNIT



AOU300LJ	300mm Open Unit Light Java	£155.00
AOU300DJ	300mm Open Unit Dark Java 300(w) x 450(h) x 425(d)mm	

600MM OPEN UNIT



AOU600LJ	600mm Open Unit Light Java	£185.00
AOU600DJ	600mm Open Unit Dark Java 600(w) x 450(h) x 425(d)mm	

CREATING YOUR ARRAY BATHROOM

The key to our contemporary modular Array range is its flexibility. The six core units can be put together in a wide variety of configurations, giving you many different basin unit options. The choice is yours - from a single wall hung basin unit, with or without open storage, to a luxurious 1200mm 4 drawer 'his and hers' design.

Isocast worktops are available in 600, 900 and 1200mm lengths and are supplied uncut so that they can be prepared for the correct positioning of the isocast basin on installation.

There are two types of drawer unit, one of which has a cut-out for plumbing which should always be used directly underneath

the basin. The other optional drawer unit, without cut-out, can be used either stacked underneath or alongside if desired to combine to make a double drawer unit. Alternatively use it with a 300 or 600mm open storage unit to give a modern look which is just that little bit different. These open units have a glass shelf which adds to the contemporary styling.

The Array storage unit can be used left or right handed.

For a full overview of the variety of configurations possible when using Array see overleaf on pages 14 and 15.

330MM STORAGE UNIT



AWCLJ	300mm Storage Unit Light Java	£345.00
AWCDJ	300mm Storage Unit Dark Java 330(w) x 1200(h) x 280(d)mm	

600MM DRAWER UNIT



Codes AB550W, AT600W, ATD600LJ
600(w) x 340(h) x 425(d)mm

Total £599.00

600MM 2X DRAWER UNIT



Codes AB550W, AT600W, ATD600LJ, ALD600LJ
600(w) x 570(h) x 425(d)mm

Total £844.00

600MM DRAWER UNIT & 300MM OPEN UNIT



Codes AB550W, AT900W, ATD600LJ, AOU300LJ
900(w) x 570(h) x 425(d)mm

Total £784.00

600MM 2X DRAWER UNIT & 300MM OPEN UNIT



Codes AB550W, AT900W, ATD600LJ, ALD600LJ, AOU300LJ
900(w) x 570(h) x 425(d)mm

Total £1,029.00

600MM DRAWER UNIT & 600MM OPEN UNIT



Codes AB550W, AT1200W, ATD600LJ, AOU600LJ
1200(w) x 570(h) x 425(d)mm

Total £864.00

600MM 2X DRAWER UNIT & 600MM OPEN UNIT



Codes AB550W, AT1200W, ATD600LJ, ALD600LJ, AOU600LJ
1200(w) x 570(h) x 425(d)mm

Total £1,109.00

1200MM TWIN DRAWER UNIT (single basin)



Codes AB550W, AT1200W, ATD600LJ, ALD600LJ
1200(w) x 340(h) x 425(d)mm

Total £924.00

1200MM TWIN DRAWER UNIT (double basin)



Codes AB550W(x2), AT1200W, ATD600LJ(x2)
1200(w) x 340(h) x 425(d)mm

Total £1,123.00

300MM STORAGE UNIT



Codes AWCLJ
330(w) x 1200(h) x 280(d)mm

Total £345.00

1200MM TWIN 2X DRAWER UNIT (single basin)



Codes AB550W, AT1200W, ATD600LJ, ALD600LJ(x3)
1200(w) x 570(h) x 425(d)mm

Total £1,414.00

1200MM TWIN 2X DRAWER UNIT (double basin)



Codes AB550W(x2), AT1200W, ATD600LJ(x2), ALD600LJ(x2)
1200(w) x 570(h) x 425(d)mm

Total £1,613.00

600MM DRAWER UNIT



Codes AB550W, AT600W, ATD600DJ
600(w) x 340(h) x 425(d)mm

Total £599.00

600MM 2X DRAWER UNIT



Codes AB550W, AT600W, ATD600DJ, ALD600DJ
600(w) x 340(h) x 425(d)mm

Total £844.00

600MM DRAWER UNIT & 300MM OPEN UNIT



Codes AB550W, AT900W, ATD600DJ, AOU300DJ
900(w) x 570(h) x 425(d)mm

Total £784.00

600MM 2X DRAWER UNIT & 300MM OPEN UNIT



Codes AB550W, AT900W, ATD600DJ, ALD600DJ, AOU300DJ
900(w) x 570(h) x 425(d)mm

Total £1,029.00

600MM DRAWER UNIT & 600MM OPEN UNIT



Codes AB550W, AT1200W, ATD600DJ, AOU600DJ
1200(w) x 570(h) x 425(d)mm

Total £864.00

600MM 2X DRAWER UNIT & 600MM OPEN UNIT



Codes AB550W, AT1200W, ATD600DJ, ALD600DJ, AOU600DJ
1200(w) x 570(h) x 425(d)mm

Total £1,109.00

1200MM TWIN DRAWER UNIT
(single basin)

Codes AB550W, AT1200W, ATD600DJ, ALD600DJ
1200(w) x 340(h) x 425(d)mm

Total £924.00

1200MM TWIN DRAWER UNIT
(double basin)

Codes AB550W(x2), AT1200W, ATD600DJ(x2)
1200(w) x 340(h) x 425(d)mm

Total £1,123.00

300MM STORAGE UNIT



Codes AWCDJ
330(w) x 1200(h) x 280(d)mm

Total £345.00

1200MM TWIN 2X DRAWER UNIT
(single basin)

Codes AB550W, AT1200W, ATD600DJ, ALD600DJ(x3)
1200(w) x 570(h) x 425(d)mm

Total £1,414.00

1200MM TWIN 2X DRAWER UNIT
(double basin)

Codes AB550W(x2), AT1200W, ATD600DJ(x2), ALD600DJ(x2)
1200(w) x 570(h) x 425(d)mm

Total £1,613.00



MATCH

If it's a sleekly minimal solution for a **SMALL SPACE** you need, then look no further than Match. A basin unit cleverly paired with a back to wall unit in a mere 1m run, topped by an isocast basin with integrated worktop for a **SEAMLESS CONTEMPORARY LOOK**.





MATCH FEATURES & FINISHES

Isocast basin with integrated worktop

The Match 1m basin with an integrated worktop area is extremely practical. It is manufactured using Isocast, a mineral substrate topped with a tough resilient gelcoat to give a glossy finish which is both durable and easy to clean. The look is seamless and modern. A basin depth of 380mm makes it very space efficient and it is available either left or right-handed to suit your room layout.

Unit

One compact 1 metre unit which incorporates a 500mm basin unit and a 500mm back to wall unit. Available in a contemporary cross-cut style textured wood finish as well as gloss white, it is set off by touches of chrome on the discreet door handles and toilet panel trim. Installation is very easy, with no cutting required to fit the basin and using the Tavistock Vortex cistern (see page 114).

10 year guarantee

All Tavistock furniture is made from the very best quality materials and manufacturing techniques, and such is our confidence that we can offer a 10 year guarantee on all furniture units.

Finish options



MATCH 1000MM FURNITURE RUN - LEFT



MATLW	1000mm Semi-Countertop & Back to Wall Unit 1000(w) x 850(h) x 270(d)mm	£375.00
MA1BL	1000mm Isocast Basin - Left 1000(w) x 380(d)mm	£235.00
Total		£610.00

MATCH 1000MM FURNITURE RUN - RIGHT



MATRW	1000mm Semi-Countertop & Back to Wall Unit 1000(w) x 850(h) x 270(d)mm	£375.00
MA1BR	1000mm Isocast Basin - Right 1000(w) x 380(d)mm	£235.00
Total		£610.00

GLOSS WHITE FINISH OPTIONS

MATCH 1000MM FURNITURE RUN - LEFT



MATLOR	1000mm Semi-Countertop & Back to Wall Unit 1000(w) x 850(h) x 270(d)mm	£375.00
MA1BL	1000mm Isocast Basin - Left 1000(w) x 380(d)mm	£235.00
Total		£610.00

MATCH 1000MM FURNITURE RUN - RIGHT



MATROR	1000mm Semi-Countertop & Back to Wall Unit 1000(w) x 850(h) x 270(d)mm	£375.00
MA1BR	1000mm Isocast Basin - Right 1000(w) x 380(d)mm	£235.00
Total		£610.00

OREGON OAK FINISH OPTIONS



— LANSDOWN —

Bring back **CLASSIC STYLE** with Lansdown. Traditional 5 piece doors, grooved side panels and a **HAND PAINTED FINISH** in either linen white or pebble grey all contribute to the **TIMELESS FEEL**.





LANSDOWN FEATURES & FINISHES

10 year guarantee

All Tavistock furniture is made from the very best quality materials and manufacturing techniques, and such is our confidence that we can offer a 10 year guarantee on all furniture units.

Basin units

The 550mm basin and compact 400mm cloakroom units are hand painted and feature a solid wood frame with 5 piece doors and tongue and groove feature side panels to give a classically timeless appeal.

Storage & back to wall units

A complementary storage unit and back to wall unit complete this beautifully understated range.

Soft close doors

Lansdown units feature soft close drawers and doors to give a quiet and controlled closure.

Finish options





550 FREESTANDING UNIT



LAN550B.LW	550mm Unit	£325.17
	540(w) x 745(h) x 370(d)mm	
SB900S	575mm Ceramic basin	£101.00
	570(w) x 120(h) x 390(d)mm	
Total		£426.17

400 FREESTANDING STORAGE UNIT



LAN400FC.LW	400mm Storage Unit	£319.00
	400(w) x 845(h) x 365(d)mm	

600 BACK TO WALL UNIT



LAN600BTW.LW	600mm Back to Wall Unit	£279.00
	600(w) x 845(h) x 365(d)mm	

550 FREESTANDING UNIT



LAN550B.PG	550mm Unit	£325.17
	540(w) x 745(h) x 370(d)mm	
SB900S	575mm Ceramic basin	£101.00
	570(w) x 120(h) x 390(d)mm	
Total		£426.17

400 FREESTANDING STORAGE UNIT



LAN400FC.PG	400mm Storage Unit	£319.00
	400(w) x 845(h) x 365(d)mm	

600 BACK TO WALL UNIT



LAN600BTW.PG	600mm Back to Wall Unit	£279.00
	600(w) x 845(h) x 365(d)mm	

Hand Painted
Timber
Frame

Ideal for your
Cloakroom
or En-suite

400 CLOAKROOM UNIT



LAN400C.LW	400mm Cloakroom Unit	£235.00
	393(w) x 728(h) x 337(d)mm	
LAN420C	420mm Ceramic basin	£95.00
	420(w) x 125(h) x 335(d)mm	
Total		£330.00

570 WOODEN FRAMED MIRROR



LAN600M.LW	Framed Mirror	£89.00
	570(w) x 800(h)mm	

400 CLOAKROOM UNIT



LAN400C.PG	400mm Cloakroom Unit	£235.00
	393(w) x 728(h) x 337(d)mm	
LAN420C	420mm Ceramic basin	£95.00
	420(w) x 125(h) x 335(d)mm	
Total		£330.00

570 WOODEN FRAMED MIRROR



LAN600M.PG	Framed Mirror	£89.00
	570(w) x 800(h)mm	

LINEN WHITE FINISH OPTIONS

PEBBLE GREY FINISH OPTIONS



COURIER

This sleek collection is the ultimate in **STREAMLINED SIMPLICITY**. Available in an ultra glossy wood effect or white, this wall mounted or freestanding wash unit and **SLIM CERAMIC BASIN** will immediately look at home in your bathroom.





COURIER FEATURES & FINISHES

10 year guarantee

All Tavistock furniture is made from the very best quality materials and manufacturing techniques, and such is our confidence that we can offer a 10 year guarantee on all furniture units.

Floor cupboard

The Courier floor cupboard comes fitted with attractive chrome handles. It also benefits from a reversible door to allow for left or right handed opening.

Basin choice

For a seamless contemporary look why not finish your Courier bathroom furniture with one of our new isocast basins with integrated worktop. These modern basins are extremely durable and practical, with a tough, easy-clean, glossy finish.

Alternatively use with a conventional semi-countertop basin and laminate worktop. See p112 for the full range of

semi-countertop basins and overleaf on p31 for laminate worktops, available in three lengths and two finishes.

Soft close hinges

The semi-countertop unit and floor cupboard in this range are fitted with soft close dampers which are built into the hinges to give quiet, controlled closure.

Easy installation

Courier back to wall WC and semi-countertop basin units benefit from removable fascias and plumbing voids for easy installation.

Finish options





600 SEMI-COUNTERTOP UNIT



CR6FW 600mm Unit £201.50
600(w) x 820(h) x 290(d)mm

COURIER 300 FLOOR CUPBOARD



CR30FCW 300mm Storage Unit £151.50
300(w) x 820(h) x 290(d)mm

COURIER 600 BACK TO WALL UNIT



CR6BTWW 600mm Unit £179.50
600(w) x 820(h) x 290(d)mm

600 SEMI-COUNTERTOP UNIT



See Page 112 for
Semi-Countertop
Basin Options

CR6FMG 600mm Unit £201.50
600(w) x 820(h) x 290(d)mm

COURIER 300 FLOOR CUPBOARD



CR30FCMG 300mm Storage Unit £151.50
300(w) x 820(h) x 290(d)mm

COURIER 600 BACK TO WALL UNIT



CR6BTWMG 600mm Unit £179.50
600(w) x 820(h) x 290(d)mm

ALTERNATIVE SOLID SURFACE BASIN OPTIONS WITH INTERGRATED WORKTOP



CR900L 900mm Isocast Basin **Left** £199.00
CR900R 900mm Isocast Basin **Right** £199.00



CR1200L 1200mm Isocast Basin **Left** £249.00
CR1200R 1200mm Isocast Basin **Right** £249.00
CR1200D 1200mm Isocast Basin **Double** £299.00



600 SEMI-COUNTERTOP UNIT



CR6FOR 600mm Unit £201.50
600(w) x 820(h) x 290(d)mm

COURIER 300 FLOOR CUPBOARD



CR30FCOR 300mm Storage Unit £151.50
300(w) x 820(h) x 290(d)mm

COURIER 600 BACK TO WALL UNIT



CR6BTWOR 600mm Unit £179.50
600(w) x 820(h) x 290(d)mm

OREGON OAK FINISH OPTIONS

600 SEMI-COUNTERTOP UNIT



CR6FHV 600mm Unit £201.50
600(w) x 820(h) x 290(d)mm

COURIER 300 FLOOR CUPBOARD



CR30FCHV 300mm Storage Unit £151.50
300(w) x 820(h) x 290(d)mm

COURIER 600 BACK TO WALL UNIT



CR6BTWHV 600mm Unit £179.50
600(w) x 820(h) x 290(d)mm

HAVANA OAK FINISH OPTIONS

CONTEMPORARY WORKTOP OPTIONS & INFILL PANELS

CR60LWW	600mm Slimline Worktop	White	£57.10
CR60LWSL	600mm Slimline Worktop	Slate	£57.10
CR120LWW	1200mm Slimline Worktop	White	£79.90
CR120LWSL	1200mm Slimline Worktop	Slate	£79.90
CR150LWW	1500mm Slimline Worktop	White	£91.30
CR150LWSL	1500mm Slimline Worktop	Slate	£91.30
CR3FPOR	Infill Panel 300(w) 820(h)	Oregon Oak	£32.60
CR3FPHV	Infill Panel 300(w) 820(h)	Havana Oak	£32.60
CR3FPW	Infill Panel 300(w) 820(h)	White	£32.60
CR3FPMG	Infill Panel 300(w) 820(h)	Montana Gloss	£32.60



For compatible cistern and back to wall pan options see pages 113 - 114. Quoted unit dimensions do not include height and width of basins or toilet seats.



— TEMPO —

Tempo is defined by the **SHAPELY CURVE** of its drawer or doors and its generous **BOW FRONTED** basin. In painted gloss white or a protective **SUPER MATT** lacquered real wood veneer, both perfect for bathroom use.





TEMPO FEATURES & FINISHES

10 year guarantee

All Tavistock furniture is made from the very best quality materials and manufacturing techniques, and such is our confidence that we can offer a 10 year guarantee on all furniture units.

Base units

Curve fronted basin units are finished with an elegant chrome handle which complements their shape perfectly. Available as freestanding unit or wall mounted units in a super matt lacquered, real wood veneer in light or dark java or high gloss white finish.

Soft close drawers and doors

Tempo doors are fitted with extra wide opening, soft close hinges offering easy access to your bathroom bits and pieces as well as giving controlled and quiet closure. The wall mounted drawer unit also features soft close drawer runners.

Finish options



TEMPO 650 WALL MOUNTED UNIT



TE650WW	650mm Unit 620(w) x 350(h) x 430(d)mm	£338.00
TE650C	650mm Ceramic Basin 650(w) x 45(h) x 450(d)mm	£161.50
Total		£499.50

TEMPO 650 FREESTANDING UNIT



TE650FW	650mm Unit 620(w) x 815(h) x 430(d)mm	£338.00
TE650C	650mm Ceramic Basin 650(w) x 45(h) x 450(d)mm	£161.50
Total		£499.50

GLOSS WHITE FINISH OPTIONS

TEMPO 650 WALL MOUNTED UNIT



New
Wall Mounted
Finishes Added

TE650WLJ	650mm Unit 620(w) x 350(h) x 430(d)mm	£390.00
TE650C	650mm Ceramic Basin 650(w) x 45(h) x 450(d)mm	£161.50
Total		£551.50

TEMPO 650 FREESTANDING UNIT



TE650FLJ	650mm Unit 620(w) x 815(h) x 430(d)mm	£390.00
TE650C	650mm Ceramic Basin 650(w) x 45(h) x 450(d)mm	£161.50
Total		£551.50

LIGHT JAVA FINISH OPTIONS

TEMPO 650 WALL MOUNTED UNIT



TE650WDJ	650mm Unit 620(w) x 350(h) x 430(d)mm	£390.00
TE650C	650mm Ceramic Basin 650(w) x 45(h) x 450(d)mm	£161.50
Total		£551.50

TEMPO 650 FREESTANDING UNIT



TE650FDJ	650mm Unit 620(w) x 815(h) x 430(d)mm	£390.00
TE650C	650mm Ceramic Basin 650(w) x 45(h) x 450(d)mm	£161.50
Total		£551.50

DARK JAVA FINISH OPTIONS



— COMPASS —

If you're searching for a **NEW DIRECTION**, then look no further than this super stylish wash basin unit. Compass has **SMOOTH** curved edges and a luxuriously **DEEP** ceramic basin, sure to impress, whilst the extra thick doors and robust construction show it is built to last.





COMPASS FEATURES & FINISHES

10 year guarantee

All Tavistock furniture is made from the very best quality materials and manufacturing techniques, and such is our confidence that we can offer a 10 year guarantee on all furniture units.

Base unit

The Compass 600mm freestanding unit is available in a gloss white or contemporary grey finish and features a deep ceramic basin giving generous wash space.

Soft close doors

Compass doors are fitted with soft close mechanisms to give controlled and quiet closure.

Finish options



COORDINATE WITH STRIKE BASIN MIXER



See pages 162 - 163 for the Strike tap range

COMPASS 600 FREESTANDING UNIT



CM600FW	600mm Unit 575(w) x 790(h) x 455(d)	£244.50
CM600C	600mm Ceramic Basin 600(w) x 80(h) x 475(d)	£109.50
Total		£354.00

GLOSS WHITE FINISH OPTIONS

COMPASS 600 FREESTANDING UNIT

New
Finish



CM600FG	600mm Unit 575(w) x 790(h) x 455(d)	£244.50
CM600C	600mm Ceramic Basin 600(w) x 80(h) x 475(d)	£109.50
Total		£354.00

GREY FINISH OPTIONS



STUDIO

Studio is characterised by its sturdy side panels and **EXTRA DEEP** drawers. Its **SLEEK** lines add a splash of urban sophistication for good measure. Attention to detail is paramount, down to the mitred corners and **ON TREND** super matt surface on the wood finishes.





TEMPO FEATURES & FINISHES

10 year guarantee

All Tavistock furniture is made from the very best quality materials and manufacturing techniques, and such is our confidence that we can offer a 10 year guarantee on all furniture units.

Base units

Studio double drawer base units can be freestanding or wall mounted without the plinth or a single drawer version is available in the gloss white finish. The extra deep drawers offer plenty of storage space. Light and dark java units are made from a super matt lacquered real wood veneer.

Soft close drawers

Studio's drawers are fitted with soft close mechanisms to give controlled and quiet closure.

Finish options



STUDIO 650 WALL MOUNTED UNIT



ST650WW	620mm Unit 620(w) x 450(h) x 375(d)mm	£307.00
ST650C	650mm Ceramic Basin 650(w) x 100(h) x 395(d)mm	£135.50
Total		£442.50

STUDIO 650 FREESTANDING UNIT



ST650FW	620mm Unit 620(w) x 765(h) x 375(d)mm	£484.00
ST650C	650mm Ceramic Basin 650(w) x 100(h) x 395(d)mm	£135.50
Total		£619.50

STUDIO 650 FREESTANDING UNIT



ST650FLJ	620mm Unit 620(w) x 765(h) x 375(d)mm	£540.00
ST650C	650mm Ceramic Basin 650(w) x 100(h) x 395(d)mm	£135.50
Total		£675.50

A Closer Look
At Studio
Furniture

OPTIONAL PLINTHS

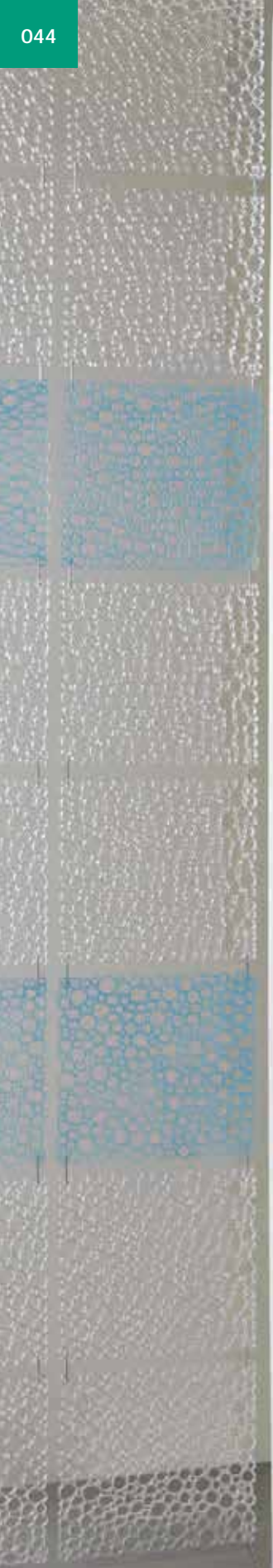


For an alternative look Studio's two drawer units can be freestanding or wall mounted without the plinth.

STUDIO 650 FREESTANDING UNIT



ST650FDJ	620mm Unit 620(w) x 765(h) x 375(d)mm	£540.00
ST650C	650mm Ceramic Basin 650(w) x 100(h) x 395(d)mm	£135.50
Total		£675.50



EQUATE

Marrying the best of **CONTEMPORARY FURNITURE DESIGN**, Equate features rounded edges and white gloss or white gloss with grey oak **ACCENT COLOUR** finish. The range offers a practical solution to the handleless trend as well as softened edges and a flared basin design.





EQUATE FEATURES & FINISHES

10 year guarantee

All Tavistock furniture is made from the very best quality materials and manufacturing techniques, and such is our confidence that we can offer a 10 year guarantee on all furniture units

Base units

Equate base units are available in four different styles - both 600mm and 700mm widths come in floor and wall mounted options.

Soft close drawers and doors

Equate doors and drawers are fitted with soft close mechanisms to give controlled and quiet closure.

Finish options





EQUATE 700 FREESTANDING UNIT



EQ7FW	700mm Unit 660(w) x 810(h) x 455(d)mm	£369.00
EQ70C	700mm Ceramic Basin 710(w) x 50(h) x 475(d)mm	£163.00
Total		£532.00

EQUATE 600 FREESTANDING UNIT



EQ6FW	600mm Unit 560(w) x 810(h) x 455(d)mm	£344.00
EQ60C	600mm Ceramic Basin 610(w) x 50(h) x 465(d)mm	£152.00
Total		£496.00

EQUATE 700 WALL MOUNTED UNIT



EQ700W	700mm Unit 660(w) x 530(h) x 455(d)mm	£326.00
EQ70C	700mm Ceramic Basin 710(w) x 50(h) x 475(d)mm	£163.00
Total		£489.00

EQUATE 700 FREESTANDING UNIT



EQ7FWA	700mm Unit 660(w) x 810(h) x 455(d)mm	£369.00
EQ70C	700mm Ceramic Basin 710(w) x 50(h) x 475(d)mm	£163.00
Total		£532.00

EQUATE 600 FREESTANDING UNIT



EQ6FWA	600mm Unit 560(w) x 810(h) x 455(d)mm	£344.00
EQ60C	600mm Ceramic Basin 610(w) x 50(h) x 465(d)mm	£152.00
Total		£496.00

EQUATE 700 WALL MOUNTED UNIT



EQ700WA	700mm Unit 660(w) x 530(h) x 455(d)mm	£326.00
EQ70C	700mm Ceramic Basin 710(w) x 50(h) x 475(d)mm	£163.00
Total		£489.00

EQUATE 600 WALL MOUNTED UNIT



EQ600W	600mm Unit 560(w) x 810(h) x 455(d)mm	£255.00
EQ60C	600mm Ceramic Basin 610(w) x 50(h) x 465(d)mm	£152.00
Total		£407.00

EQUATE 330 STORAGE UNIT



EQ3CW	330mm Storage Unit 330(w) x 1200(h) x 240(d)mm	£216.00
-------	---	---------

EQUATE 600 WALL MOUNTED UNIT



Grey Oak
Accent
Colour

EQ600WA	600mm Unit 560(w) x 810(h) x 455(d)mm	£255.00
EQ60C	600mm Ceramic Basin 610(w) x 50(h) x 465(d)mm	£152.00
Total		£407.00

EQUATE 330 STORAGE UNIT



EQ3CWA	330mm Storage Unit 330(w) x 1200(h) x 240(d)mm	£216.00
--------	---	---------



EDGE

Perfect for smaller bathrooms and **CLOAKROOMS**, Edge is both practical and versatile, with **CRISP LINES** and inbuilt handle thanks to the expertly finished doors. Wall mounted and freestanding options are available in fashionable white gloss and white gloss with grey oak detailing.



EDGE FEATURES & FINISHES

10 year guarantee

All Tavistock furniture is made from the very best quality materials and manufacturing techniques, and such is our confidence that we can offer a 10 year guarantee on all furniture units

Soft close doors

Edge doors are fitted with soft close dampers which are built into the hinges to give controlled and quiet closure. Doors are hinged on the left hand side.

Base units

Edge units are available in freestanding or wall mounted options.

Finish options



EDGE 440 WALL MOUNTED UNIT



Ideal for your
Cloakroom
or En-suite

EG450W	440mm Unit 440(w) x 612(h) x 330(d)mm	£227.00
EG45C	460mm Ceramic Basin 460(w) x 100(h) x 330(d)mm	£97.60
Total		£324.60

EDGE 440 FREESTANDING UNIT



EG45FW	440mm Unit 440(w) x 860(h) x 330(d)mm	£260.00
EG45C	460mm Ceramic Basin 460(w) x 100(h) x 330(d)mm	£97.60
Total		£357.60

GLOSS WHITE FINISH OPTIONS

EDGE 440 WALL MOUNTED UNIT



EG450WA	440mm Unit 440(w) x 612(h) x 330(d)mm	£227.00
EG45C	460mm Ceramic Basin 460(w) x 100(h) x 330(d)mm	£97.60
Total		£324.60

EDGE 440 FREESTANDING UNIT



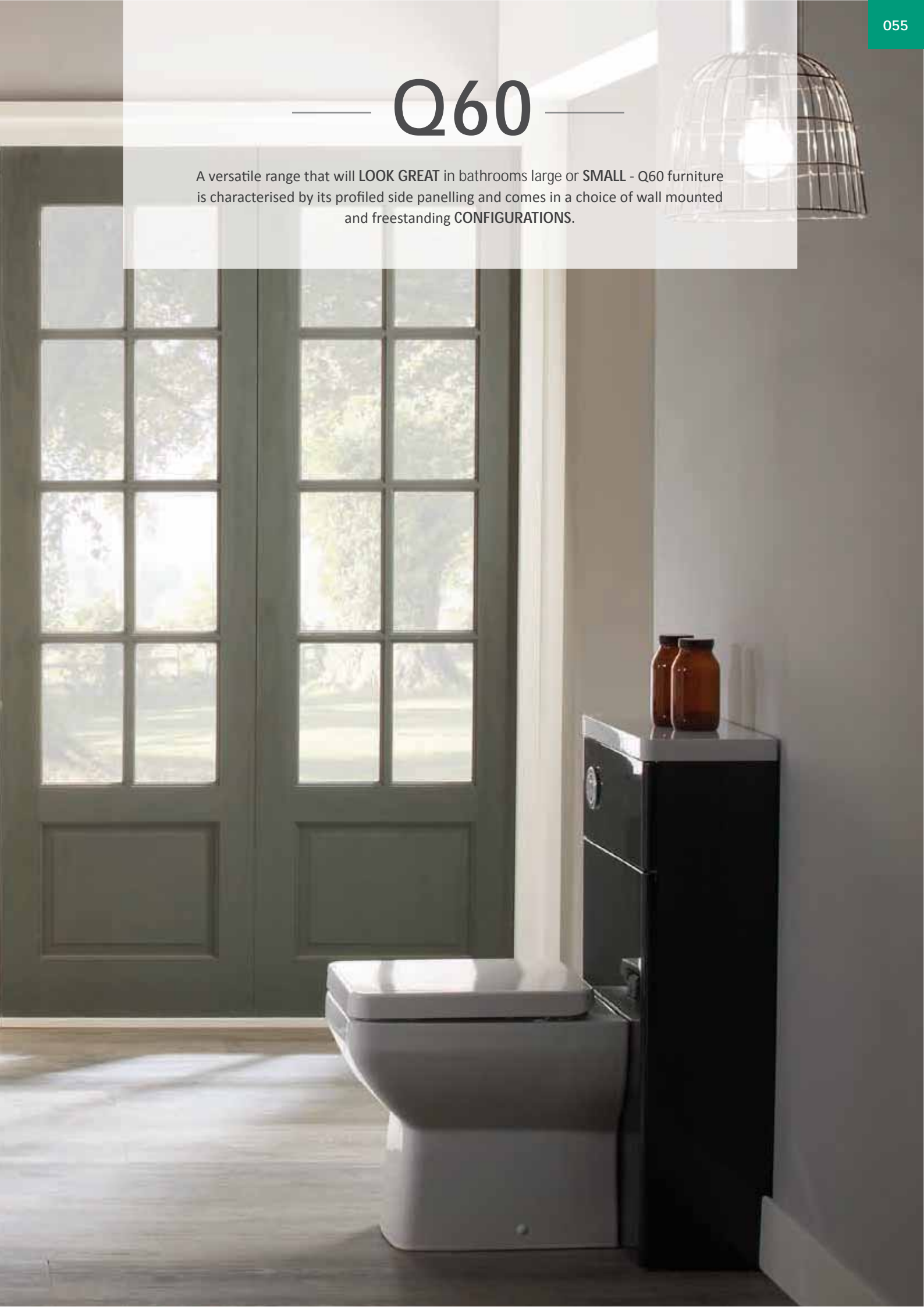
EG45FWA	440mm Unit 440(w) x 860(h) x 330(d)mm	£260.00
EG45C	460mm Ceramic Basin 460(w) x 100(h) x 330(d)mm	£97.60
Total		£357.60

WHITE/GREY OAK FINISH OPTIONS



Q60

A versatile range that will **LOOK GREAT** in bathrooms large or **SMALL** - Q60 furniture is characterised by its profiled side panelling and comes in a choice of wall mounted and freestanding **CONFIGURATIONS**.





Q60 FEATURES & FINISHES

10 year guarantee

All Tavistock furniture is made from the very best quality materials and manufacturing techniques, and such is our confidence that we can offer a 10 year guarantee on all furniture units.

Soft close technology

Q60 benefits from soft close drawers to give a quiet and controlled closure.

Flexible hanging

The Q60 wall mounted unit is fitted with adjustable wall hangers for perfect alignment.

Slim depth cloakroom furniture

Introducing the Q60 slim depth freestanding unit. With a depth of 395mm the Q60 cloakroom basin unit can save useful space in smaller bathrooms or cloakrooms.

Finish options



Q60 500 BACK TO WALL UNIT



Q6BTWW 500mm Unit & worktop £216.00
500(w) x 860(h) x 218(d)mm

Q60 575 WALL MOUNTED UNIT



Profiled
Side
Panelling

Q600W 575mm Unit £227.00
575(w) x 400(h) x 395(d)mm
SB900S 575mm Ceramic Basin £101.00
575(w) x 120(h) x 395(d)mm
Total £328.00

Q60 575 FREESTANDING UNIT



Q6FW 575mm Unit £336.00
575(w) x 740(h) x 395(d)mm
SB900S 575mm Ceramic Basin £101.00
575(w) x 120(h) x 395(d)mm
Total £437.00

GLOSS WHITE FINISH OPTIONS

Q60 500 BACK TO WALL UNIT



Q6BTWG 500mm Unit & worktop £216.00
500(w) x 860(h) x 218(d)mm

Q60 575 WALL MOUNTED UNIT



Q600G 575mm Unit £227.00
575(w) x 400(h) x 395(d)mm
SB900S 575mm Ceramic Basin £101.00
575(w) x 120(h) x 395(d)mm
Total £328.00

Q60 575 FREESTANDING UNIT



Q6FG 575mm Unit £336.00
575(w) x 740(h) x 395(d)mm
SB900S 575mm Ceramic Basin £101.00
575(w) x 120(h) x 395(d)mm
Total £437.00

GRAPHITE FINISH OPTIONS



— DESIRE —

With its **CURVACEOUS STYLING**, smooth satin finish and deep basin and drawers, you'll fall in love with Desire time after time. This luxurious wash basin unit comes in the **NEUTRAL CONTEMPORARY COLOURS** of putty or classic white.





DESIRE FEATURES & FINISHES

10 year guarantee

All Tavistock furniture is made from the very best quality materials and manufacturing techniques, and such is our confidence that we can offer a 10 year guarantee on all furniture units.

Base units

Desire wash basin units feature complementary bow handles and soft close drawers. The wall mounted unit also benefits from adjustable wall hangers for perfect alignment.

D-shaped basin

The D-shaped ceramic basin has been specifically designed to complement the curves of the wash basin units.

Internal storage

Useful deep drawers incorporate storage compartments, allowing you to separate your most frequently used items to the front for easy access.

Finish options



DESIRE 600 WALL MOUNTED UNIT



DS600W	600mm Unit 610(w) x 410(h) x 485(d)mm	£291.00
DS60C	600mm Ceramic Basin 625(w) x 40(h) x 495(d)mm	£111.00
Total		£402.00

DESIRE 800 WALL MOUNTED UNIT



DS800W	800mm Unit 790(w) x 410(h) x 485(d)mm	£308.00
DS80C	800mm Ceramic Basin 810(w) x 40(h) x 495(d)mm	£139.00
Total		£447.00

DESIRE 600 FREESTANDING UNIT



DS6FW	600mm Unit 610(w) x 820(h) x 485(d)mm	£448.00
DS60C	600mm Ceramic Basin 625(w) x 40(h) x 495(d)mm	£111.00
Total		£559.00

GLOSS WHITE FINISH OPTIONS

DESIRE 600 WALL MOUNTED UNIT



DS600PY	600mm Unit 610(w) x 410(h) x 485(d)mm	£291.00
DS60C	600mm Ceramic Basin 625(w) x 40(h) x 495(d)mm	£111.00
Total		£402.00

DESIRE 800 WALL MOUNTED UNIT



DS800PY	800mm Unit 790(w) x 410(h) x 485(d)mm	£308.00
DS80C	800mm Ceramic Basin 810(w) x 40(h) x 495(d)mm	£139.00
Total		£447.00

DESIRE 600 FREESTANDING UNIT



DS6FPY	600mm Unit 610(w) x 860(h) x 485(d)mm	£448.00
DS60C	600mm Ceramic Basin 625(w) x 40(h) x 495(d)mm	£111.00
Total		£559.00

PUTTY FINISH OPTIONS

DESIRE 500 BACK TO WALL UNIT



DS5BTWW	500mm Unit - Gloss White 500(w) x 860(h) x 210(d)mm	£216.00
---------	--	---------

DESIRE 500 BACK TO WALL UNIT



DS5BTWPY	500mm Unit - Putty 500(w) x 860(h) x 210(d)mm	£216.00
----------	--	---------

BACK TO WALL UNIT OPTIONS



— IMPACT —

If it's **DRAMATIC EFFECT** you're after, then Impact will certainly make a statement. This sophisticated collection comes in a textured java finish or classic gloss white. Thick side panels on the wash basin unit and wall column add to its **STRIKING PRESENCE**.





IMPACT FEATURES & FINISHES

10 year guarantee

All Tavistock furniture is made from the very best quality materials and manufacturing techniques, and such is our confidence that we can offer a 10 year guarantee on all furniture units.

Wall column

The Impact wall column offers flexible storage with adjustable shelves in two compartments. The doors are reversible to allow for left or right hand opening and feature soft close, quick release hinges.

Chamfered plinth

The base of the wash basin unit incorporates a chamfered plinth and doors which allow you to stand as close as possible to the basin.

Oval wash basin

The distinctive oval ceramic basin with a raised lip at the back is both practical and stylish.

Finish options



IMPACT 350 STORAGE UNIT



IM3CW

350mm Storage Unit
350(w) x 1400(h) x 280(d)mm

£297.00

IMPACT 600 FREESTANDING UNIT



IM6FW

600mm Unit
570(w) x 820(h) x 445(d)mm

£303.00

IM60C

600mm Ceramic Basin
600(w) x 40(h) x 460(d)mm

£111.00

Total

£414.00

IMPACT 350 STORAGE UNIT



IM3CJV

350mm Storage Unit
350(w) x 1400(h) x 280(d)mm

£325.00

IMPACT 600 FREESTANDING UNIT



IM6FJV

600mm Unit
570(w) x 820(h) x 445(d)mm

£325.00

IM60C

600mm Ceramic Basin
600(w) x 40(h) x 460(d)mm

£111.00

Total

£436.00



— SWIFT —

This sleek collection is the ultimate in streamlined **SIMPLICITY**. Available in an ultra glossy wood effect or white, this wall mounted or freestanding wash unit and **SLIM CERAMIC BASIN** will immediately look at home in your bathroom.





SWIFT FEATURES & FINISHES

10 year guarantee

All Tavistock furniture is made from the very best quality materials and manufacturing techniques, and such is our confidence that we can offer a 10 year guarantee on all furniture units.

Soft close technology

This range benefits from soft close doors and drawers to give a quiet and controlled closure.

Flexible hanging

The Swift wall mounted unit is fitted with adjustable wall hangers for perfect alignment.

Slim depth

With a depth of 385mm Swift can save useful space in smaller bathrooms.

Finish options



SWIFT 600 WALL MOUNTED UNIT



SW600W	600mm Unit 590(w) x 380(h) x 380(d)mm	£201.50
SW60C	600mm Ceramic Basin 600(w) x 20(h) x 385(d)mm	£111.00
Total		£312.50

SWIFT 600 FREESTANDING UNIT



SWF6W	600mm Unit 590(w) x 830(h) x 380(d)mm	£235.00
SW60C	600mm Ceramic Basin 600(w) x 20(h) x 385(d)mm	£111.00
Total		£346.00

GLOSS WHITE FINISH OPTIONS

SWIFT 600 WALL MOUNTED UNIT



SW600MG	600mm Unit 590(w) x 380(h) x 380(d)mm	£201.50
SW60C	600mm Ceramic Basin 600(w) x 20(h) x 385(d)mm	£111.00
Total		£312.50

SWIFT 600 FREESTANDING UNIT



SWF6MG	600mm Unit 590(w) x 830(h) x 380(d)mm	£235.00
SW60C	600mm Ceramic Basin 600(w) x 20(h) x 385(d)mm	£111.00
Total		£346.00

MONTANA GLOSS FINISH OPTIONS



— KOBÉ —

Why complicate things? The compact nature of these **SUPER SLEEK** Kobe units makes them an **IDEAL SOLUTION** for all bathrooms including **CLOAKROOMS AND EN-SUITES** where sometimes simpler is better. Available in gloss white, gloss black and walnut finishes.





KOBE FEATURES & FINISHES

10 year guarantee

All Tavistock furniture is made from the very best quality materials and manufacturing techniques, and such is our confidence that we can offer a 10 year guarantee on all furniture units.

Base units

Kobe base units are available in four different styles - a 450mm wall mounted option and a choice of a 450mm, 560mm or 700mm floor standing options. With space at a premium in many bathrooms, the Kobe units are very versatile and work well in smaller bathrooms or en-suites. The back to wall unit is supplied complete with gloss white painted worktop.

Soft close doors

Kobe doors are fitted with soft close dampers built into the hinges to give controlled and quiet closure.

Finish options





KOBE 700 FREESTANDING UNIT



K70FW	700mm Unit 700(w) x 745(h) x 360(d)mm	£297.00
K70C	700mm Ceramic Basin 700(w) x 100(h) x 360(d)mm	£140.50
Total		£437.50

KOBE 560 FREESTANDING UNIT



K56FW	560mm Unit & Basin 560(w) x 845(h) x 360(d)mm	£385.00
-------	--	---------

KOBE 450 FREESTANDING UNIT



Ideal for your
**Cloakroom
or En-suite**

KFS45W	450mm Unit & Basin 450(w) x 845(h) x 255(d)mm	£281.00
--------	--	---------

KOBE 700 FREESTANDING UNIT



K70FBK	700mm Unit 700(w) x 745(h) x 360(d)mm	£330.00
K70C	700mm Ceramic Basin 700(w) x 100(h) x 360(d)mm	£140.50
Total		£470.50

KOBE 560 FREESTANDING UNIT



K56FBK	560mm Unit & Basin 560(w) x 845(h) x 360(d)mm	£420.00
--------	--	---------

KOBE 450 FREESTANDING UNIT



KFS45BK	450mm Unit & Basin 450(w) x 845(h) x 255(d)mm	£324.00
---------	--	---------

KOBE 700 FREESTANDING UNIT



K70FAW	700mm Unit 700(w) x 745(h) x 360(d)mm	£308.00
K70C	700mm Ceramic Basin 700(w) x 100(h) x 360(d)mm	£140.50
Total		£448.50

KOBE 560 FREESTANDING UNIT



K56FAW	560mm Unit & Basin 560(w) x 845(h) x 360(d)mm	£395.00
--------	--	---------

KOBE 450 FREESTANDING UNIT



KFS45AW	450mm Unit & Basin 450(w) x 845(h) x 255(d)mm	£293.00
---------	--	---------

KOBE 450 WALL MOUNTED UNIT



KWM45W 450mm Unit & Basin £269.00
450(w) x 600(h) x 255(d)mm

KOBE 500 BACK TO WALL UNIT



K5BTWW 500mm Unit & Worktop £217.50
510(w) x 825(h) x 210(d)mm

KOBE 450 WALL MOUNTED UNIT



KWM45BK 450mm Unit & Basin £313.00
450(w) x 600(h) x 255(d)mm

KOBE 500 BACK TO WALL UNIT



K5BTWBK 500mm Unit & Worktop £260.00
510(w) x 825(h) x 210(d)mm

KOBE 450 WALL MOUNTED UNIT



Ideal for your
Cloakroom
or En-suite

KWM45AW 450mm Unit & Basin £281.00
450(w) x 600(h) x 255(d)mm

KOBE 500 BACK TO WALL UNIT



K5BTWAW 500mm Unit & Worktop £232.50
510(w) x 825(h) x 210(d)mm

GLOSS WHITE FINISH OPTIONS

GLOSS BLACK FINISH OPTIONS

WALNUT FINISH OPTIONS



OPAL

Opal offers a fresh, clean look for the **MODERN** bathroom, combining superb quality and value for money. Available in walnut and high gloss white finishes.





OPAL FEATURES & FINISHES

Base units

Opal base units are available in two different styles - a 500mm freestanding option and a 600mm freestanding option. With space at a premium in many bathrooms, Opal units are very versatile and work well in smaller bathrooms or en-suites. The back to wall unit is supplied complete with worktop.

10 year guarantee

All Tavistock furniture is made from the very best quality materials and manufacturing techniques, and such is our confidence that we can offer a 10 year guarantee on all furniture units

Finish options



OPAL 600 FREESTANDING UNIT



OPVU60W	560mm Unit	£150.00
	560(w) x 830(h) x 335(d)mm	
OPB60W	580mm Ceramic Basin	£71.80
	580(w) x 395(d)mm	
Total		£221.80

OPAL 500 FREESTANDING UNIT



OPVU50W	460mm Unit	£143.50
	460(w) x 830(h) x 310(d)mm	
OPB50W	500mm Ceramic Basin	£62.00
	495(w) x 380(d)mm	
Total		£205.50

OPAL 500 BACK TO WALL UNIT



OPBTW50W	500mm Unit & Worktop	£150.00
	500(w) x 790(h) x 335(d)mm	

GLOSS WHITE FINISH OPTIONS

OPAL 600 FREESTANDING UNIT



OPVU60AW	560mm Unit	£219.00
	560(w) x 830(h) x 335(d)mm	
OPB60W	580mm Ceramic Basin	£71.80
	580(w) x 395(d)mm	
Total		£290.80

OPAL 500 FREESTANDING UNIT



OPVU50AW	460mm Unit	£204.50
	460(w) x 830(h) x 310(d)mm	
OPB50W	500mm Ceramic Basin	£62.00
	495(w) x 380(d)mm	
Total		£266.50

OPAL 500 BACK TO WALL UNIT



OPBTW5AW	500mm Unit & Worktop	£205.50
	500(w) x 790(h) x 335(d)mm	

WALNUT FINISH OPTIONS

— ASPEN —

TIMELESS appeal and functionality truly combine in this range of high gloss white bathroom furniture. With enhanced features such as soft close furniture and intelligent lighting, make a **STATEMENT** in your bathroom with Aspen's unassuming presence.



ASPEN 700 UNIT



A70B	700mm Unit	£333.00
	700(w) x 890(h) x 330(d)mm	
L70C	750mm Ceramic Basin	£207.00
	750(w) x 500(d)mm	
Total		£540.00

ASPEN 500 FREESTANDING UNIT



A50B	500mm Unit	£237.50
	500(w) x 890(h) x 350(d)mm	
L50C	550mm Ceramic Basin	£158.50
	810(w) x 40(h) x 495(d)mm	
Total		£396.00

ASPEN 570 CORNER UNIT



A60CNRB	570mm Unit	£222.50
	360(w) x 820(h) x 360(d)mm	
A60CNRC	Corner Ceramic Basin	£127.50
	410(w) x 30(h) x 410(d)mm	
Total		£350.00

ASPEN 300 STORAGE UNIT



A30FC	330mm Storage Unit	£197.00
	300(w) x 820(h) x 300(d)mm	

A30FP	300mm Infill Panel	£28.60
	300(w)mm	

ASPEN FEATURES & FINISHES

Base units

All base units are supplied fully assembled and ready to fit. A strong and durable construction is achieved by using the finest manufacturing techniques. All visible exterior surfaces are finished using high gloss white lacquer. This quality finish provides a water resistant surface - vital within a bathroom environment.

10 year guarantee

All Tavistock furniture is made from the very best quality materials and manufacturing techniques, and such is our confidence that we can offer a 10 year guarantee on all furniture units

Finish options



NEW PRODUCT 2015



A close-up photograph of a person's hand with manicured nails touching a smooth, white, curved surface of a sanitaryware fixture. The person is wearing a blue and white striped shirt. The background is a light-colored tiled floor.

INSPIRING

SANITARYWARE

Clean lines, sleek surfaces, forward looking design. That's what you get with our range of sanitaryware. Whatever your personal style, you'll find something to inspire you - from standard basin, pedestal and WC formats in a range of styles and sizes, to back to wall and semi-countertop options, suitable for use with bathroom furniture.



STRUCTURE

Looking for a contemporary design? Structure is simple, sleek and **BEAUTIFULLY SCULPTED**. With its **FLOWING LINES AND THIN EDGES**, this range will be the making of today's modern bathroom.





STRUCTURE FEATURES

Basin & pedestal

The Structure basin has a stunning thin edged design, available with 1 tap hole for monobloc mixers. The structure basin can be pedestal mounted or wall hung with a chrome bottle trap for an alternative look.

WC pans

The Structure WC pans have beautiful flowing lines and are supplied with concealed floor fittings. Options include open back and fully enclosed close coupled pans as well as a new comfort height fully enclosed model.

Soft close toilet seat

The Structure seat has a contemporary wrap over design and is manufactured from high quality thermoset plastic. The seat has soft close, quick release hinges with a simple push and lift to remove operation.

Cisterns

The close coupled cistern has a water saving 4.5L full flush and 3L reduced flush. Compatible concealed cisterns for your Structure back to wall pan can be found on page 114.

Available
Spring 2015

STRUCTURE COMFORT HEIGHT
CLOSE COUPLED WC



PC450S	Comfort Height Close Coupled Pan	£249.00
	345(w) x 460(h) x 630(d)mm	
C450S	4.5/3L Cistern	£100.00
	340(w) x 450(h) x 135(d)mm	
TS450S	Soft Close Toilet Seat	£55.70
Total		£404.70

STRUCTURE FULLY ENCLOSED
CLOSE COUPLED WC



PF450S	Fully Enclosed Close Coupled Pan	£220.00
	345(w) x 400(h) x 610(d)mm	
C450S	4.5/3L Cistern	£100.00
	340(w) x 450(h) x 135(d)mm	
TS450S	Soft Close Toilet Seat	£55.70
Total		£375.70

STRUCTURE OPEN BACK
CLOSE COUPLED WC



P450S	Close Coupled Pan	£211.00
	340(w) x 400(h) x 640(d)mm	
C450S	4.5/3L Cistern	£100.00
	340(w) x 450(h) x 135(d)mm	
TS450S	Soft Close Toilet Seat	£55.70
Total		£366.70

STRUCTURE CERAMIC BASIN &
PEDESTAL



SB450S	550mm Basin	£115.50
	550(w) x 120(h) x 430(d)mm	
PE450S	Pedestal	£52.70
Total		£168.20

STRUCTURE BACK TO WALL WC



BTW450S	Back to Wall Pan	£188.50
	345(w) x 395(h) x 515(d)mm	
TS450S	Soft Close Toilet Seat	£55.70
	362(w) x 424(d)mm	
Total		£244.20



VITORIA

Introducing the **ELEGANT** and **TIMELESS** styling of Vitoria sanitaryware, the perfect bathroom solution for a period home.





VITORIA FEATURES

Wash basins

Vitoria basins are available with 1 tap hole or 2 tap holes to suit the style of your bathroom, both with chrome overflow cover and coordinating pedestal. A 2 tap hole cloakroom basin is also available. All 2 tap hole basins have provision for a chain stay waste.

WC choices

You have the option of high level, low level or close coupled WC. High and Low level WCs feature chrome plated brass downpipes.

Low level and close coupled WCs have full flush and reduced flush operation (6/4L) with a ceramic cistern handle. The high level WC has ornate brackets and a 6L flush.

Soft close toilet seat

Wooden soft close seats incorporate a chrome plated bar hinge featuring top and underfix options with adjustable fitting. The Natural Oak seat is solid oak whilst the white seat is painted high gloss white.



VITORIA HIGH LEVEL WC



PL850S	High/Low Level WC Pan 375(w) x 400(h) x 438(d) mm	£129.00
CH850S	High Level Cistern & Fittings 481(w) x 330(h) x 200(d)mm	£124.00
HLK850S	High Level Chrome Down Pipe & Bracket Kit	£278.00
TS850NOSC	Soft Close Solid Oak Seat - natural oak	£102.00
TS850WSC	Soft Close Wood Seat - white	£91.70
Total (as shown with natural oak seat)		£633.00

VITORIA CLOSE COUPLED WC



P850S	Close Coupled Pan 373(w) x 421(h) x 673(d)mm	£150.50
C850S	Close Coupled Cistern 481(w) x 330(h) x 205(d)mm	£124.00
TS850NOSC	Soft Close Solid Oak Seat - natural oak	£102.00
TS850WSC	Soft Close Wood Seat - white	£91.70
Total (as shown with natural oak seat)		£376.50

VITORIA LOW LEVEL WC



PL850S	High/Low Level WC Pan 375(w) x 400(h) x 438(d) mm	£129.00
CL850S	Low Level Cistern & Fittings 481(w) x 330(h) x 200(d)mm	£124.00
LLK850S	Low Level Down Pipe & Fittings	£56.70
TS850NOSC	Soft Close Solid Oak Seat - natural oak	£102.00
TS850WSC	Soft Close Wood Seat - white	£91.70
Total (as shown with natural oak seat)		£411.70

VITORIA 605 BASIN & PEDESTAL



SB850S	605mm Ceramic Basin - 1 Tap Hole 605(w) x 232(h) x 505(d) mm	£126.00
PE850S	Pedestal	£61.30
Total		£187.30

VITORIA 605 BASIN & PEDESTAL



DB850S	605mm Ceramic Basin - 2 Tap Hole 605(w) x 232(h) x 505(d) mm	£126.00
PE850S	Pedestal	£61.30
Total		£187.30

VITORIA WALL MOUNTED CLOAKROOM BASIN



Ideal for your
Cloakroom
or En-Suite

DB850CLS	Cloakroom Ceramic Basin - 2 Tap Hole 500(w) x 305(d)mm	£99.00
----------	---	--------

VITORIA CLOAKROOM BASIN & PEDESTAL



DB850CLS	Cloakroom Ceramic Basin - 2 Tap Hole 500(w) x 305(d)mm	£99.00
PE850S	Pedestal	£61.30
Total		£160.30



ION

GEOMETRIC styling comes to the fore with this range. Ion's square basin and short projection D-shaped WC pans make it a **MODERN CLASSIC** which works extremely well in **SMALLER** bathrooms.





ION FEATURES

Basin & pedestal

The square-shaped basin features a spacious wash area and central tap hole. It can be used with its coordinating pedestal or, for a more contemporary look, wall hung with a simple chrome bottle trap.

WC pans

The Ion range has a whole host of WC options including a close coupled pan and 6/4L cistern, a back to wall pan and a wall hung pan. Additionally, a comfort height pan, several centimetres taller than a standard pan, helps reduce the burden on those tired legs.

Soft close toilet seat

The Ion wrap over design toilet seat complements this curvaceous yet angular range and features soft close hinges to ensure controlled, quiet closure. Made from highly durable thermoset plastic with UV protection to prevent discolouration, it also features quick release, corrosion free top fix hinges for easy installation and removal for cleaning.

ION 560 BASIN & PEDESTAL



Can be wall
mounted with
Bottle Tap

NV560SB	560mm Basin	£106.50
	560(w) x 410(d)mm	
NVSQPED	Pedestal	£43.00
Total		£149.50

ION CLOSE COUPLED WC



P100S	Close Coupled Pan	£139.00
	340(w) x 390(h) x 605(d)mm	
C900S	6/4L Cistern	£71.80
	360(w) x 420(h)mm	
TS150S	Soft Close Toilet Seat	£60.80
	362(w) x 424(d)mm	
Total		£271.60

ION COMFORT HEIGHT WC



PC100S	Comfort Height Pan	£197.00
	340(w) x 460(h) x 610(d)mm	
C900S	6/4L Cistern	£71.80
	360(w) x 420(h)mm	
TS150S	Soft Close Toilet Seat	£60.80
	362(w) x 424(d)mm	
Total		£329.60

ION BACK TO WALL WC



BTW100S	Back to Wall Pan	£141.50
	340(w) x 390(h) x 510(d)mm	
TS150S	Soft Close Toilet Seat	£60.80
	362(w) x 424(d)mm	
Total		£202.30

ION WALL HUNG WC



WH100S	Wall Hung Pan	£173.50
	340(w) x 360(h) x 515(d)mm	
TS150S	Soft Close Toilet Seat	£60.80
	362(w) x 424(d)mm	
Total		£234.30



— Q60 —

A versatile range of sanitaryware which will **LOOK GREAT** in any bathroom and includes short projection items – **PERFECT** for where space is at a **PREMIUM**.





Q60 FEATURES

Wash basin

The Q60 basin can be mounted on its matching pedestal or on top of Q60 furniture. Alternatively the basin can be wall mounted with a chrome bottle trap. At 395mm in depth it's perfect for smaller bathrooms and en-suites.

WC pans

The short projection close coupled and back to wall WC pans in our Q60 range are also ideal where space is at a premium.

Soft close toilet seat

The Q60 thermoset toilet seat features soft close hinges for quiet closure of the seat and ring, whilst the top fix mechanism allows for ease of installation.

Cisterns

Compatible concealed cisterns for your Q60 back to wall pan can be found on page 114.

Q60 575 CERAMIC BASIN & PEDESTAL



SB900S	575mm Ceramic Basin 575(w) x 120(h) x 395(d)mm	£101.00
PE900S	Pedestal	£49.40
Total		£150.40

Q60 600 SHORT PROJECTION CLOSE COUPLED WC



P900S	600mm Short Projection WC Pan 360(w) x 390(h) x 600(d)mm	£138.00
C900S	4.5/3L Cistern 360(w) x 420(h)mm	£71.80
TS900S	Soft Close Top Fix Toilet Seat	£61.90
Total		£271.70

Q60 575 CERAMIC BASIN & BOTTLE TRAP



SB900S	575mm Ceramic Basin 575(w) x 120(h) x 395(d)mm	£101.00
TRAP6	Bottle Trap	£40.10
Total		£141.10

Q60 460 BACK TO WALL WC



BTW900S	460mm Back to Wall WC Pan 355(w) x 390(h) x 460(d)	£143.50
TS900S	Soft Close Top Fix Toilet Seat	£61.90
Total		£205.40

Coordinating
Q60 Furniture
Pages 54 - 57



VIBE

The beauty of this extensive range lies in its **SLEEK** simplicity and contemporary characteristics. For an efficient and stylish **SOLUTION** to your bathroom needs - get the vibe.





VIBE FEATURES

Wash basins

Choose from 550mm or 450mm basins which can each be mounted on a full or semi-pedestal. Alternatively opt for a semi-countertop basin with bathroom furniture.

WC pans

Choose from flush fitting or open backed close coupled WCs or opt for a back to wall or wall hung pan for a different look.

Soft close toilet seat

The Vibe thermoset toilet seat features soft close hinges for quiet closure of the seat and ring. It also boasts a quick release mechanism for easy cleaning.

Cisterns

Compatible concealed cisterns for your Vibe back to wall pan as well as wall hung frames can be found on page 114.

550 BASIN & PEDESTAL



SB700S	550mm Ceramic Basin 545(w) x 405(d)mm	£86.80
PE700S	Pedestal	£64.80
Total		£151.60

460 BASIN & PEDESTAL



SB745S	460mm Ceramic Basin 460(w) x 340(d)mm	£68.30
PE700S	Pedestal	£64.80
Total		£133.10

460 BASIN & SEMI-PEDESTAL



SB745S	460mm Ceramic Basin 460(w) x 340(d)mm	£68.30
SMP700S	Semi-Pedestal 190(w) x 270(h) x 250(d)mm	£64.80
Total		£133.10

FULLY ENCLOSED CLOSE COUPLED WC



PF700S	Flush Fitting Close Coupled WC Pan & Soft Close Seat 355(w) x 407(h) x 640(d)mm	£290.00
C700S	6/4L Cistern 355(w) x 365(h)mm	£115.00
Total		£405.00

OPEN BACK CLOSE COUPLED WC



P700S	Open Back Close Coupled WC Pan & Soft Close Seat 355(w) x 407(h) x 640(d)mm	£261.00
C700S	6/4L Cistern 355(w) x 365(h)mm	£115.00
Total		£376.00

BACK TO WALL WC



BTW700S	Back to Wall WC Pan & Soft Close Seat 355(w) x 407(h) x 540(d)mm	£261.00
---------	--	---------

WALL HUNG WC



WH700S	Wall Hung WC Pan & Soft Close Seat 360(w) x 320(h) x 535(d)mm	£261.00
--------	---	---------

Coordinate with
**Tempo
Furniture**

SEMI-COUNTERTOP BASIN



SCSB700S	550mm Semi-Countertop Basin 550(w) x 430(d)mm	£138.00
----------	---	---------



MICRA

Small but PERFECTLY formed Micra is designed for the smaller bathroom, CLOAKROOM OR EN-SUITE. Flexibility is the key here, with an extensive range of sanitaryware with CLEVER SPACE saving ideas.





MICRA BASIN FEATURES

Wash basins

Choose from a variety of basins including several suitable for smaller bathrooms or cloakrooms. Alternatively opt for a semi-countertop basin with bathroom furniture.

The Micra 450mm basin is also available with 1 tap hole and 2 tap hole configurations and can be used on a pedestal or wall mounted.

Semi pedestals

A semi pedestal is available for the 565mm 1 taps hole and 2 tap hole basins when a wall hung look is desired.

For further technical information see page 234.

MICRA 565 BASIN & SEMI-PEDESTAL



SB100S	565mm Basin - 1 Tap Hole	£86.70
	565(w) x 470(d)mm	
SMP100S	Semi-Pedestal	£62.60
	170(w) x 380(h) x 255(d)mm	
Total		£149.30

MICRA 565 BASIN & PEDESTAL



DB100S	565mm Basin - 2 Tap Hole	£86.70
	565(w) x 470(d)mm	
PE100S	Pedestal	£35.70
Total		£122.40

MICRA 450 BASIN & PEDESTAL



SB145S	450mm Basin - 1 Tap Hole	£69.40
	450(w) x 375(d)mm	
PE100S	Pedestal	£35.70
Total		£105.10

MICRA 450 BASIN



DB145S	450mm Basin - 2 Tap Holes	£69.40
	450(w) x 375(d)mm	
TRAP6	Bottle Trap	£40.10
Total		£109.50

MICRA 375 CORNER BASIN



CB100S	375mm Corner Basin	£79.30
	375(w) x 375(d)mm	
TRAP6	Bottle Trap	£40.10
Total		£119.40

MICRA SEMI-COUNTERTOP BASIN



SCSB100S	565mm Semi-Countertop Basin - 1 Tap Hole	£139.00
	565(w) x 470(d)mm	

MICRA 510 SLIMLINE BASIN - LEFT



Ideal for
Smaller
Bathrooms

SSLB100S	510mm Ceramic Basin - Left Tap Hole	£69.40
	510(w) x 240(d)mm	
TRAP6	Bottle Trap	£40.10
Total		£109.50

MICRA 510 SLIMLINE BASIN - RIGHT



SSRB100S	510mm Ceramic Basin - Right Tap Hole	£69.40
	510(w) x 240(d)mm	
TRAP6	Bottle Trap	£40.10
Total		£109.50

MICRA 510 SLIMLINE BASIN



SDB100S	510mm Ceramic Basin - 2 Tap Holes	£69.40
	510(w) x 240(d)mm	
TRAP6	Bottle Trap	£40.10
Total		£109.50



MICRA WC FEATURES

Comfort height pan

Sitting 70mm higher than a standard toilet, the Micra pan is extra comfy to use.

Short projection WC pans

The short projection close coupled and back to wall WC pans in our Micra range are ideal where space is at a premium.

Soft close toilet seats

Micra pans have a choice of two toilet seats. The Micra soft close thermoset seat option features soft close hinges for quiet closure of the seat and ring, whilst the top fix mechanism allows for ease of installation. If a wrap over seat is required, try the Ion seat, see page 97 for further details.

Cisterns

Compatible concealed cisterns for your Micra back to wall pan and wall hung frames can be found on page 114.

MICRA COMFORT HEIGHT CLOSE COUPLED WC



Extra
Comfy
To Use

PC100S	610mm Comfort Height Pan 340(w) x 460(h) x 610(d)mm	£197.00
C100S	6/4L Cistern 340(w) x 370(h) x 125(d)mm	£94.20
TS100WSC	Soft Close Toilet Seat	£66.10
Total		£357.30

MICRA SHORT PROJECTION CLOSE COUPLED WC



P100S	600mm Short Projection WC Pan 340(w) x 390(h) x 605(d)mm	£139.00
C100S	6/4L Cistern 340(w) x 370(h) x 125(d)mm	£94.20
TS100S	Standard Toilet Seat	£41.30
Total		£274.50

MICRA SHORT PROJECTION BACK TO WALL WC



BTW100S	510mm Back to Wall WC Pan 340(w) x 390(h) x 510(d)mm	£141.50
TS100S	Standard Toilet Seat	£41.30
Total		£182.80

MICRA WALL HUNG WC



WH100S	515mm Wall Hung Pan 340(w) x 360(h) x 515(d)mm	£173.50
TS100WSC	Soft Close Toilet Seat	£66.10
Total		£239.60

BASIN OPTIONS

SEMI-COUNTERTOP

VIBE SEMI-COUNTERTOP BASIN



SCSB700S 550mm Semi-Countertop Basin
550(w) x 430(d)mm **£138.00**

MICRA SEMI-COUNTERTOP BASIN



SCSB100S 565mm Semi-Countertop Basin - 1 Tap Hole
565(w) x 470(d)mm **£139.00**

PAN OPTIONS

WALL HUNG WC PANS

VIBE WALL HUNG WC



WH700S Wall Hung WC Pan & Soft Close Seat
360(w) x 320(h) x 535(d)mm **£261.00**

Frame hole centres are 180mm

ION WALL HUNG WC



WH100S Wall Hung Pan **£173.50**
340(w) x 360(h) x 515(d)mm
TS150S Soft Close Toilet Seat **£60.80**
362(w) x 424(d)mm

Total £234.30

Frame hole centres are 230mm

MICRA WALL HUNG WC



WH100S Wall Hung Pan **£173.50**
340(w) x 360(h) x 515(d)mm
TS100WSC Soft Close Toilet Seat **£66.10**

Total £239.60

Frame hole centres are 230mm

TETRA WALL HUNG WC



WH500S Wall Hung Pan **£288.00**
340(w) x 360(h) x 515(d)mm
TS500S Soft Close Toilet Seat **£64.50**

Total £352.50

Frame hole centres are 230mm

PAN OPTIONS

BACK TO WALL PANS

ION BACK TO WALL WC



BTW100S	Back to Wall Pan	£141.50
	340(w) x 390(h) x 510(d)mm	
TS150S	Soft Close Toilet Seat	£60.80
	362(w) x 424(d)mm	
Total		£202.30

STRUCTURE BACK TO WALL WC



BTW450S	Back to Wall Pan	£188.50
	345(w) x 395(h) x 515(d)mm	
TS450S	Soft Close Quick Release Toilet Sea	£55.70
Total		£244.20

Concealed floor fixings

Q60 BACK TO WALL WC



BTW900S	Back to Wall Pan	£143.50
	360(w) x 390(h) x 460(d)mm	
TS900S	Soft Close Quick Release Toilet Sea	£61.90
Total		£205.40

Concealed floor fixings

Coordinate with
Vibe Basins

TETRA BACK TO WALL WC



BTW500S	Back to Wall Pan	£261.00
	360(w) x 400(h) x 505(d)mm	
TS500S	Soft Close Toilet Seat	£64.50
Total		£325.50

Concealed floor fixings

VIBE BACK TO WALL WC



BTW700S	Back to Wall Pan & Soft Close Seat	£261.00
	355(w) x 407(h) x 540(d)mm	

Concealed floor fixings

MICRA BACK TO WALL WC



BTW100S	Back to Wall Pan	£141.50
	340(w) x 390(h) x 510(d)mm	
TS100WSC	Soft Close Toilet Seat	£66.10
Total		£207.60

Concealed floor fixings

ADDITIONS

CISTERNS, WALL HUNG FRAMES & PUSH BUTTONS

VORTEX CISTERN BOTTOM INLET



VOR790 Dual Flush Slimline Cistern £78.80
434(w) x 365(h) x 135(d)mm

Compatible with Tavistock back to wall pans

APEX CISTERN SIDE INLET



APX790 Dual Flush Slimline Cistern £78.80
464(w) x 365(h) x 135(d)mm

Compatible with Tavistock back to wall pans

VORTEX & APEX CISTERN FEATURES

- Pre-assembled concealed cistern
- 3/6 litre adjustable dual flush options
- Pneumatic flush valve
- Push button operation
- Top & front access
- 0.2 - 10bar working pressure range
- 200,000 cycle endurance tested
- Rigorously tested before leaving the factory
- 90° flushpipe for neat installation
- Designed to work with low height furniture
- Ideal for slimline furniture at only 135mm deep
- Constructed from high density polyethylene with polystyrene insulation jacket to prevent condensation and allow for quiet re-filling

0.82M WALL HUNG WC FRAME



WHF082 0.82m Wall Hung Frame £195.00
500(w)mm

WHFFK Furniture Adapter Kit £33.50

Total £228.50

Can be used with Ellipse push plate or Square flush button

0.82M WALL HUNG FRAME FEATURES

- 0.82m high for use with 600mm and wider furniture WC units
- Adjustable depth 167 - 215mm
- Adjustable height legs (200mm adjustment)
- 6/3L pneumatic flush valve and side entry 1/2" (female) inlet valve
- Top and front access, flush plate mounting options
- Polystyrene anti condensation jacket
- 0.2-10.0bar working pressure range
- Brackets, fixings and 1st fix protective covers included
- Use the optional furniture adaptor kit (sold separately) when using the frame in furniture installations

1.17M WALL HUNG WC FRAME



WHF117 1.17m Wall Hung Frame £195.00
500(w)mm

Can be used with Ellipse push plate or Square flush button

1.17M WALL HUNG FRAME FEATURES

- 1.17m high for in-wall applications
- Adjustable depth 140 - 200mm
- Adjustable height legs (200mm adjustment)
- 6/3L pneumatic flush valve and top entry 1/2" (male) inlet valve
- Front access, push plate position
- Polystyrene anti condensation jacket
- 0.2-10.0bar working pressure range
- Minimum depth for 'straight out' waste pipe routings is 110mm
- Brackets, fixings and 1st fix protective covers included

ELLIPSE PUSH PLATE



ELFP Ellipse Dual Flush Push Plate £30.00
210(w) x 142(h)mm

SQUARE FLUSH BUTTON



SQFB Square Dual Flush Button £11.00
71(w) x 71(h)mm

ELLIPSE PUSH PLATE & SQUARE FLUSH FEATURES

- Pneumatic dual flush
- Chrome finish
- Compatible with WHF082 and WHF117 wall hung frames
- Compatible with VOR790 and APX790 concealed cisterns as an optional upgrade



OXYGEN|8





INSPIRING

SHOWER ENCLOSURES

The OXYGEN | 8 range from Tavistock breathes life into your daily routine. Treat yourself to one of our contemporary designer enclosures or wet room style glass panels – it is the perfect way to start or finish your day.

The range is characterised by quality, superb attention to detail and well considered design features to give you an invigorating and refreshing showering experience.



SLIDING

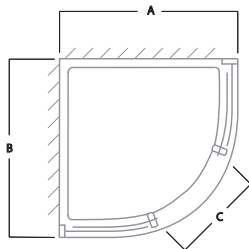
DOOR QUADRANT

Perfectly proportioned in a choice of two sizes, the sliding door quadrant offers a true style statement. The combination of great functionality and space saving design makes them ideal for corner installations. The sliding door quadrant is available as a single or double door option.

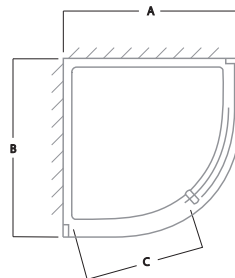
These enclosures come with a Lifetime Guarantee covering all manufacturing defects | Guardshield glass protection coating as standard | 8mm toughened safety glass | Brass and stainless steel rollers with a quick release function allowing the doors to swing away for ease of cleaning | Fully concealed wall fixings with uniquely shaped concave aluminium trim strip | Wall profiles give a maximum of 40mm adjustment 20mm each side, for out of true walls | The single door option can be fitted to open from the left or right.

AVAILABLE SIZE FORMATS

Double sliding door quadrant



Single sliding door quadrant



Dimensions	Code	A	B	C	Radius	Height	RRP inc VAT
800mm Double Sliding Door	SE1QD80	763min - 781max	763min - 781max	380	550	1950	£930.00
900mm Double Sliding Door	SE1QD90	863min - 881max	863min - 881max	542	550	1950	£970.00
800mm Single Sliding Door	SE1QS80	763min - 781max	763min - 781max	435	550	1950	£910.00
900mm Single Sliding Door	SE1QS90	863min - 881max	863min - 881max	482	550	1950	£1,000.00

For shower tray options see page 236 - 237



STRAIGHT

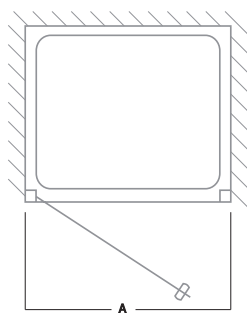
HINGED DOOR

The hinged door is a perfect solution for recesses or can be used with a side panel to offer even more versatility. Available in three sizes, it will work perfectly whatever the size of your bathroom.

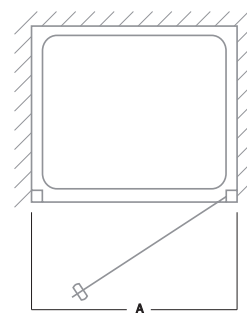
This product consists of one hinged door and comes with a Lifetime Guarantee covering all manufacturing defects | Guardshield glass protection coating as standard | 8mm Toughened safety glass | Fully concealed wall fixings with uniquely shaped concave aluminium trim strip | Sleek durable brass hinges | Wall profiles give a maximum of 40mm adjustment, 20mm each side, for out of true walls | Can be fitted to open from the left or right.

AVAILABLE SIZE FORMATS

Straight door left hinged



Straight door right hinged



Dimensions	Code	A	Height	RRP inc VAT
760mm Straight Hinged Door	SE1H76	720min - 756max	1950	£650.00
800mm Straight Hinged Door	SE1H80	760min - 796max	1950	£665.00
900mm Straight Hinged Door	SE1H90	860min - 896max	1950	£675.00

For shower tray options see page 236 - 237

Side panel options:

Side Panel Dimensions	Code	Dimensions	Width	Height	RRP inc VAT
760mm Side Panel	SE1SP76	760 x 1950mm	715min - 733max	1950	£328.00
800mm Side Panel	SE1SP80	800 x 1950mm	733min - 755max	1950	£339.00
900mm Side Panel	SE1SP90	900 x 1950mm	855min - 873max	1950	£356.00
1000mm Side Panel	SE1SP10	1000 x 1950mm	955min - 973max	1950	£389.00



SLIDING

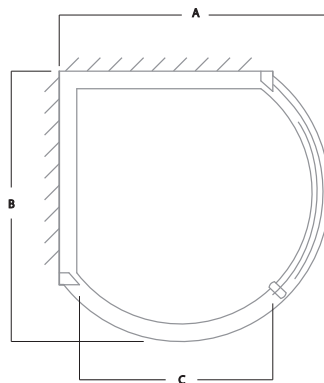
BOW QUADRANT

The distinctive bow shaped profile of this corner-fitting enclosure creates a great space for a truly enjoyable showering experience. Available with a 25mm ultra low profile tray, for a sleek and uncompromising look. This product consists of one curved sliding door and one curved fixed panel.

This enclosure comes with a Lifetime Guarantee covering all manufacturing defects | Guardshield glass protection coating as standard | 6mm Toughened safety glass | Fully concealed wall fixings with uniquely shaped concave aluminium trim strip | Wall profiles give a maximum of 40mm adjustment, 20mm each side, for out of true walls | Can be fitted to open from the left or right.

AVAILABLE SIZE FORMATS

Sliding bow quadrant



Dimensions	Code	A	B	C	Radius	Height	RRP inc VAT
1000mm Bow Quadrant	SE1QB78	947min - 965max	947min - 965max	587	550	1950	£835.00

For shower tray options see page 236 - 237



OFF-SET

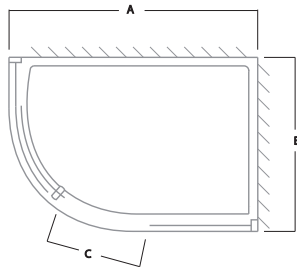
SLIDING DOOR QUADRANT

For those wanting a bit more space when showering, this is the option for you. Available in a choice of three sizes to complement different bathroom spaces, and with a smooth gliding door action, it delivers a real style statement for a corner installation. This product consists of one curved sliding door, one curved fixed panel and one straight fixed panel.

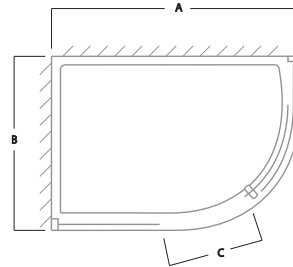
These enclosures come with a Lifetime Guarantee covering all manufacturing defects | Guardshield glass protection coating as standard | 8mm Toughened safety glass | Brass and stainless steel rollers | Quick release function allowing the doors to swing away for ease of cleaning | Fully concealed wall fixings with uniquely shaped concave aluminium trim strip | Wall profiles give a maximum of 40mm adjustment, 20mm each side, for out of true walls | Can be fitted to open from the left or right.

AVAILABLE SIZE FORMATS

Off-set sliding door quadrant left



Off-set sliding door quadrant right



Dimensions	Code	A	B	C	Radius	Height	RRP inc VAT
1000x800 Off-Set Quadrant	SE1QFS108	963min - 981max	763min - 781max	435	550	1950	£980.00
1200x800 Off-Set Quadrant	SE1QFS128	1163min - 1181max	763min - 781max	426	550	1950	£1,010.00
1200x900 Off-Set Quadrant	SE1QFS129	1163min - 1181max	863min - 881max	482	550	1950	£1,140.00

For shower tray options see page 236 - 237



STRAIGHT

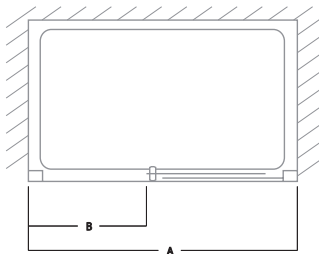
SLIDING DOOR

Sliding doors are available in four sizes and can fit into a recess or, when used with a side panel, can optimise the space in a corner. This design offers great versatility and is perfect for those wanting to replace a bath with a super size shower enclosure. This product consists of one sliding door and one fixed panel.

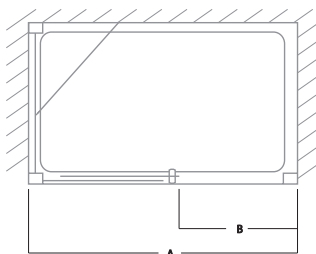
These enclosures come with a Lifetime Guarantee covering all manufacturing defects | Guardshield glass protection coating as standard | 8mm Toughened safety glass | Brass and stainless steel rollers | Quick release function allowing the doors to swing away for ease of cleaning | Fully concealed wall fixings with uniquely shaped concave aluminium trim strip | Wall profiles give a maximum of 40mm adjustment, 20mm each side, for out of true walls | Can be fitted to open from the left or right.

AVAILABLE SIZE FORMATS

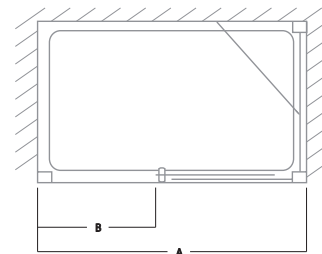
Straight sliding door - recess



Straight sliding door - side panel left



Straight sliding door - side panel right



Dimensions	Code	A	B	Height	RRP inc VAT
1000mm Straight Sliding Door	SE1S10	960min - 996max	474	1950	£645.00
1200mm Straight Sliding Door	SE1S12	1160min - 1196max	576	1950	£740.00
1400mm Straight Sliding Door	SE1S14	1360min - 1396max	675	1950	£805.00
1700mm Straight Sliding Door	SE1S17	1660min - 1696max	675	1950	£890.00

For shower tray options see page 236 - 237

Side panel options:

Side Panel Dimensions	Code	Dimensions	Width	Height	RRP inc VAT
760mm Side Panel	SE1SP76	760 x 1950mm	715min - 733max	1950	£328.00
800mm Side Panel	SE1SP80	800 x 1950mm	733min - 755max	1950	£339.00
900mm Side Panel	SE1SP90	900 x 1950mm	855min - 873max	1950	£356.00
1000mm Side Panel	SE1SP10	1000 x 1950mm	955min - 973max	1950	£389.00



HINGED

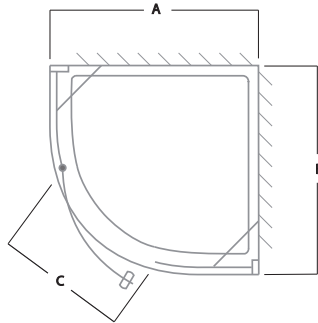
DOOR QUADRANT

The hinged door quadrant delivers a semi-frameless, uncluttered and desirable look for smaller bathrooms and en-suites. Available in 900mm x 900mm it provides plentiful space without compromising on form or functionality. The door can be left or right handed to provide greater versatility. This product consists of one curved hinged door and two curved fixed panels.

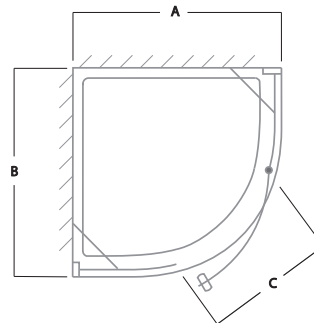
This enclosure comes with a Lifetime Guarantee covering all manufacturing defects | Guardshield glass protection coating as standard | 8mm Toughened safety glass | Fully concealed wall fixings with uniquely shaped concave aluminium trim strip | Brass hinges | Wall profiles give a maximum of 40mm adjustment, 20mm each side, for out of true walls | Can be fitted to open from the left or right.

AVAILABLE SIZE FORMATS

Hinged door quadrant left



Hinged door quadrant right



Dimensions	Code	A	B	C	Radius	Height	RRP inc VAT
900 Hinged Door Quadrant	SE1QHS90	863min - 881max	863min - 881max	650	550	1950	£1,150.00

For shower tray options see page 236 - 237



BI-FOLD

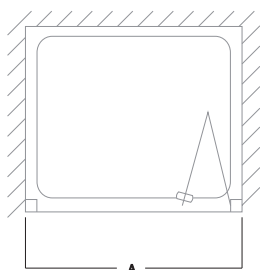
ENCLOSURES

Designed for those who are short on space but not on style. The bi-fold door expertly combines space-saving with great design and functionality. Available in three sizes, it is most suited to recesses but can be used with a side panel to offer even more versatility. This product consists of two glass panels with a chrome plated brass bi-fold hinge.

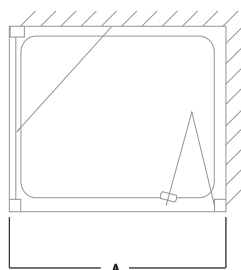
These enclosures come with a Lifetime Guarantee covering all manufacturing defects | Guardshield glass protection coating as standard | 8mm Toughened safety glass | Fully concealed wall fixings with uniquely shaped concave aluminium trim strip | The wall profiles give a maximum of 40mm adjustment, 20mm each side, for out of true walls | Can be fitted to open from the left or right.

AVAILABLE SIZE FORMATS

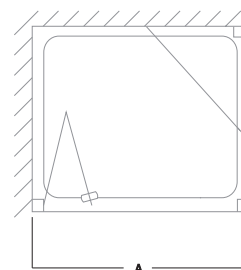
Bi-fold recess



Bi-fold side panel left



Bi-fold side panel right



Dimensions	Code	A	Height	RRP inc VAT
760mm Bi-Fold	SE1B76	720min - 760max	1950	£860.00
800mm Bi-Fold	SE1B80	760min - 800max	1950	£870.00
900mm Bi-Fold	SE1B90	860min - 900max	1950	£895.00

For shower tray options see page 236 - 237

Side panel options:

Side Panel Dimensions	Code	Dimensions	Width	Height	RRP inc VAT
760mm Side Panel	SE1SP76	760 x 1950mm	715min - 733max	1950	£328.00
800mm Side Panel	SE1SP80	800 x 1950mm	755min - 733max	1950	£339.00
900mm Side Panel	SE1SP90	900 x 1950mm	855min - 873max	1950	£356.00
1000mm Side Panel	SE1SP10	1000 x 1950mm	955min - 973max	1950	£389.00



WALK-IN

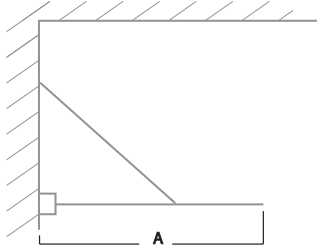
PANELS & ENCLOSURES

For the ultimate in minimalist design, opt for a walk-in shower enclosure. They can be used with or without end panels to create a spacious, sleek look. The seamless glass panel creates a clean uncluttered line and can be used either with our low profile shower trays in a conventional bathroom, or without in a wetroom installation. This product consists of one glass panel, wall post, stabilising bar and floor bracket.

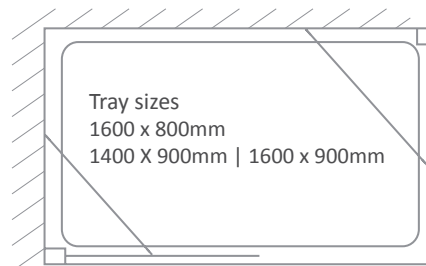
These enclosures come with a Lifetime Guarantee covering all manufacturing defects | Guardshield glass protection coating as standard | 8mm Toughened safety glass | Fully concealed wall fixings with uniquely shaped concave aluminium trim strip.

AVAILABLE SIZE FORMATS

Walk-in panels available in 3 sizes
(See table below)



4x tray configurations available



Dimensions	Code	A	Height	RRP inc VAT
800mm Walk-In Panel	SE1WI80	775min - 790max	1950	£312.00
900mm Walk-In Panel	SE1WI90	875min - 890max	1950	£336.00
1000mm Walk-In Panel	SE1WI14	975min - 995max	1950	£484.00

For shower tray options see page 236 - 237

Using two walk-in panels enclosures of the following sizes can be created:

Dimensions	Code	Height	RRP inc VAT
1400mm x 800mm	SE1WI80 + SE1WI90	1950	£648.00
1400mm x 900mm	SE1WI90 + SE1WI90	1950	£672.00
1600mm x 800mm	SE1WI80 + SE1WI14	1950	£796.00
1600mm x 900mm	SE1WI90 + SE1WI14	1950	£820.00



DEFLECTOR

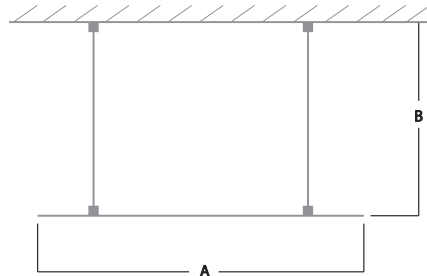
PANELS

Deflector panels give you the definitive look for wet room design. Available in four sizes the lustrous panel of glass, with its chrome towel rail, is simply fixed to the wall with chrome stabilising bars. This creates a walk through shower enclosure and a real style statement for the contemporary bathroom. This product consists of one glass panel, two stabilising bars, floor brackets and a chrome towel rail.

This product comes with a Lifetime Guarantee covering all manufacturing defects | Guardshield glass protection coating as standard | 8mm Toughened safety glass.

AVAILABLE SIZE FORMATS

Deflector panel



Dimensions	Code	A	B	Height	RRP inc VAT
900mm Deflector Panel	SE1DF90	900	780 approx	1950	£472.00
1000mm Deflector Panel	SE1DF10	1000	780 approx	1950	£510.00
1200mm Deflector Panel	SE1DF12	1200	780 approx	1950	£605.00
1400mm Deflector Panel	SE1DF14	1400	780 approx	1950	£650.00

DOUBLE SLIDING DOOR QUADRANT



See pages 118 - 119 for further details

SINGLE SLIDING DOOR QUADRANT



See pages 118 - 119 for further details

STRAIGHT HINGED DOOR



See pages 120 - 121 for further details

STRAIGHT SLIDING DOOR



See pages 126 - 127 for further details

HINGED DOOR QUADRANT



See pages 128 - 129 for further details

BI-FOLD



See pages 130 - 131 for further details

TOUGHENED GLASS



SLEEK HANDLE DESIGN



BRASS HINGE PLATE



SLIDING BOW QUADRANT



See pages 122 - 123 for further details

OFF-SET SLIDING DOOR QUADRANT



See pages 124 - 125 for further details

Enclosure
Range
Overview

WALK-IN PANELS & ENCLOSURES



See pages 132 - 133 for further details

DEFLECTOR PANELS



See pages 134 - 135 for further details

QUICK RELEASE ROLLERS



QUICK RELEASE ROLLERS



CONCEALED WALL FIXINGS



BATH

SCREENS

If you have limited space, why not create an appealing bath and shower combination with an elegant bath screen? Available in either a beautifully curved or straight sided design, the 6mm toughened safety glass is easily fitted using a sturdy hinged polished aluminium wall post. This product consists of a wall post and a frameless glass panel. These bath screens come with a Lifetime Guarantee covering all manufacturing defects, guardshield glass protection coating as standard and the wall profile gives a maximum of 20mm adjustment for out of true walls.



Bath Screen Dimensions	Code	Dimensions	Width	Height	RRP inc VAT
Rectangular bath screen	SE1BSS	800 x 1500mm	800	1500	£235.50
Curved bath screen	SE1BSR	800 x 1500mm	800	1500	£246.00

SHOWER

TRAYS

OXYGEN | 8 shower trays are manufactured from solid cast stone (excluding the 25mm bow quadrant tray) and are available in a wide variety of sizes for a sleek and uncompromising look. These trays have a modern slimline 45mm low profile, excluding the bow quadrant which is 25mm ultra low profile. Guaranteed for 20 Years.



Square Low Profile Tray 45mm

Compatible with the following enclosures:
Straight hinged door | Bi-Fold

See page 236 for size options



Rectangle Low Profile Tray 45mm

Compatible with the following enclosures:
Straight hinged door | Straight sliding door | Bi-Fold | Walk-in panels

See page 236 for size options



Low Profile 550mm Radius Tray 45mm

Compatible with the following enclosures:
Double sliding door quadrant | Single sliding door quadrant |
Hinged door quadrant
Available as a left or right configuration

See page 236 for size options



Bow Front Quadrant Tray

Compatible with the following enclosure:
Sliding bow quadrant

See page 236 for size options



Low Profile Quadrant Tray 45mm

Compatible with the following enclosure:
Off-set sliding door quadrant
Available as a left or right configuration

See page 237 for size options



Extension Kits | Installation Kits | Wastes

Extension kits and installation kits are available for raised installation, including legs and plinths. All trays are supplied with a 90mm waste.

For further details see page 237

NEW RANGES 2015



INSPIRING SHOWERS

At Tavistock, good design without great functionality just won't wash. That's why our range of thermostatic showers is designed to give you the best showering experience. They come with everything you need for quick and easy installation and have been built to last. They're great value too so you don't have to splash out.



— VARSITY —

When aiming for a more **PERIOD LOOK**, select one of our traditional Varsity shower systems to add just the **RIGHT FINISHING TOUCH**.

THERMOSTATIC EXPOSED SINGLE FUNCTION SHOWER VALVE SYSTEM



SVA1813 Thermostatic Exposed Single Function Shower Valve with Shower Head

£535.00

SHOWER SYSTEM FEATURES

Features include: 10 year guarantee | Adjustable height riser rail | Adjustable shower arm | Automatic shut down if cold water pressure should suddenly fail | Anti-Scald thermostatic control for safe showering | Built in limescale resistance | Brass hose | Complete shower kit ready to install | Minimum recommended pressure of 0.3bar

THERMOSTATIC EXPOSED DUAL FUNCTION SHOWER VALVE SYSTEM



SVA1712 Thermostatic Exposed Dual Function Shower Valve with Shower Head & Handset

£660.00

SHOWER SYSTEM FEATURES

Features include: 10 year guarantee | Adjustable height riser rail | Adjustable shower arm | Automatic shut down if cold water pressure should suddenly fail | Anti-Scald thermostatic control for safe showering | Built in limescale resistance | Brass hose | Complete shower kit ready to install | Minimum recommended pressure of 0.5bar

CHROME FINISH



— VARSITY —

When aiming for a more **PERIOD LOOK**, select one of our traditional Varsity shower systems to add just the **RIGHT FINISHING TOUCH**.

THERMOSTATIC CONCEALED SINGLE FUNCTION SHOWER VALVE SYSTEM

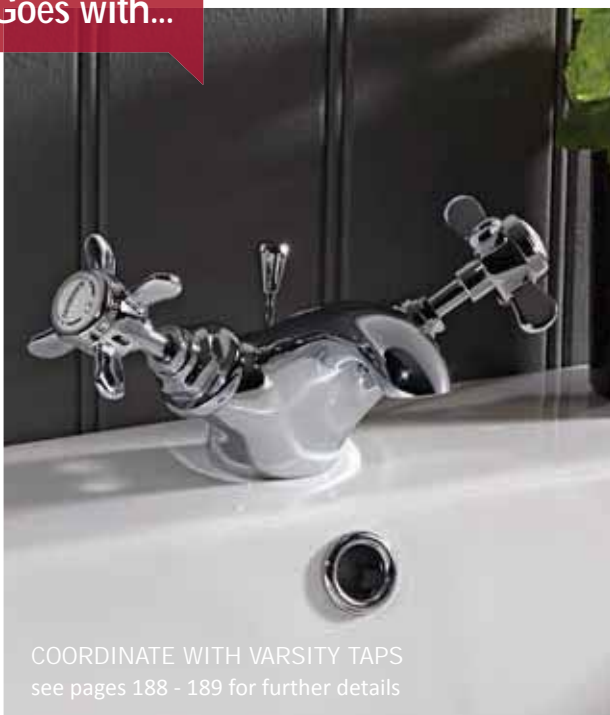


SVA0214 Thermostatic Concealed Single Function Shower Valve with Shower Head £415.00

SHOWER SYSTEM FEATURES

Features include: 10 year guarantee | Adjustable shower arm | Automatic shut down if cold water pressure should suddenly fail | Anti-Scald thermostatic control for safe showering | Built in limescale resistance | Complete shower kit ready to install | Minimum recommended pressure of 0.3bar

Goes with...



COORDINATE WITH VARSITY TAPS
see pages 188 - 189 for further details

THERMOSTATIC CONCEALED DUAL FUNCTION DIVERTER SHOWER VALVE SYSTEM



SVA1615 Thermostatic Concealed Dual Function Diverter Shower Valve with Shower Head & Single Function Handset £615.00

SHOWER SYSTEM FEATURES

Features include: 10 year guarantee | Adjustable shower arm | Automatic shut down if cold water pressure should suddenly fail | Anti-Scald thermostatic control for safe showering | Built in limescale resistance | Brass hose | Complete shower kit ready to install | Minimum recommended pressure of 0.5bar

CHROME FINISH



QUANTUM

Quantum shower systems are stylish and **CONTEMPORARY**. The large round shower head and multi function handset make it a **PERFECT** addition to any modern bathroom.

THERMOSTATIC CONCEALED DUAL FUNCTION DIVERTER VALVE SHOWER SYSTEM



SQT1611 Thermostatic Concealed Dual Function Diverter Valve with 200mm Round Shower Head & Multi Function Shower Handset **£422.00**

SHOWER SYSTEM FEATURES

10 year guarantee | Adjustable height riser rail | Adjustable shower arm | Automatic shut down if cold water pressure should suddenly fail | Anti-Scald thermostatic control for safe showering | Built in limescale resistance | PVC easy clean hose | Complete shower kit ready to install | Minimum recommended pressure of 0.5bar

THERMOSTATIC DIVERTER BAR VALVE WITH SHOWER HEAD SYSTEM



SQT1509 Thermostatic Diverter Bar Valve with 200mm Round Stainless Steel Shower Head and Multi Function Shower Handset **£308.00**

SHOWER SYSTEM FEATURES

10 year guarantee | Stainless steel shower head | Adjustable height rigid riser rail | Automatic shut down if cold water pressure should suddenly fail | Anti-Scald thermostatic control for safe showering | Built in limescale resistance | PVC easy clean hose | Easy fit compression fixing kit supplied for quick and easy installation | Minimum recommended pressure of 1.0bar

— QUANTUM —

Quantum shower systems are stylish and **CONTEMPORARY**. The large round shower head and multi function handset make it a **PERFECT** addition to any modern bathroom.



THERMOSTATIC DIVERTER BAR VALVE SHOWER SYSTEM WITH ACCESSORY SHELF AND SHOWER HEAD



SQT2009 Thermostatic Diverter Bar Valve and Accessory Shelf with Round Shower Head and Multi Function Shower Handset **£349.00**

SHOWER SYSTEM FEATURES

10 year guarantee | Adjustable height riser rail | Automatic shut down if cold water pressure should suddenly fail | Anti-Scald thermostatic control for safe showering | Built in limescale resistance | Combined accessory shelf and easy fixing kit | Complete shower kit ready to install | Minimum recommended pressure of 1.0bar

THERMOSTATIC DIVERTER BAR VALVE SHOWER SYSTEM WITH ACCESSORY SHELF



Useful
Accessory
Shelf

SQT1916 Thermostatic Diverter Bar Valve and Accessory Shelf with Multi Function Shower Handset £229.00

SHOWER SYSTEM FEATURES

10 year guarantee | Adjustable height riser rail | Automatic shut down if cold water pressure should suddenly fail | Anti-Scald thermostatic control for safe showering | Built in limescale resistance | Combined accessory shelf and easy fixing kit | Complete shower kit ready to install | Minimum recommended pressure of 0.3bar

THERMOSTATIC BAR VALVE SHOWER SYSTEM



Supplied with
Easy
Fixing Kit

SQT0616 Thermostatic Bar Valve with Multi Function Shower Handset £169.00

SHOWER SYSTEM FEATURES

10 year guarantee | Automatic shut down if cold water pressure should suddenly fail | Anti-Scald thermostatic control for safe showering | Built in limescale resistance | Easy fit compression fixing kit supplied for quick and easy installation | Minimum recommended pressure of 0.3bar

CHROME FINISH

INDEX

Make a **STYLE STATEMENT** in your bathroom. The angular design of the Index shower systems will complement our geometric styled taps beautifully.



THERMOSTATIC DIVERTER BAR VALVE SHOWER SYSTEM WITH ACCESSORY SHELF AND SHOWER HEAD



SND2008 Thermostatic Diverter Bar Valve and Accessory Shelf with Shower Head and Single Function Shower Handset **£419.00**

SHOWER SYSTEM FEATURES

10 year guarantee | Adjustable height riser rail | Automatic shut down if cold water pressure should suddenly fail | Anti-Scald thermostatic control for safe showering | Built in limescale resistance | Combined accessory shelf and easy fixing kit | Complete shower kit ready to install | Minimum recommended pressure of 1.0bar

THERMOSTATIC DIVERTER BAR VALVE SHOWER SYSTEM WITH ACCESSORY SHELF



SND1917 Thermostatic Diverter Bar Valve and Accessory Shelf with Single Function Shower Handset £229.00

SHOWER SYSTEM FEATURES

10 year guarantee | Adjustable height riser rail | Automatic shut down if cold water pressure should suddenly fail | Anti-Scald thermostatic control for safe showering | Built in limescale resistance | Combined accessory shelf and easy fixing kit | Complete shower kit ready to install | Minimum recommended pressure of 0.3bar

THERMOSTATIC BAR VALVE SHOWER SYSTEM



SND0617 Thermostatic Bar Valve with Single Function Shower Handset £189.00

SHOWER SYSTEM FEATURES

10 year guarantee | Stainless steel shower head | Adjustable height rigid riser rail | Automatic shut down if cold water pressure should suddenly fail | Anti-Scald thermostatic control for safe showering | Built in limescale resistance | Easy fit compression fixing kit supplied for quick and easy installation | Minimum recommended pressure of 0.3bar

INDEX

Make a **STYLE STATEMENT** in your bathroom. The angular design of the Index shower systems will complement our geometric styled taps beautifully.

THERMOSTATIC CONCEALED DUAL FUNCTION DIVERTER VALVE SHOWER SYSTEM



SND1610 Thermostatic Concealed Dual Function Diverter Valve with 220 x 220mm Square Shower Head & Single Function Shower Handset **£453.00**

SHOWER SYSTEM FEATURES

10 year guarantee | Automatic shut down if cold water pressure should suddenly fail | Anti-Scald thermostatic control for safe showering | Built in limescale resistance | PVC easy clean hose | Complete shower kit ready to install | Minimum recommended pressure of 0.5bar

THERMOSTATIC DIVERTER BAR VALVE SHOWER SYSTEM WITH SHOWER HEAD



SND1508 Thermostatic Diverter Bar Valve with 200 x 200mm Square Stainless Steel Shower Head and Single Function Shower Handset **£391.00**

SHOWER SYSTEM FEATURES

10 year guarantee | Stainless steel shower head | Adjustable height rigid riser rail | Automatic shut down if cold water pressure should suddenly fail | Anti-Scald thermostatic control for safe showering | Built in limescale resistance | PVC easy clean hose | Easy fit compression fixing kit supplied for quick and easy installation | Minimum recommended pressure of 1.0bar

— LOGIC —

Combine functionality and strong **GEOMETRIC STYLING** to superb effect. Logic embodies the best of modern design and is the **LOGICAL SOLUTION** for the style conscious.



COORDINATE WITH LOGIC TAPS
see pages 182 - 183 for further details

THERMOSTATIC CONCEALED DUAL FUNCTION DIVERTER VALVE SHOWER SYSTEM



SLG0304 Thermostatic Concealed Dual Function Shower Valve with Square Single Function Handset £575.00

SHOWER SYSTEM FEATURES

10 year guarantee | Automatic shut down if cold water pressure should suddenly fail | Anti-Scald thermostatic control for safe showering | Built in limescale resistance | PVC easy clean hose | Complete shower kit ready to install | Minimum recommended pressure of 0.5bar

CHROME FINISH

KINETIC

Sleek and **STYLISH**, Kinetic's range of shower kits offer great functionality and will make an **IMPACT** in any modern bathroom.



THERMOSTATIC CONCEALED DUAL FUNCTION DIVERTER VALVE SHOWER SYSTEM



SKN0303 Thermostatic Concealed Dual Function
Shower Valve with Round Shower Head
and Multi Function Handset

£575.00

SHOWER SYSTEM FEATURES

10 year guarantee | Automatic shut down if cold water pressure should suddenly fail | Anti-Scald thermostatic control for safe showering | Built in limescale resistance | PVC easy clean hose | Complete shower kit ready to install | Minimum recommended pressure of 0.5bar

THERMOSTATIC BAR VALVE SHOWER SYSTEM



SKN0601 Thermostatic Bar Valve with Multi Function Shower Handset £349.00

SHOWER SYSTEM FEATURES

10 year guarantee | Automatic shut down if cold water pressure should suddenly fail | Anti-Scald thermostatic control for safe showering | Built in limescale resistance | PVC easy clean hose | Easy fit compression fixing kit supplied for quick and easy installation | Minimum recommended pressure of 0.1bar

THERMOSTATIC BAR VALVE WITH SHOWER



Supplied with
Easy
Fixing Kit



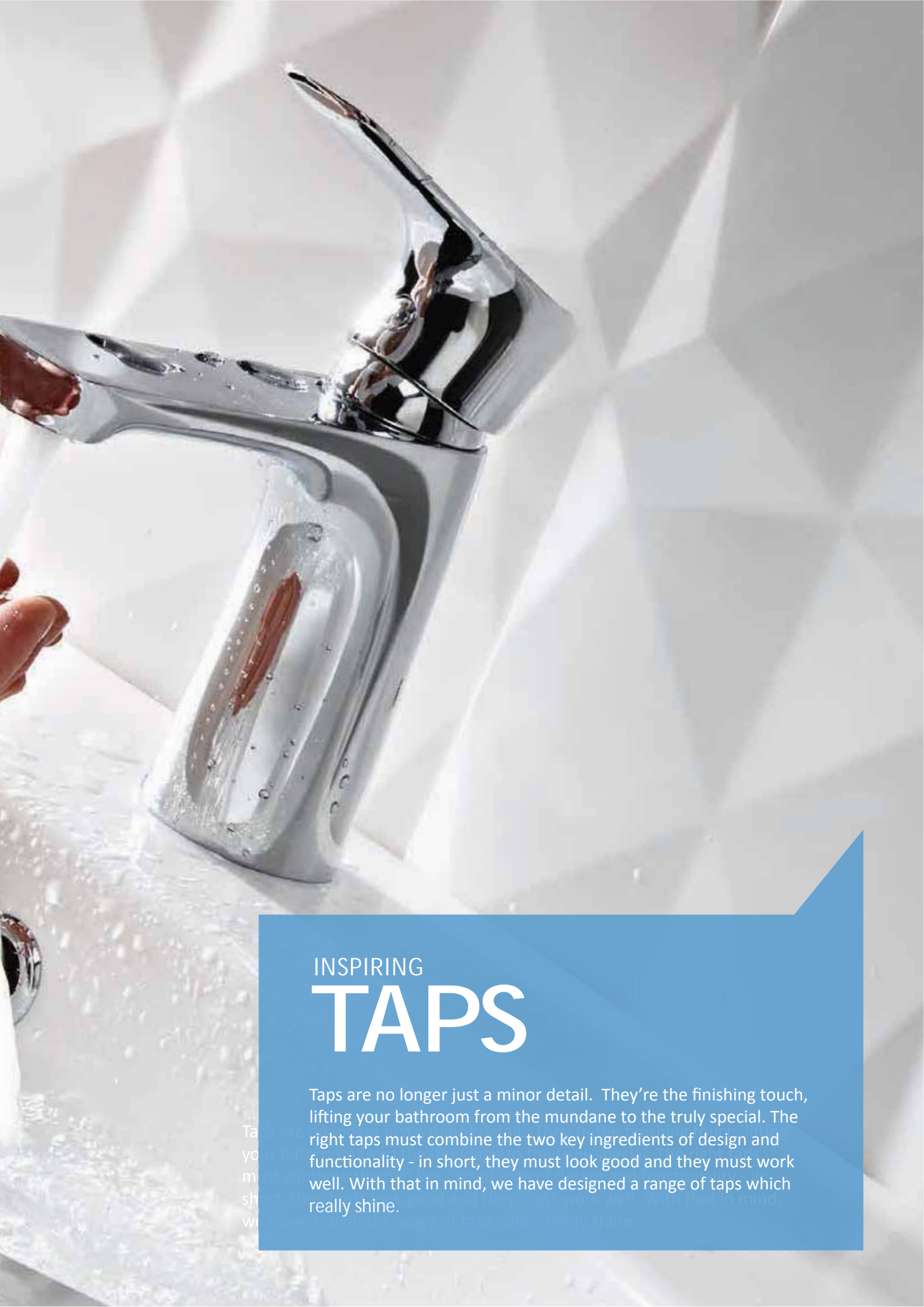
SKN0706 Thermostatic Bar Valve with Round Shower Head and Multi Function Shower Handset £535.00

SHOWER SYSTEM FEATURES

10 year guarantee | Adjustable height rigid riser rail | Automatic shut down if cold water pressure should suddenly fail | Anti-Scald thermostatic control for safe showering | Built in limescale resistance | PVC easy clean hose | Easy fit compression fixing kit supplied for quick and easy installation | Minimum recommended pressure of 0.5bar

NEW RANGES 2015





INSPIRING TAPS

Taps are no longer just a minor detail. They're the finishing touch, lifting your bathroom from the mundane to the truly special. The right taps must combine the two key ingredients of design and functionality - in short, they must look good and they must work well. With that in mind, we have designed a range of taps which really shine.

Taps are
your bat
must co
short. Th
we have

— REVIVE —

Let the **ELEGANT PROFILE** of Revive
breathe some life into your **BATHROOM DESIGN**.



BASIN MIXER WITH CLICK WASTE



TRV11 Basin Mixer with Click Waste £80.00
Minimum recommended pressure of 0.2bar
120(h) x 165(d)mm

BATH FILLER



TRV32 Bath Filler £100.00
Minimum recommended pressure of 0.2bar
240(w) x 170(h) x 235(d)mm



Goes with...

COORDINATE WITH COURIER FURNITURE see pages 26 - 31 for further details

REVIVE FEATURES

Low pressure

Suitable for all plumbing systems including conventional gravity fed systems and will operate at 0.2bar or above.

Lever action

Separate controls for hot and cold flow makes the Revive basin mixer and bath filler extremely easy to use.

Ceramic cartridge technology

Smooth, easy to use action giving accurate flow control.

5 year guarantee

Our taps are manufactured in a closely controlled environment with extensive quality control tests carried out. It is this attention to detail that allows us to confidently offer all of our taps with a 5 year guarantee.

SOLACE

The open spout design of Solace will give you
A SENSE OF WELLBEING every time you use it.



BASIN MIXER WITH CLICK WASTE



TSA11 Basin Mixer with Click Waste £115.00
Minimum recommended pressure of 1.0bar
80(h) x 185(d)mm

BATH FILLER



TSA32 Bath Filler £175.00
Minimum recommended pressure of 0.2bar
250(w) x 140(h) x 205(d)mm



Goes with...

COORDINATE WITH ARRAY FURNITURE see pages 08 - 15 for further details

SOLACE FEATURES

Low pressure

The Solace bath filler is suitable for all plumbing systems including conventional gravity fed systems and will operate at 0.2bar or above. The basin mixer requires 1.0bar.

Lever action

The single lever action makes the Solace basin mixer extremely easy and practical to use.

Ceramic cartridge technology

Smooth, easy to use action giving accurate flow control.

5 year guarantee

Our taps are manufactured in a closely controlled environment with extensive quality control tests carried out. It is this attention to detail that allows us to confidently offer all of our taps with a 5 year guarantee.

— STRIKE —

Strike's **TAPERED** body is echoed in its slim lever handle to create a simple yet **DISCERNING** look for your bathroom. Sure to be the next design classic.



MINI BASIN MIXER WITH CLICK WASTE



TSE61 Mini Basin Mixer with Click Waste £82.40
Minimum recommended pressure of 0.2bar
40(w) x 135(h) x 140(d)mm

BASIN MIXER WITH CLICK WASTE



TSE11 Basin Mixer with Click Waste £92.70
Minimum recommended pressure of 0.2bar
45(w) x 155(h) x 165(d)mm

Goes with...



COORDINATE WITH TEMPO FURNITURE
see pages 32 - 35 for further details

BATH FILLER



TSE32 Bath Filler £150.00
Minimum recommended pressure of 0.2bar
250(w) x 170(h) x 185(d)mm

STRIKE FEATURES

Low pressure

Suitable for all plumbing systems including conventional gravity fed systems and will operate at 0.2bar or above.

Lever action

The single lever action makes the Strike basin mixer extremely easy and practical to use.

Ceramic cartridge technology

Smooth, easy to use action giving accurate flow control.

5 year guarantee

Our taps are manufactured in a closely controlled environment with extensive quality control tests carried out. It is this attention to detail that allows us to confidently offer all of our taps with a 5 year guarantee.

— MELODY —

Its **PLEASING LINES** make the Melody basin mixer as easy on the eye as it is to use. **UNDERSTATED COOL** combines with practicality.



BASIN MIXER WITH CLICK WASTE



TMD11 Basin Mixer with Click Waste **£82.40**
Minimum recommended pressure of 0.2bar
52(w) x 160(h) x 175(d)mm

BATH FILLER



TMD32 Bath Filler **£150.00**
Minimum recommended pressure of 0.2bar
170(h) x 185(d)mm



Goes with...

COORDINATE WITH LANSDOWN FURNITURE see pages 20 - 25 for further details

MELODY FEATURES

Low pressure

Suitable for all plumbing systems including conventional gravity fed systems and will operate at 0.2bar or above.

Lever action

The single lever action makes the Melody basin mixer extremely easy and practical to use.

Ceramic cartridge technology

Smooth, easy to use action giving accurate flow control.

5 year guarantee

Our taps are manufactured in a closely controlled environment with extensive quality control tests carried out. It is this attention to detail that allows us to confidently offer all of our taps with a 5 year guarantee.

— VOICE —

This tap really has a lot to say for itself. Voice's **SIMPLE** lever styling has a **JAUNTY UPLIFTING** handle and spout, marking a distinct shift away from conventional straight lines.



BASIN MIXER WITH CLICK WASTE



TVC11 Basin Mixer with Click Waste **£103.00**
Minimum recommended pressure of 0.3bar
46(w) x 165(h) x 160(d)mm

BATH FILLER



TVC32 Bath Filler **£150.00**
Minimum recommended pressure of 0.2bar
240(w) x 150(h) x 215(d)mm



Goes with...

COORDINATE WITH EQUATE FURNITURE see pages 44 - 49 for further details

VOICE FEATURES

Low pressure

Suitable for all plumbing systems including conventional gravity fed systems and will operate at 0.2bar or above.

Lever action

The single lever action makes the Voice basin mixer extremely easy and practical to use.

Ceramic cartridge technology

Smooth, easy to use action giving accurate flow control.

5 year guarantee

Our taps are manufactured in a closely controlled environment with extensive quality control tests carried out. It is this attention to detail that allows us to confidently offer all of our taps with a 5 year guarantee.

Q60

With its **GEOMETRIC DESIGN** and **OPEN SPOUT** our Q60 range will suit the most contemporary of bathroom spaces.



BASIN MIXER WITH CLICK WASTE



TQ11 Basin Mixer with Click Waste **£122.50**
Minimum recommended pressure of 0.5bar
43(w) x 152(h) x 143(d)mm

BATH FILLER



TQ32 Bath Filler **£143.50**
Minimum recommended pressure of 1.5bar
230(w) x 143(h) x 145(d)mm

Goes with...



COORDINATE WITH Q60 SANITARYWARE
See pages 98 - 101 for further details

BATH SHOWER MIXER & HANDSET



TQ42 Bath Shower Mixer & Handset **£172.50**
Minimum recommended pressure of 2.0bar
230(w) x 143(h) x 145(d)mm

Q60 FEATURES

Open spout

This gorgeous open spout design echoes the latest trends in designer brassware and creates a pleasing waterfall effect.

Lever action

The single lever action makes Q60 taps extremely easy and practical to use.

Ceramic cartridge technology

Smooth, easy to use action giving accurate flow control.

5 year guarantee

Our taps are manufactured in a closely controlled environment with extensive quality control tests carried out. It is this attention to detail that allows us to confidently offer all of our taps with a 5 year guarantee.

CHROME FINISH

CHROME FINISH

— HYPE —

Hype's clean, flowing lines and elegant, **CURVED DESIGN** will give your bathroom an air of **PERFECT** tranquility.



BASIN MIXER WITH CLICK WASTE



THP11 Basin Mixer with Click Waste £72.50
Minimum recommended pressure of 0.2bar
153(h) x 135(d)mm

BATH FILLER



THP32 Bath Filler £122.00
Minimum recommended pressure of 0.2bar
161(h) x 148(d)mm

Goes with...



COORDINATE WITH VIBE SANITARYWARE
see pages 102 - 105 for further details

BATH SHOWER MIXER & HANDSET



THP42 Bath Shower Mixer & Handset £146.50
Minimum recommended pressure of 0.5bar
161(h) x 148(d)mm

HYPE FEATURES

Low pressure

Suitable for all plumbing systems including conventional gravity fed systems and will operate at 0.2bar or above (0.5bar for bath/shower mixer)

Lever action

The single lever action makes Hype taps extremely easy and practical to use

Ceramic cartridge technology

Smooth, easy to use action giving accurate flow control

5 year guarantee

Our taps are manufactured in a closely controlled environment with extensive quality control tests carried out. It is this attention to detail that allows us to confidently offer all of our taps with a 5 year guarantee

CHROME FINISH

CHROME FINISH

— LIFT —

Lift's **STREAMLINED** and perfectly proportioned design gives a simple yet **STYLISH** look for your bathroom.



BASIN MIXER WITH CLICK WASTE



TLF11 Basin Mixer with Click Waste £72.50
Minimum recommended pressure of 0.2bar
153(h) x 122(d)mm

BATH FILLER



TLF32 Bath Filler £122.00
Minimum recommended pressure of 0.2bar
136(h) x 143(d)mm

Goes with...



COORDINATE WITH MICRA SANITARYWARE
see pages 106 - 111 for further details

BATH SHOWER MIXER & HANDSET



TLF42 Bath Shower Mixer & Handset £146.50
Minimum recommended pressure of 0.5bar
136(h) x 143(d)mm

LIFT FEATURES

Low pressure

Suitable for all plumbing systems including conventional gravity fed systems and will operate at 0.2bar or above (0.5bar for bath/shower mixer)

Lever action

The single lever action makes Lift taps extremely easy and practical to use

Ceramic cartridge technology

Smooth, easy to use action giving accurate flow control

5 year guarantee

Our taps are manufactured in a closely controlled environment with extensive quality control tests carried out. It is this attention to detail that allows us to confidently offer all of our taps with a 5 year guarantee

CHROME FINISH

CHROME FINISH

KICK

Make a statement with the **BOLD CONTOURS** of Kick.
A dynamic design which will make your bathroom shine.



BASIN MIXER WITH CLICK WASTE



TKC11 Basin Mixer with Click Waste £98.20
 Minimum recommended pressure of 0.3bar
 154(h) x 144(d)mm

BATH FILLER



TKC32 Bath Filler £140.50
 Minimum recommended pressure of 0.5bar
 143(h) x 148(d)mm

Goes with...



COORDINATE WITH SWIFT FURNITURE
 see pages 66 - 69 for further details

BATH SHOWER MIXER & HANDSET



TKC42 Bath Shower Mixer & Handset £164.00
 Minimum recommended pressure of 1.0bar
 143(h) x 148(d)mm

KICK FEATURES

Low pressure

Suitable for all plumbing systems including conventional gravity fed systems and will operate at 0.3bar or above (0.5bar for bath filler and 1.0bar for bath shower mixer)

Lever action

The single lever action makes Kick taps extremely easy and practical to use

Ceramic cartridge technology

Smooth, easy to use action giving accurate flow control

5 year guarantee

Our taps are manufactured in a closely controlled environment with extensive quality control tests carried out. It is this attention to detail that allows us to confidently offer all of our taps with a 5 year guarantee

— BLAZE —

Despite its hot name, Blaze is the epitome of all things cool – all the way from its CONTEMPORARY clean body lines, to the sleek, lean spout.



MINI BASIN MIXER WITH CLICK WASTE



TBL61 Mini Basin Mixer with Click Waste £110.50
 Minimum recommended pressure of 0.2bar
 122(h) x 128(d)mm

BASIN MIXER WITH CLICK WASTE



TBL11 Basin Mixer with Click Waste £118.00
 Minimum recommended pressure of 0.2bar
 145(h) x 143(d)mm

BATH FILLER



TBL32 Bath Filler £180.00
 Minimum recommended pressure of 0.1bar
 123(h) x 148(d)mm

BATH SHOWER MIXER & HANDSET



TBL42 Bath Shower Mixer & Handset £209.50
 Minimum recommended pressure of 0.3bar
 123(h) x 148(d)mm

BLAZE FEATURES

Low pressure

Suitable for all plumbing systems including conventional gravity fed systems and will operate at 0.2bar or above (0.3bar for bath/shower mixer)

Lever action

The single lever action makes Blaze taps extremely easy and practical to use

Ceramic cartridge technology

Smooth, easy to use action giving accurate flow control

5 year guarantee

Our taps are manufactured in a closely controlled environment with extensive quality control tests carried out. It is this attention to detail that allows us to confidently offer all of our taps with a 5 year guarantee

— SIREN —

Siren cleverly combines mirror flat surfaces and super **SMOOTH CURVES** to stunning effect.
The **ELEGANT** profile screams urban sophistication and delivers a big impact.



MINI BASIN MIXER WITH CLICK WASTE



TSN61 Mini Basin Mixer with Click Waste £110.50
Minimum recommended pressure of 0.2bar
128(h) x 151(d)mm

BASIN MIXER WITH CLICK WASTE



TSN11 Basin Mixer with Click Waste £118.00
Minimum recommended pressure of 0.2bar
167(h) x 165(d)mm

BATH FILLER



TSN32 Bath Filler £180.00
Minimum recommended pressure of 0.1bar
123(h) x 159(d)mm

BATH SHOWER MIXER & HANDSET



TSN42 Bath Shower Mixer & Handset £209.50
Minimum recommended pressure of 0.3bar
123(h) x 159(d)mm

CHROME FINISH

CHROME FINISH

SIREN FEATURES

Low pressure

Suitable for all plumbing systems including conventional gravity fed systems and will operate at 0.2bar or above (0.3bar for bath/shower mixer)

Lever action

The single lever action makes Siren taps extremely easy and practical to use

Ceramic cartridge technology

Smooth, easy to use action giving accurate flow control

5 year guarantee

Our taps are manufactured in a closely controlled environment with extensive quality control tests carried out. It is this attention to detail that allows us to confidently offer all of our taps with a 5 year guarantee

— INDEX —

A new perspective on angular design, the **LINES** of the lever handle perfectly mirror the rectangular spout, creating a key **STYLE STATEMENT** sure to get noticed.



MINI BASIN MIXER WITH CLICK WASTE



TND61 Mini Basin Mixer with Click Waste £135.50
Minimum recommended pressure of 0.2bar
118(h) x 128(d)mm

BASIN MIXER WITH CLICK WASTE



TND11 Basin Mixer with Click Waste £149.00
Minimum recommended pressure of 0.2bar
161(h) x 148(d)mm

BATH FILLER



TND32 Bath Filler £227.00
Minimum recommended pressure of 0.1bar
123(h) x 138(d)mm

BATH SHOWER MIXER & HANDSET



TND42 Bath Shower Mixer & Handset £266.00
Minimum recommended pressure of 0.3bar
123(h) x 138(d)mm

INDEX FEATURES

Low pressure

Suitable for all plumbing systems including conventional gravity fed systems and will operate at 0.2bar or above (0.3bar for bath/shower mixer)

Lever action

The single lever action makes Index taps extremely easy and practical to use

Ceramic cartridge technology

Smooth, easy to use action giving accurate flow control

5 year guarantee

Our taps are manufactured in a closely controlled environment with extensive quality control tests carried out. It is this attention to detail that allows us to confidently offer all of our taps with a 5 year guarantee

— LOGIC —

Logic makes a strong **GEOMETRIC** statement for the bathroom and will complement your Tavistock **CONTEMPORARY** sanitaryware or furniture perfectly.



BASIN MIXER WITH CLICK WASTE



TLG11 Basin Mixer with Click Waste £100.50
Minimum recommended pressure of 0.2bar
143(h) x 95(d)mm

BATH FILLER



TLG32 Bath Filler £140.50
Minimum recommended pressure of 0.2bar
108(h) x 145(d)mm

Goes with...



COORDINATE WITH OPAL FURNITURE
see pages 76 - 79 for further details

BATH SHOWER MIXER & HANDSET



TLG42 Bath Shower Mixer & Handset £166.00
Minimum recommended pressure of 0.2bar
108(h) x 145(d)mm

LOGIC FEATURES

Low pressure

Suitable for all plumbing systems including conventional gravity fed systems and will operate at 0.2bar or above

Lever action

The single lever action makes Logic taps extremely easy and practical to use

Ceramic cartridge technology

Smooth, easy to use action giving accurate flow control

5 year guarantee

Our taps are manufactured in a closely controlled environment with extensive quality control tests carried out. It is this attention to detail that allows us to confidently offer all of our taps with a 5 year guarantee

KINETIC

Sleek and **STYLISH**, the Kinetic range offers a simple, characterful design perfect for today's bathroom.



KINETIC FEATURES

Low pressure

Suitable for all plumbing systems including conventional gravity fed systems and will operate at 0.1bar or above

Lever action

The single lever action makes Kinetic taps extremely easy and practical to use

Ceramic cartridge technology

Smooth, easy to use action giving accurate flow control

5 year guarantee

Our taps are manufactured in a closely controlled environment with extensive quality control tests carried out. It is this attention to detail that allows us to confidently offer all of our taps with a 5 year guarantee

MINI BASIN MIXER



- TKN60 Mini Mixer with Pop-Up Waste £91.00
 TKN62 Mini Mixer without Pop-up Waste £77.40
 Minimum recommended pressure of 0.1bar
 120(h) x 126(d)mm

BASIN MIXER



- TKN10 Basin Mixer with Pop-Up Waste £96.20
 TKN12 Basin Mixer without Pop-up Waste £83.30
 Minimum recommended pressure of 0.1bar
 150(h) x 152(d)mm

TALL BASIN MIXER



- TKN52 Tall Basin Mixer £121.00
 Minimum recommended pressure of 0.1bar
 314(h) x 150(d)mm

BASIN TAPS (PAIR)



- TKN70 Basin Taps (pair) £97.70
 Minimum recommended pressure of 0.1bar
 93(h) x 110(d)mm

MONO BATH MIXER



- TKN92 Mono Bath Mixer £191.50
 Minimum recommended pressure of 0.1bar
 167(h) x 166(d)mm

BATH FILLER



- TKN32 Bath Filler £146.50
 Minimum recommended pressure of 0.1bar
 117(h) x 160(d)mm

COORDINATE WITH KINETIC SHOWER SYSTEMS
 see pages 154 - 155 for further details

Goes with...



BATH SHOWER MIXER & HANDSET



- TKN42 Bath Shower Mixer & Handset £174.00
 Minimum recommended pressure of 0.1bar
 117(h) x 160(d)mm

— CRUZ —

Sculptured lines seamlessly blend with ergonomic design
to create a TIMELESS classic.



MINI BASIN MIXER WITHOUT POP UP WASTE



TCR62 Mini Mixer without Pop-Up Waste £77.40
Minimum recommended pressure of 0.2bar
131(h) x 123(d)

BASIN MIXER



TCR10 Basin Mixer with Pop-Up Waste £92.50
TCR12 Basin Mixer without Pop-Up Waste £80.30
Minimum recommended pressure of 0.1bar
143(h) x 150(d)mm

BATH FILLER



TCR32 Bath Filler £134.50
Minimum recommended pressure of 0.1bar
127(h) x 160(d)mm

BATH SHOWER MIXER & HANDSET



TCR42 Bath Shower Mixer & Handset £156.50
Minimum recommended pressure of 0.1bar
127(h) x 160(d)mm

CRUZ FEATURES

Low pressure

Suitable for all plumbing systems including conventional gravity fed systems and will operate at 0.1bar or above

Lever action

The single lever action makes Cruz taps extremely easy and practical to use

Ceramic cartridge technology

Smooth, easy to use action giving accurate flow control

5 year guarantee

Our taps are manufactured in a closely controlled environment with extensive quality control tests carried out. It is this attention to detail that allows us to confidently offer all of our taps with a 5 year guarantee

— VARSITY —

Varsity effortlessly captures a bygone era with its **TRADITIONALLY** styled **HANDLES** and attention to detail.



BASIN MIXER WITH POP UP WASTE



TVA10 Basin Mixer with Pop-Up Waste £97.40
Minimum recommended pressure of 0.1bar
100(h) x 140(d)mm

BASIN TAPS (PAIR)



TVA70 Basin Taps (pair) £56.80
Minimum recommended pressure of 0.1bar
123(h) x 125(d)mm

BATHFILLER



TVA32 Bath Filler £124.50
Minimum recommended pressure of 0.1bar
132(h) x 200(d)mm

BATH SHOWER MIXER & HANDSET



TVA42 Bath Shower Mixer & Handset £209.50
Minimum recommended pressure of 0.1bar
252(h) x 200(d)mm

VARSITY FEATURES

Low pressure

Suitable for all plumbing systems including conventional gravity fed systems and will operate at 0.1bar or above

Ceramic cartridge technology & 90° turn

Smooth, easy to use action giving accurate flow control. Quarter turn ceramic taps only require a 90° turn of the handle to move from fully open to closed

5 year guarantee

Our taps are manufactured in a closely controlled environment with extensive quality control tests carried out. It is this attention to detail that allows us to confidently offer all of our taps with a 5 year guarantee

WASTES

& TRAPS

Our tap ranges are perfectly complemented by our stylish and modern chrome plated bottle trap and collection of wastes. All bath taps are supplied without wastes as it is usual to purchase your waste with your bath. We have a choice of bath wastes with overflow in 2 different lengths depending upon your installation requirements.

Taps supplied with a pop-up waste include a waste outlet, pop-up rod and lifting mechanism. Please note that Revive, Solace, Strike, Melody, Voice, Q60, Hype, Kick, Lift, Blaze, Siren, Index and Logic mini and basin mixers are supplied with a click waste. For taps supplied without pop-up wastes, we have a few waste options as shown. Unslotted wastes are for use where no integral overflow is required in the washbasin. If your basin is wall hung choose our modern chrome trap or the more traditional styled version to complement your taps perfectly.

1



2



3



4



5



6



7



8

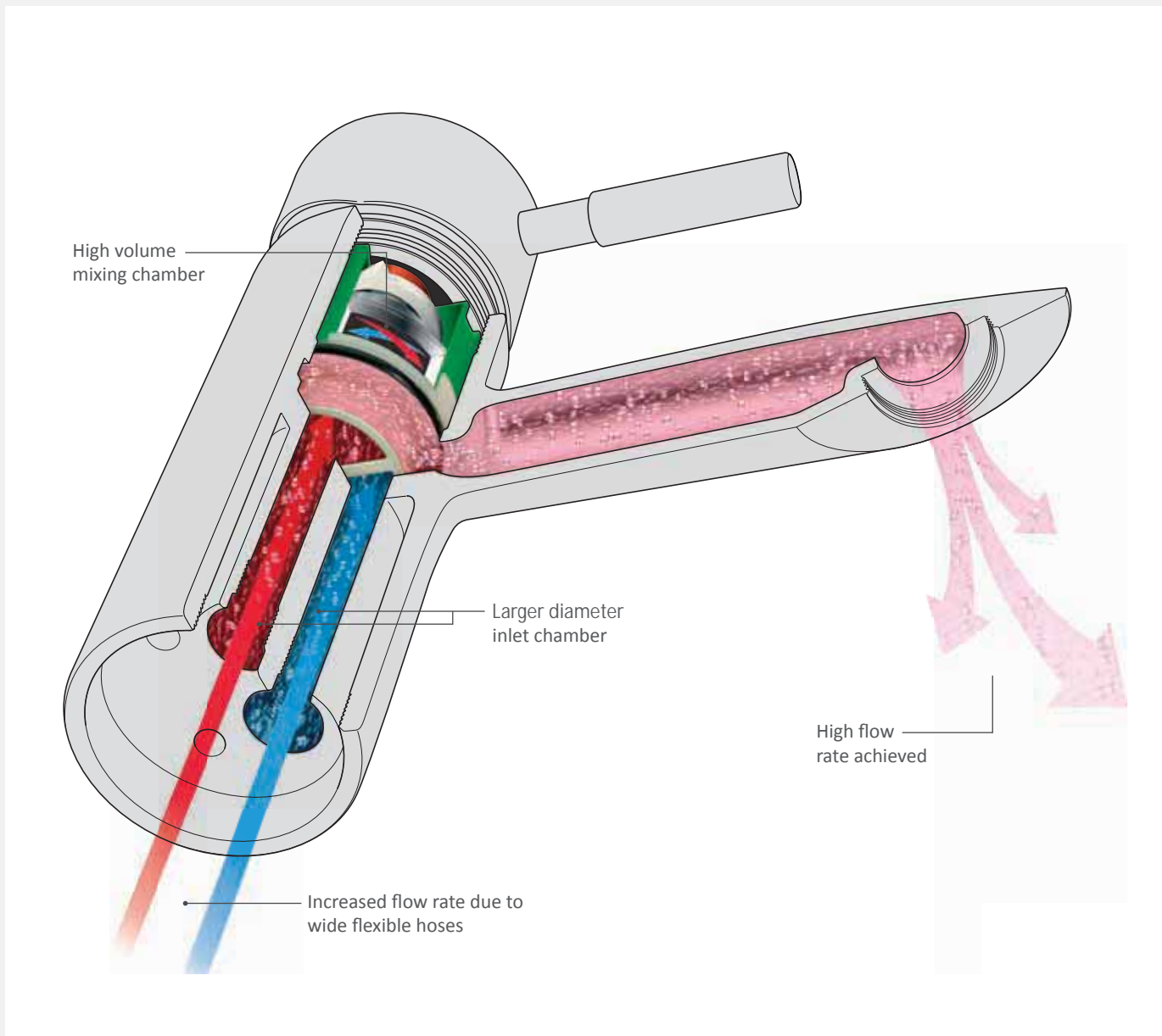


WASTES AND TRAP PRODUCT INFORMATION

Product	Code	RRP inc VAT
1 65mm Unslotted Click Waste	WASTE6	£12.90
2 65mm Slotted Click Waste	WASTE7	£12.90
3 100mm Slotted Click Waste	WASTE9	£15.50
4 100mm Slotted Click Waste	WASTE10	£14.30
5 Bottle Trap	TRAP6	£40.10
6 Pop-Up Cable Bath Waste & Overflow (670mm hose)	WASTE20	£30.80
7 Click Bath Waste & Overflow (670mm hose)	WASTE21	£23.40
8 Pop-Up Cable Bath Waste & Overflow (1020mm hose)	WASTE30	£37.60

DESIGN

DETAIL



Tap Operating Pressure

Plumbing systems can sometimes suffer from poor flow rates. The UK is unique in that many homes are still using the more traditional, low pressure gravity fed plumbing systems which are most commonly found in older properties.

European manufacturers tend to design taps suitable for more modern plumbing systems which can often cause problems when installed in a typical UK home, resulting in a disappointing flow rate when using the taps.

Tavistock's in-house design team have recognised this problem and engineered our taps so that all of them are suitable for use with both high and low pressure systems.

Most of our taps operate at 0.1bar or above (0.1bar is equal to 1 metre head of water). In plumbing terms this means, for a gravity fed system, if the base height of your water tank is 1m above a tap, then you will have 0.1bar of water pressure at the tap.

If you are unsure, we recommend you seek advice from your plumber who will advise you on the plumbing system you have and the likely water pressures it can achieve. If pressures are too low even for our low pressure taps, you will be able to increase your water pressure using a suitable water pump, and again either your retailer or plumber can advise you on this. Please note that all of our taps are also suitable for high pressure plumbing systems.

NEW RANGES 2015





INSPIRING

CABINETS

Our stylish range of cabinets will give you a calming, clutter-free space. You can treat yourself to a variety of special touches, such as soft close doors, double sided mirrors, integrated lighting and even internal shaver/ toothbrush re-charging sockets.

— DYNAMIC —

The impressive Dynamic cabinet features **INTEGRATED LED** lighting which is really bright and very effective. Operated by infrared sensor it provides a **GREAT TASK LIGHT**.



DYNAMIC SINGLE MIRROR DOOR CABINET



DY44AL Dynamic Single Door Cabinet With Integrated LED Lighting £355.00
440(w) x 650(h) x 130(d)mm

DYNAMIC DOUBLE MIRROR DOOR CABINET



DY60AL Dynamic Double Door Cabinet With Integrated LED Lighting £420.00
600(w) x 650(h) x 130(d)mm



DYNAMIC FEATURES

Energy saving functional lighting

Dynamic cabinets feature integrated overhead lighting using energy efficient diffused LEDs to create bright, stunning illumination. Easily operated by infrared sensor.

Adjustable shelves

Dynamic cabinets are supplied with two adjustable shelves, providing ample storage for all your bathroom products.

Anodised aluminium construction

Solid, robust aluminium-bodied construction makes your Dynamic cabinet hardwearing, rust proof and easy to maintain.

IP44

Our cabinets have been designed and independently tested for compliance with electrical equipment (safety) regulations. Cabinets which are IP44 water resistance rated are suitable for use in zones 2 and outside zones in the bathroom. Please see the diagram on page 250 which illustrates zones within a standard bathroom.

— CONDUCT —

With its overhead **ENERGY SAVING** led lighting, soft close mirror doors and plenty of storage space the Conduct cabinet range is simple and yet super stylish.



CONDUCT SINGLE MIRROR DOOR CABINET



CO44AL Conduct Single Door Cabinet With
Integrated LED Lighting
440(w) x 690(h) x 130(d)mm

£188.50

CONDUCT DOUBLE MIRROR DOOR CABINET



CO60AL Conduct Double Door Cabinet With
Integrated LED Lighting
600(w) x 690(h) x 130(d)mm

£245.50



CONDUCT FEATURES

Energy saving functional lighting

Conduct cabinets feature overhead lighting using energy efficient diffused LEDs to create bright, stunning illumination.

Adjustable shelves

Conduct cabinets are supplied with two adjustable shelves, providing ample storage for all your bathroom products.

Anodised aluminium construction

Solid, robust aluminium-bodied construction makes your Conduct cabinet hardwearing, rust proof and easy to maintain.

IP44

Our cabinets have been designed and independently tested for compliance with electrical equipment (safety) regulations. Cabinets which are IP44 water resistance rated are suitable for use in zones 2 and outside zones in the bathroom. Please see the diagram on page 250 which illustrates zones within a standard bathroom.

BALANCE

Sometimes **SIMPLE** is best. Balance aluminium cabinets feature soft close doors and are available in both single and double door options



BALANCE SINGLE MIRROR DOOR CABINET



BA44AL Balance Cabinet - Single Mirror Door £150.00
440(w) x 650(h) x 130(d)mm

BALANCE DOUBLE MIRROR DOOR CABINET



BA60AL Balance Cabinet - Double Mirror Door £207.00
600(w) x 650(h) x 130(d)mm



BALANCE FEATURES

Soft close hinges

The soft close dampers on Balance cabinet doors allow for smooth, quiet closure.

Adjustable shelves

Balance cabinets are supplied with two adjustable shelves, providing ample storage for all your bathroom products.

Anodised aluminium construction

Solid, robust aluminium-bodied construction of your Balance cabinet makes it hardwearing, rust proof and easy to maintain.

— OBSERVE —

Observe will **COMPLEMENT** your Courier or Swift furniture perfectly.
Available in two finishes with a **MATCHING INTERNAL SHELF** and soft close doors.



OBSERVE DOUBLE MIRROR DOOR CABINET



OB60W Observe Cabinet with Double Mirror Door
Gloss white finish
600(w) x 650(h) x 115(d)mm **£145.00**

OBSERVE DOUBLE MIRROR DOOR CABINET



OB60M Observe Cabinet with Double Mirror Door
Montana gloss finish
600(w) x 650(h) x 115(d)mm **£145.00**



OBSERVE FEATURES

Soft Close Doors

The soft close dampers on Observe cabinet doors allow for smooth, quiet closure.

Finish Options

Available in both white and montana gloss finishes, Observe double door cabinets will coordinate perfectly with your Tavistock furniture.

Matching Internal Shelves

The fixed shelf on this range matches the carcass of the cabinet.

— IDEA —

Sleek, ALUMINIUM cabinets with integrated fluorescent lighting and soft close doors. The perfect storage solution for the MODERN BATHROOM



IDEA SINGLE MIRROR DOOR CABINET



ID50AL Idea Single Door Cabinet With Integrated Fluorescent Lighting
507(w) x 706(h) x 142(d)mm

£505.00

IDEA DOUBLE MIRROR DOOR CABINET



ID60AL Idea Double Door Cabinet With Integrated LED Lighting
610(w) x 706(h) x 142(d)mm

£600.00



IDEA FEATURES

Integrated fluorescent lighting

Cleverly designed integrated fluorescent lighting is featured down each side of the cabinet, providing useful task lighting as well as illuminating inside the cabinet when the doors are open.

2 x 15w lamps.

Infrared on/off switch

A safe and easy to use infrared on/off switch allows you to activate the lighting without touch. Simply move your hand in front of the sensor.

Important - all cabinets featuring infrared technology must be mounted a minimum of 150mm from an adjacent wall or obstruction to ensure correct function of the infrared sensor. See page 258 for electrical specifications.

Re-charging socket

These cabinets feature an internal power socket for electric shavers and toothbrushes. The socket can be operated independently to the lights.

Glass shelves

Idea cabinets are supplied with three adjustable glass shelves, providing ample storage for all your bathroom products.

Anodised aluminium construction

Solid, robust aluminium-bodied construction of your Idea cabinet makes it hardwearing, rust proof and easy to maintain.

— MOVE —

SLEEK aluminium cabinets with soft close doors.
Available in single and double door options.



MOVE SINGLE MIRROR DOOR CABINET



MO48AL Move Cabinet - Single Mirror Door £221.50
482(w) x 700(h) x 120(d)mm

MOVE DOUBLE MIRROR DOOR CABINET



MO58AL Move Cabinet - Double Mirror Door £259.00
580(w) x 700(h) x 120(d)mm



MOVE FEATURES

Slim Profile

At just 120mm in depth, Move cabinets help save on space in your bathroom.

Soft close doors

The soft close dampers on Move cabinet doors allow for smooth, quiet closure.

Glass Shelves

Move cabinets are supplied with two adjustable glass shelves, providing ample storage for all your bathroom products.

Anodised Aluminium Construction

Solid, robust aluminium-bodied construction of your Move cabinet makes it hardwearing, rust proof and easy to maintain.

— DETAIL —

A range of **REAL WOOD VENEER** or high gloss white finish cabinets with soft close doors. Available in single or double door formats



DETAIL SINGLE MIRROR DOOR CABINET



DE47W	Detail Cabinet - Single Mirror Door, Gloss White 475(w) x 650(h) x 130(d)mm	£141.50
DE47AW	Detail Cabinet - Single Mirror Door, Walnut 475(w) x 650(h) x 130(d)mm	£154.00

DETAIL DOUBLE MIRROR DOOR CABINET



DE60W	Detail Cabinet - Double Mirror Door, Gloss White 600(w) x 650(h) x 130(d)mm	£178.50
DE60AW	Detail Cabinet - Double Mirror Door, Walnut 600(w) x 650(h) x 130(d)mm	£191.00



DETAIL FEATURES

Soft close doors

The soft close dampers on Detail cabinet doors allow for smooth, quiet closure.

Glass shelves

Detail cabinets are supplied with two adjustable glass shelves, providing ample storage for all your bathroom products.

Finish options

Available in white gloss and walnut finishes, Detail cabinets works well with Tavistock bathroom furniture.

NEW PRODUCT 2015



INSPIRING

MIRRORS

With a myriad of additional touches such as heated demister pads and ambient lighting, our mirrors will give your daily routine a special lift. The right mirror will enlarge the smallest of spaces, reflecting light and brightening your room and your day.

All of our illuminated mirrors are IP44 rated, so whichever mirror you choose you can be sure that it has been tested for safe use in the bathroom.

LED

Add some **SPARKLE** to your bathroom with one of our bright LED mirrors. We have added five **NEW LED BACKLIT MIRRORS** which utilise the very latest in energy saving LED technology



LED ILLUMINATED MIRROR FEATURES



Standard LED mirrors



Backlit LED mirrors



Infrared sensor



Heated demister pad

Infrared on/off switch

A safe and easy to use infrared on/off switch lets you activate lighting without the need to touch the mirror. Simply move your hand in front of the sensor to activate.

Important: When mounting mirrors with infrared switches, the sensor must be at least 150mm from an adjacent wall or obstruction to ensure the switch can function properly.

Heated demister pads

Heated demister pads heat the mirror to a few degrees above room temperature within 2-3 minutes, preventing the mirror from misting in even the steamiest of bathrooms.



LED ILLUMINATED MIRROR FEATURES



Ambient lighting



Tapered body design



Ambient lighting

For additional mood lighting in the bathroom, stunning effects are created with ambient LED lighting.

Tapered body

Our mirrors with a tapered body profile have an elegant slimline look which makes them appear to float on the wall.

Zones for electrical equipment in close proximity to bath & showers


Our mirrors have been designed and independently tested for compliance with electrical equipment (safety) regulations. Mirrors which are IP44 water resistance rated are suitable for use in zones 2 and outside zones in the bathroom. Please see the diagram on page 250 for further information.

Features do not apply to every mirror. See details on each mirror to see which features apply.

PITCH mirror with **Bluetooth**® wireless technology



SLE530 Pitch Illuminated Mirror £369.00
500(w) x 700(h) x 53(d)mm

Features include: **Bluetooth**® wireless technology | Integrated stereo speakers | Energy efficient LED lighting system | Infrared sensor | IP44 



PITCH MIRROR INTEGRATED SPEAKER

PITCH MIRROR FEATURES

- Integrate music seamlessly into your bathroom with the Pitch LED Mirror, equipped with **Bluetooth**® wireless technology & integrated stereo speakers
- Easy to use - simply pair with your **Bluetooth**® enabled mobile or tablet, then use your device to control your choice of music

PRIDE LED ILLUMINATED MIRROR



SLE570 Pride Illuminated Mirror £319.00
600(w) x 810(h) x 30(d)mm

Features include: Energy efficient LED lighting system | Infrared sensor | IP44 | Can be hung landscape or portrait

REFORM LED BACKLIT ILLUMINATED MIRROR



SLE540 Reform Illuminated Mirror £299.00
500(w) x 700(h) x 30(d)mm

Features include: Energy efficient LED backlit technology | Heated demister pad | Infrared sensor | Ultra slim tapered body | IP44 | Can be hung landscape or portrait

APPEAR LED BACKLIT ILLUMINATED MIRROR



SLE550 Appear Illuminated Mirror £339.00
900(w) x 600(h) x 30(d)mm

Features include: Energy efficient LED lighting system | Heated demister pad | Infrared sensor | Ultra slim tapered body | IP44 | Can be hung landscape or portrait

DRIFT LED BACKLIT ILLUMINATED MIRROR



SLE560 Drift Illuminated Mirror £399.00
1200(w) x 500(h) x 30(d)mm

Features include: Energy efficient LED lighting system | Heated demister pad | Infrared sensor | Ultra slim tapered body | IP44 | Can be hung landscape or portrait

CORE LED ILLUMINATED MIRROR



SLE500 Core LED Illuminated Mirror £229.00
550(w) x 700(h) x 50(d)mm

Features include: Energy efficient LED lighting system | Heated demister pad | Rocker switch | IP44 | Can be hung landscape or portrait

DIFFUSE LED BACKLIT ILLUMINATED MIRROR



SLE520 Diffuse LED Backlit Illuminated Mirror £186.50
530(w) x 730(h) x 40(d)mm

Features include: Energy efficient LED backlit technology | Heated demister pad | Infrared sensor | IP44 | Can be hung landscape or portrait

TRANSMIT LED BACKLIT ILLUMINATED MIRROR



SLE510 Transmit LED Backlit Illuminated Mirror £176.00
450(w) x 700(h) x 40(d)mm

Features include: Energy efficient LED backlit technology | Heated demister pad | Infrared sensor | IP44 | Can be hung landscape or portrait

REFRACTION LED ILLUMINATED MIRROR



SLE410 Refraction Illuminated Mirror (46 LEDs) £320.00
530(w) x 730(h) x 40(d)mm

Features include: Ambient lighting | Heated demister pad | Infrared sensor | IP44 | Can be hung landscape or portrait

MOMENTUM LED ILLUMINATED MIRROR



SLE400 Momentum Illuminated Mirror (24 LEDs) £292.00
450(w) x 700(h) x 40(d)mm

Features include: Ambient lighting | Heated demister pad | Infrared sensor | IP44

AVENT LED ILLUMINATED MIRROR



SLE440 Avent Illuminated Mirror (48 LEDs) £168.50
450(w) x 700(h) x 40(d)mm

Features include: Rocker switch | IP44 | Can be hung landscape or portrait

BACKLIT

Feel like a film **STAR** when you add a **STUNNING** fluorescent backlit mirror to your bathroom



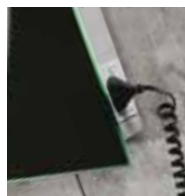
FLUORESCENT BACKLIT ILLUMINATED MIRROR FEATURES



Magnifying mirror



Tapered body design



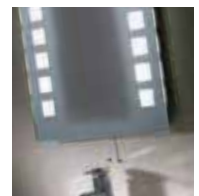
Re-charging socket



Ambient lighting



Infrared sensor



Heated demister pad

Infrared on/off switch

A safe and easy to use infrared on/off switch lets you activate lighting without the need to touch the mirror. Simply move your hand in front of the sensor to activate.

Important: When mounting mirrors with infrared switches, the sensor must be at least 150mm from an adjacent wall or obstruction to ensure the switch can function properly.

Re-charging socket

An integrated power socket for electric shavers and toothbrushes.

Heated demister pads

Heated demister pads heat the mirror to a few degrees above room temperature within 2-3 minutes, preventing the mirror from misting in even the steamiest of bathrooms.

Ambient lighting

For additional mood lighting in the bathroom, stunning effects are created with ambient lighting.

Tapered body

Our mirrors with a tapered body profile have an elegant streamline look which makes them appear to float on the wall.

Magnifying glass

A useful illuminated magnifying mirror, which magnifies objects to double their size, is great for shaving and applying make-up.

Zones for electrical equipment in close proximity to bath & showers

Our mirrors have been designed and independently tested for compliance with electrical equipment (safety) regulations. Mirrors which are IP44 water resistance rated are suitable for use in zones 2 and outside zones in the bathroom. Please see the diagram on page 250 which illustrates zones within a standard bathroom.

Features do not apply to every mirror. See details on each mirror to see which features apply.

EQUALISE ILLUMINATED MIRROR



SBL17 Equalise Illuminated Mirror (40 watts) £348.00
600(w) x 800(h) x 50(d)mm

Features include: Tapered body | Re-charge socket | Heated demister pad | Infrared sensor | IP44 | Can be hung landscape or portrait

VAPOUR ILLUMINATED MIRROR



SBL16 Vapour Illuminated Mirror (40 watts) £343.00
600(w) x 800(h) x 50(d)mm

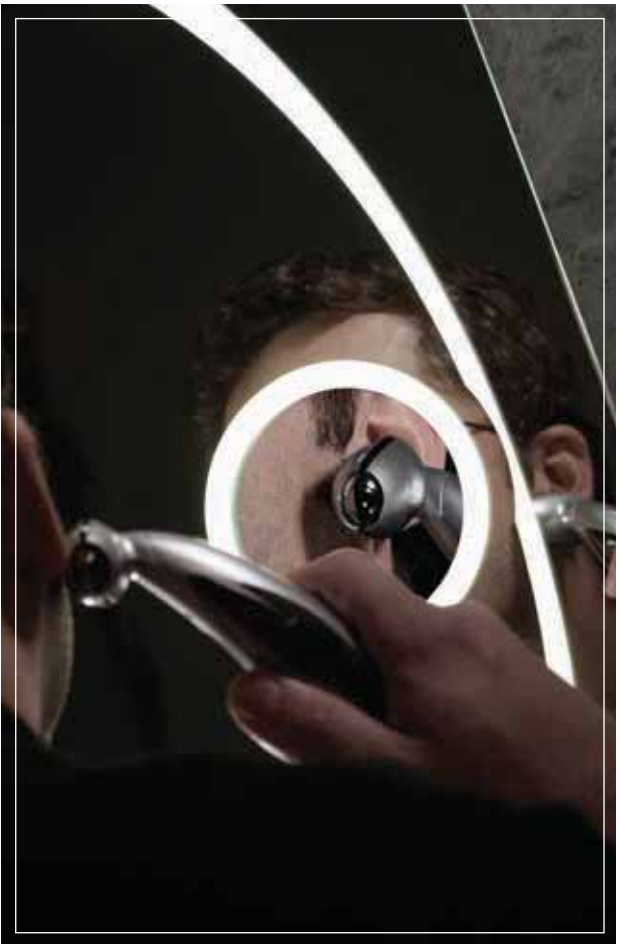
Features include: Magnifying mirror | Re-charge socket | Heated demister pad | Infrared sensor | IP44 | Can be hung landscape or portrait

TRANSFORM ILLUMINATED MIRROR



SBL10 Transform Illuminated Mirror (40 watts) £292.00
600(w) x 800(h) x 50(d)mm

Features include: Ambient lighting | Heated demister pad | Infrared sensor | IP44 | Can be hung landscape or portrait



MOOD ILLUMINATED MIRROR



SBL14 Mood Illuminated Mirror (40 watts) £228.00
450(w) x 700(h) x 45(d)mm

Features include: Ambient lighting | Heated demister pad | Infrared sensor | IP44 | Can be hung landscape or portrait

ALIGN ILLUMINATED MIRROR



SBL15 Align Illuminated Mirror (2 x 13 watts) £157.00
450(w) x 700(h) x 40(d)mm

Features include: Rocker switch | IP44 | Can be hung landscape or portrait





INSPIRING

BATH PANELS & TOILET SEATS

The difference is in the detail. The right bath panel and toilet seat will enrich and complete your bathroom design. Whether you prefer traditional elegance or a bold contemporary look, you'll find the finish and style to suit your taste. Treat yourself to special touches such as real wood veneers and soft close hinges.



BATH PANELS

Our white or wood veneer bath panels will coordinate perfectly with your bathroom look.

ETHOS BATH PANELS



gloss white



beech



walnut



natural oak

ETHOS GLOSS WHITE FINISH

EPP304W	1800mm Side Panel	£73.00
EPP301W	1700mm Side Panel	£65.20
EPP302W	700mm End Panel	£34.90

ETHOS BEECH FINISH

EPP301B	1700mm Side Panel	£65.20
EPP302B	700mm End Panel	£34.90

ETHOS WALNUT FINISH

EPP301AW	1700mm Side Panel	£69.70
EPP302AW	700mm End Panel	£36.90

ETHOS NATURAL OAK FINISH

EPP301O	1700mm Side Panel	£65.20
EPP302O	700mm End Panel	£34.90

The contemporary pared down design of the Ethos panel will add the perfect finishing touch to your bathroom.

Ethos is manufactured from 12 mm MDF, and features a high quality real wood veneer or painted finish | Available in walnut, beech, natural oak or gloss white painted finish, sealed with a moisture resistant coating | Supplied in 1700 mm and 700 mm lengths | The white finish is also available in 1800mm length.

Bath panel height 515mm including 5mm lip.



MILTON BATH PANELS



white

limed oak

mahogany

antique pine

Milton is manufactured from 12mm MDF with quality wood veneer. Available in a selection of finishes and sizes.

Bath panel 515mm height including 5mm lip.

WHITE FINISH

0322	1500mm Side Panel	£55.00
0323	1600mm Side Panel	£55.00
0313	1700mm Side Panel	£65.20
0317	700mm End Panel	£34.90

LIMED OAK FINISH

0321	1500mm Side Panel	£58.30
0326	1600mm Side Panel	£58.30
0314	1700mm Side Panel	£69.70
0318	700mm End Panel	£36.90

ANTIQUÉ PINE FINISH

0320	1500mm Side Panel	£55.00
0324	1600mm Side Panel	£55.00
0312	1700mm Side Panel	£65.20
0316	700mm End Panel	£34.90

MAHOGANY FINISH

0319	1500mm Side Panel	£55.00
0325	1600mm Side Panel	£55.00
0311	1700mm Side Panel	£65.20
0315	700mm End Panel	£34.90

MERIDIAN BATH PANELS



There are a selection of bath panels to complement your installation. The white routed panels offer great versatility as they can be cut down to size (front panel: 1700mm to 1500mm and end panel: 750mm to 700mm) without affecting the design. The plain white front and end panels are simple and stylish and offer great value for money.

A coordinating Meridian toilet seat is available, see page 223 for further details. Bath panel height 520mm.

MERIDIAN ROUTED WHITE FINISH

MPR2W	1700mm Side Panel	£83.20
MPR2EW	750mm End Panel	£51.50

MERIDIAN PLAIN WHITE FINISH

MPP3W	1700mm Side Panel	£51.50
MPP3EW	700mm End Panel	£31.80



Meridian is also available in a plain finish

ASPEN BATH PANELS

Coordinate with
Aspen
Furniture



ASPEN WHITE FINISH

A304	1800mm Side Panel	£165.00
A305	800mm End Panel	£104.50
A301	1700mm Side Panel	£137.50
A302	700mm End Panel	£80.50
A303	750mm End Panel	£90.30

Aspen bath panels are manufactured from 20mm durable MDF with a tough, high gloss lacquer, providing a water resistant surface, vital within the bathroom environment.

Coordinating bathroom furniture is available, see pages 80-81 | Bath panel supplied with height adjustable plinth allowing an overall height of 430mm - 560mm.

TOILET SEATS

Wood veneer or thermoset, soft-closing or standard hinges, whatever your seat **REQUIREMENTS**, you'll find them here.

PREMIER TOILET SEAT



Natural Oak



White



Limed Oak



Antique Pine



Mahogany

PREMIER SEAT WITH CHROME BAR HINGE

O310	Natural Oak Wood Veneer Toilet Seat	£51.30
O208	White Painted Toilet Seat	£46.90
O210	Limed Oak Wood Veneer Toilet Seat	£51.30
O204	Antique Pine Wood Veneer Toilet Seat	£46.90
O202	Mahogany Wood Veneer Toilet Seat	£46.90

Features include: Real wood veneer (with the exception of the white painted finish) | Attractive, fully adjustable bar hinge | Lifetime guarantee against seat breakage | Unique non-loosening 5-point hinge fixing system with lifetime guarantee against corrosion | Non-slip lid & ring buffers | Manufactured from sturdy 18mm MDF

MILLENNIUM TOILET SEAT



Walnut



Limed oak



Beech



White



Antique Pine



Natural Oak



Mahogany

MILLENNIUM SEAT WITH CHROME HINGE

O142M	Walnut Wood Veneer Toilet Seat	£44.70
O107M	Limed Oak Wood Veneer Toilet Seat	£44.70
O140M	Beech Wood Veneer Toilet Seat	£44.70
O108M	White Toilet Seat	£40.40
O104M	Antique Pine Wood Veneer Toilet Seat	£40.40
O141M	Natural Oak Wood Veneer Toilet Seat	£44.70
O103M	Mahogany Wood Veneer Toilet Seat	£40.40

Features include: Manufactured from sturdy 15mm MDF | Lifetime guarantee against seat breakage | Unique non-loosening 5-point hinge fixing system with lifetime guarantee against corrosion | Non-slip lid & ring buffers

MERIDIAN TOILET SEAT



MSM1W High Gloss White Moulded Wood Toilet Seat **£17.10**

Manufactured from 15mm moulded wood | Durable plastic fully adjustable hinges | Designed to fit most toilet pans

TOPAZ TOILET SEAT



O701T High Gloss White Moulded Wood Toilet Seat **£27.30**

Manufactured from 18mm moulded wood | Unique non-loosening 5-point hinge fixing system with lifetime guarantee against corrosion | Designed to fit most toilet pans



NORDIC TOILET SEAT



O805SC White Quick Release Soft Close Thermoset Toilet Seat **£39.20**

Highly durable thermoset material with built in UV protection | Modern wrap over design | Soft close, top fix hinges | Quick release for ease of cleaning | Designed to fit most toilet pans | Weight 2.1kg | 5 year guarantee against seat breakage

VERVE TOILET SEAT



9001WS White Thermoset Seat With Swivel Hinges **£20.50**

Highly durable thermoset material with built in UV protection | Adjustable stainless steel bottom fix hinges | Designed to fit most toilet pans | Weight 1.7kg | 5 year guarantee against seat breakage

ASPIRE TOILET SEAT



O801A White Slim Profile Thermoset Toilet Seat **£37.30**

Highly durable thermoset material with built in UV protection | Adjustable stainless steel hinge | Corrosion free hinges | Designed to fit most toilet pans | Weight 2.4kg | Lifetime guarantee against seat breakage

ALPINE TOILET SEAT



O803SC White Quick Release Soft Close Thermoset Toilet Seat **£39.20**

Highly durable thermoset material with built in UV protection | Soft close hinge mechanism | Adjustable stainless steel hinges | Quick release for ease of cleaning | Top fixings for ease of installation | Designed to fit most pans | Weight 1.9kg | 5 year guarantee against seat breakage

ECLIPSE TOILET SEAT



81152 White Soft Close Thermoset Toilet Seat **£46.00**

Highly durable thermoset material with built in UV protection | Slim profile | Chrome plated soft close hinge mechanism | Adjustable corrosion free hinges | Designed to fit most toilet pans | Weight 2.4kg | Lifetime guarantee against seat breakage

ARRAY FURNITURE								
550mm Isocast Basin		Isocast Worktops (Available in 600mm, 900mm and 1200mm width)		600mm Drawer Unit (with cut-out for plumbing)		600mm Drawer Unit		
AB550W	£199.00	AT600W AT900W AT1200W	£155.00 £185.00 £235.00	Light Java Dark Java	ATD600LJ ATD600DJ	£245.00	ALD600LJ ALD600DJ	£245.00

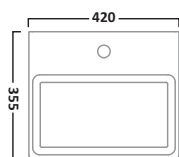
ARRAY FURNITURE							
300mm Open Unit		600mm Open Unit		330mm Storage Unit			
Light Java Dark Java	AOU300LJ AOU300DJ	£155.00	AOU600LJ AOU600DJ	£185.00	AWCLJ AWCDJ	£345.00	

MATCH FURNITURE									
1000mm Isocast Basin (Left)		1000mm Semi-Countertop & Back To Wall Unit (Left)		1000mm Isocast Basin (Right)		1000mm Semi-Countertop & Back To Wall Unit (Right)			
MA1BL	£235.00	Gloss White Oregon Oak	MATLW MATLOR	£375.00	MA1BR	£235.00	Gloss White Oregon Oak	MATRW MATROR	£375.00

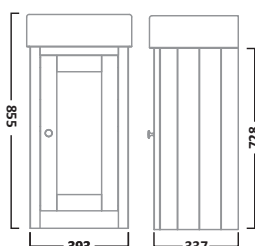
LANSDOWN FURNITURE								
575mm Ceramic Basin		550mm Freestanding Unit		400mm Freestanding Storage Cupboard		Wooden Framed Mirror		
SB900S	£101.00	Linen White Pebble Grey	LAN550B.LW LAN550B.PG	£325.17	LAN400FC.LW LAN400FC.PG	£319.00	LAN600M.LW LAN600M.PG	£89.00

LANSDOWN FURNITURE

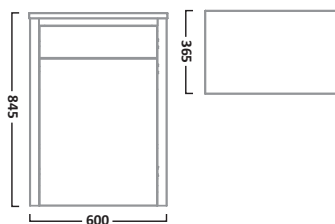
420mm Ceramic Basin



400mm Cloakroom Unit



600mm Back to Wall Unit



LAN420C

£95.00

Linen White
Pebble GreyLAN400C.LW
LAN400C.PG

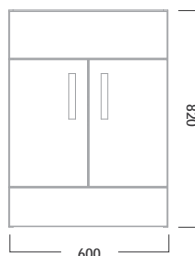
£235.00

LAN600BTW.LW
LAN600BTW.PG

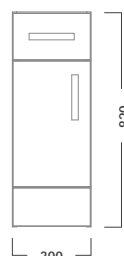
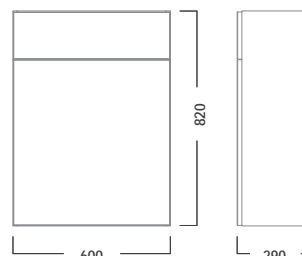
£279.00

COURIER FURNITURE

600mm Semi-Countertop Unit



300mm Floor Cupboard

600mm Back to Wall WC Unit
(See worktop options below)Gloss White
Montana Gloss
Oregon Oak
Havana OakCR6FW
CR6FMG
CR6FOR
CR6FHV

£201.50

CR30FCW
CR30FCMG
CR30FCOR
CR30FCHV

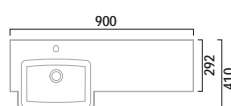
£151.50

CR6BTWW
CR6BTWMG
CR6BTWOR
CR6BTWHV

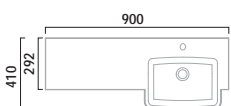
£179.50

COURIER ISOCAST BASINS

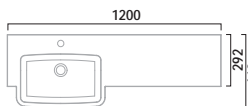
900mm Isocast Basin (Left)



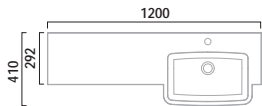
900mm Isocast Basin (Right)



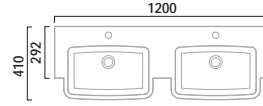
1200mm Isocast Basin (Left)



1200mm Isocast Basin (Right)



1200mm Isocast Basin (Double)



CR900L

£199.00

CR900R

£199.00

CR1200L

£249.00

CR1200R

£249.00

CR1200D

£299.00

COURIER SLIMLINE WORKTOPS

600mm Worktop

White

CR60LWW

£57.10

600mm Worktop

Slate

CR60LWSL

£57.10

1200mm Worktop

White

CR120LWW

£79.90

1200mm Worktop

Slate

CR120LWSL

£79.90

1500mm Worktop

White

CR150LWW

£91.30

1500mm Worktop

Slate

CR150LWSL

£91.30

Infill Panel 300(w) x 820(h)mm

Oregon Oak

CR3FPOR

£32.60

Infill Panel 300(w) x 820(h)mm

Havana Oak

CR3FPHV

£32.60

Infill Panel 300(w) x 820(h)mm

White

CR3FPW

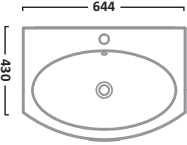

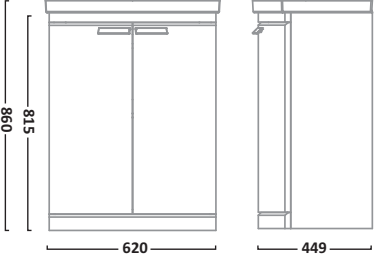
£32.60

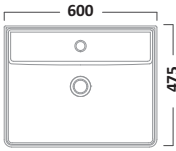
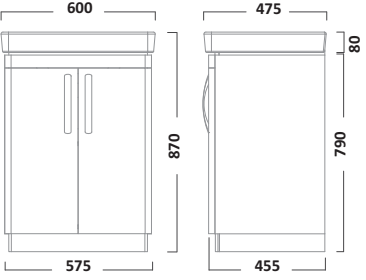
Infill Panel 300(w) x 820(h)mm

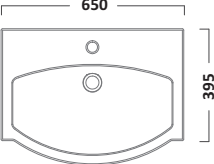
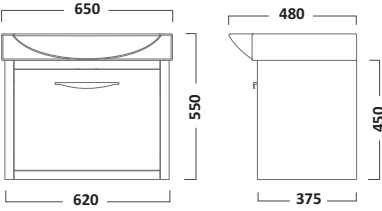
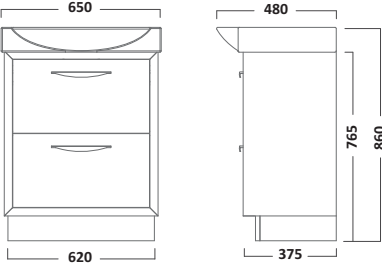
Montana Gloss

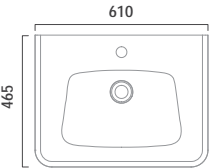
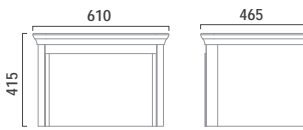
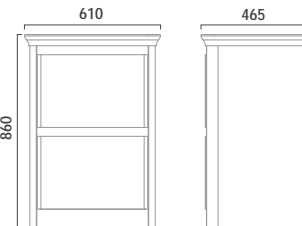
CR3FPMG

£32.60

TEMPO FURNITURE					
650mm Ceramic Basin		650mm Wall Mounted Unit		650mm Freestanding Unit	
					
TE650C	£161.50	Gloss White Light Java Dark Java	TE650WW TE650WLJ TE650WDJ	£338.00 £390.00 £390.00	TE650FW TE650FLJ TE650FDJ
					£338.00 £390.00 £390.00

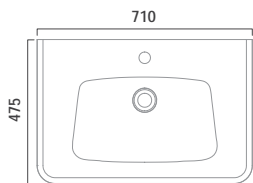
COMPASS FURNITURE			
600mm Ceramic Basin		600mm Freestanding Unit	
			
CM600C	£109.50	Gloss White Grey	CM600FW CM600FG
			£244.50

STUDIO FURNITURE					
650mm Ceramic Basin		620mm Wall Mounted Unit		620mm Freestanding Unit	
					
ST650C	£135.50	Gloss White Light Java Dark Java	ST650WW	£307.00	ST650FW ST650FLJ ST650FDJ
					£484.00 £540.00 £540.00

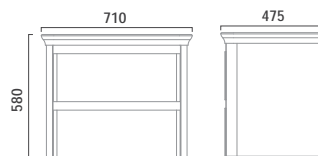
EQUATE FURNITURE					
600mm Ceramic Basin		600mm Wall Mounted Unit		600mm Freestanding Unit	
					
EQ60C	£152.00	Gloss White White/Grey Oak	EQ600W EQ600WA	£255.00	EQ6FW EQ6FWA
					£344.00

EQUATE FURNITURE

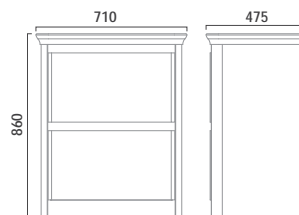
700mm Ceramic Basin



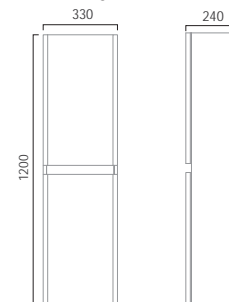
700mm Wall Mounted Unit



700mm Freestanding Unit



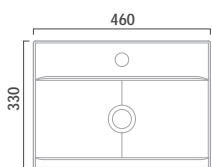
330mm Storage Unit



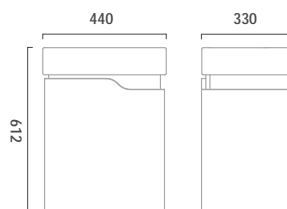
EQ70C	£163.00	Gloss White White/Grey Oak	EQ700W EQ700WA	£326.00	EQ7FW EQ7FWA	£369.00	EQ3CW EQ3CWA	£216.00
-------	---------	-------------------------------	-------------------	---------	-----------------	---------	-----------------	---------

EDGE FURNITURE

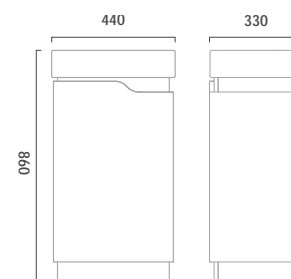
460mm Ceramic Basin



440mm Wall Mounted Unit



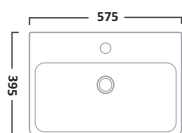
440mm Freestanding Unit



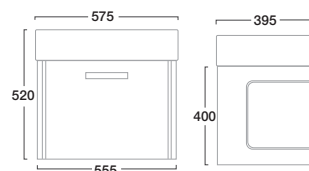
EG45C	£97.60	Gloss White White/Grey Oak	EG450W EG450WA	£227.00	EG45FW EG45FWA	£260.00		
-------	--------	-------------------------------	-------------------	---------	-------------------	---------	--	--

Q60 FURNITURE

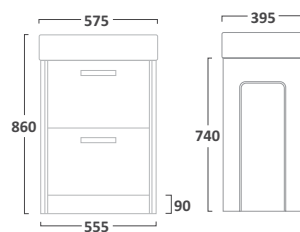
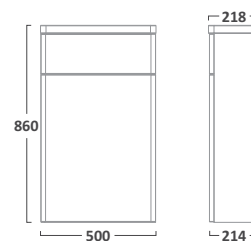
575mm Ceramic Basin



Wall Mounted Unit Single Drawer



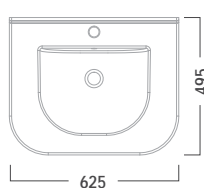
Freestanding Unit Double Drawer

Back to Wall WC Unit
(Including Worktop)

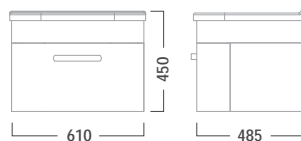
SB900S	£101.00	Gloss White Graphite	Q600W Q600G	£227.00	Q6FW Q6FG	£336.00	Q6BTWW Q6BTWG	£216.00
--------	---------	-------------------------	----------------	---------	--------------	---------	------------------	---------

DESIRE FURNITURE

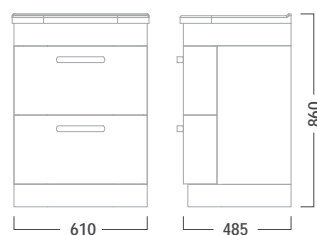
600mm Ceramic Basin



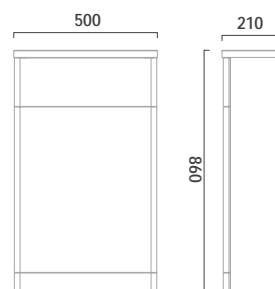
600mm Wall Mounted Unit



600mm Freestanding Unit



500mm Back To Wall Unit



DS60C	£111.00	Gloss White Putty	DS600W DS600PY	£291.00	DS6FW DS6FPY	£448.00	DS5BTWW DS5BTWPY	£216.00
-------	---------	----------------------	-------------------	---------	-----------------	---------	---------------------	---------

FURNITURE TECHNICAL INFORMATION

DESIRE FURNITURE					
800mm Ceramic Basin			650mm Wall Mounted Unit		
DS80C	£139.00	Gloss White Putty	DS800W DS800PY	£308.00	

IMPACT FURNITURE						
600mm Ceramic Basin		600mm Floorstanding Unit		350mm Wall Column Unit		
IM60C	£111.00	Gloss White Java	IM6FW IM6FJV	£303.00 £325.00	IM3CW IM3CJV	£297.00 £325.00

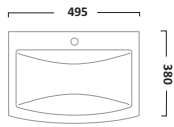
SWIFT FURNITURE						
600mm Ceramic Basin		600mm Wall Mounted Unit		600mm Freestanding Unit		
SW60C	£111.00	Gloss White Montana Gloss	SW600W SW600MG	£201.50	SWF6W SWF6MG	£235.00

KOBE FURNITURE						
450mm Wall Mounted Unit & Ceramic Basin		450mm Freestanding Unit & Ceramic Basin		560mm Freestanding Unit & Basin		
Gloss Black Gloss White Walnut	KWM45BK KWM45W KWM45AW	£313.00 £269.00 £281.00	KFS45BK KFS45W KFS45AW	£324.00 £281.00 £293.00	K56FBK K56FW K56FAW	£420.00 £385.00 £395.00

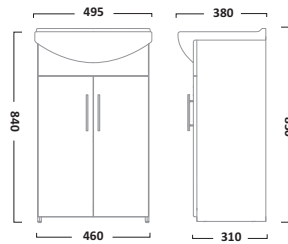
KOBE FURNITURE						
700mm Ceramic Basin		700mm Freestanding Unit		500mm Back To Wall Unit with White Painted Worktop		
K70C	£140.50	Gloss Black Gloss White Walnut	K70FBK K70FW K70FAW	£330.00 £297.00 £308.00	K5BTWBK K5BTWW K5BTWAW	£260.00 £217.50 £232.50

OPAL FURNITURE

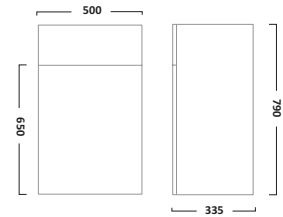
500mm Ceramic Basin



500mm Freestanding Unit



500mm WC Back To Wall Unit & Worktop



OPB50W

£62.00

Gloss White
Walnut

OPVU50W
OPVU50AW

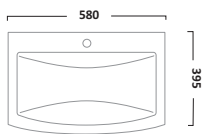
£143.50
£204.50

OPBTW50W
OPBTW5AW

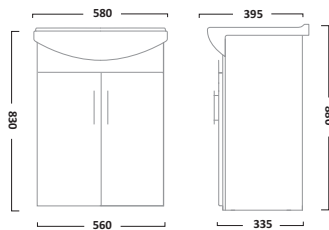
£150.00
£205.50

OPAL FURNITURE

600mm Ceramic Basin



600mm Freestanding Unit



OPB60W

£71.80

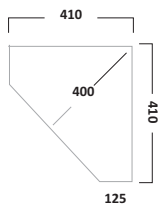
Gloss White
Walnut

OPVU60W
OPVU60AW

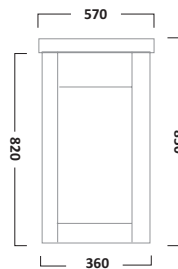
£150.00
£219.00

ASPEN FURNITURE

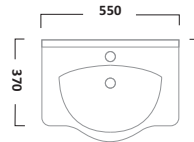
Corner Ceramic Basin



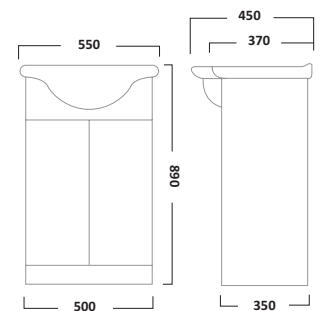
570mm Corner Unit



550mm Ceramic Basin



500mm Freestanding Unit



A60CNRC

£127.50

White

A60CNRB

£222.50

L50C

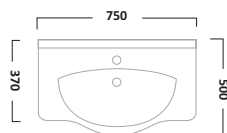
£158.50

A50B

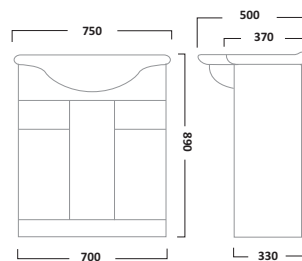
£237.50

ASPEN FURNITURE

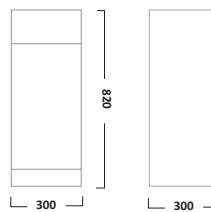
750mm Ceramic Basin



700mm Base Unit



300mm Floor Cupboard



L70C

£207.00

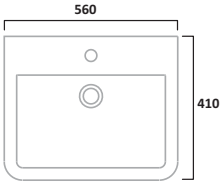
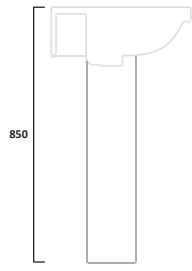
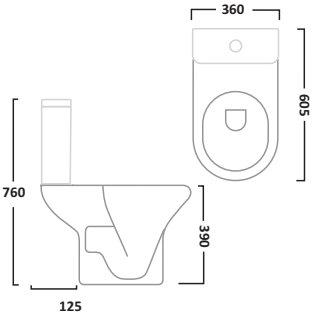
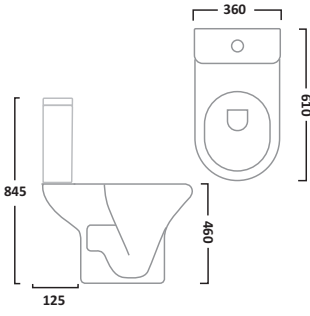
White

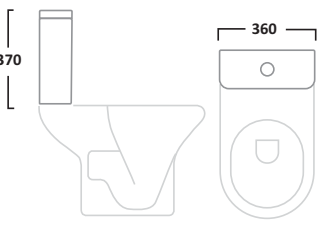
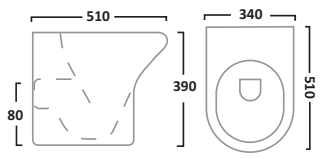
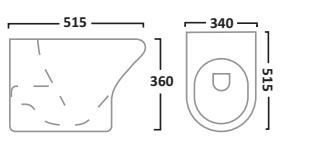
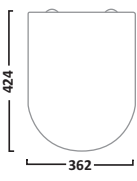
A70B

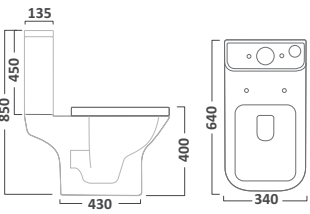
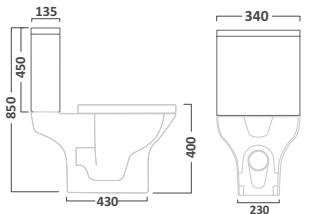
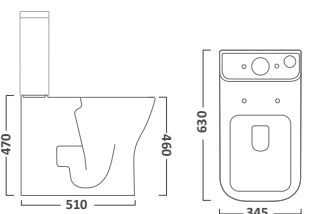
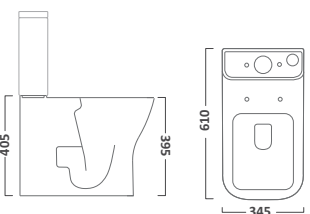
£333.00

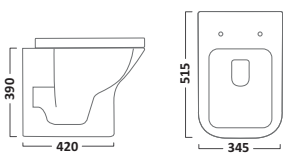
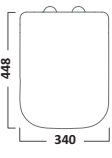
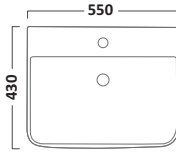
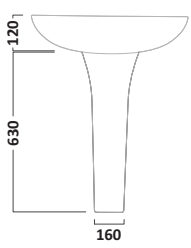
A30FC

£197.00

ION SANITARYWARE							
560mm Ceramic Basin		Pedestal	Close Coupled WC Pan		Comfort Height WC Pan		
							
NV560SB	£106.50	NV5QPED	£43.00	P100S	£139.00	PC100S	£197.00

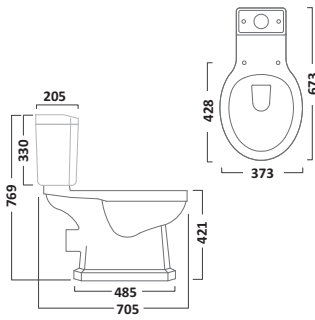
ION SANITARYWARE							
6/4L Cistern inc. Flush Fittings		Back to Wall Pan	Wall Hung Pan		Soft Close Quick Release Toilet Seat		
							
C900S	£71.80	BTW100S	£141.50	WH100S	£173.50	TS150S	£60.80

STRUCTURE SANITARYWARE							
Close Coupled Pan Inc Floor Fittings		4.5/3L Cistern Inc Flush Fittings		Comfort Height Pan inc Floor Fittings		Flush Fitting Pan Inc Floor Fittings	
							
P450S	£211.00	C450S	£100.00	PC450S	£249.00	PF450S	£220.00

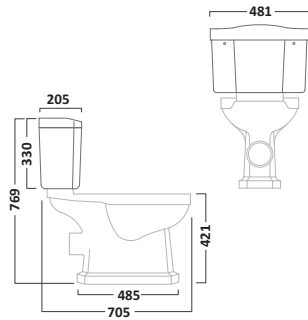
STRUCTURE SANITARYWARE							
Back To Wall Pan		Soft Close Toilet Seat		550mm Ceramic Basin		Pedestal	
							
BTW450S	£188.50	TS450S	£55.70	SB450S	£115.50	PE450S	£52.70

VITORIA SANITARYWARE

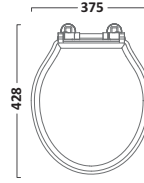
Close Coupled Pan inc. Floor Fittings



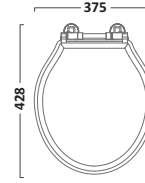
Close Coupled Cistern



Vitoria Soft Close Bar Hinge Toilet Seat
Gloss White



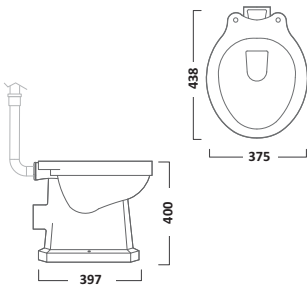
Vitoria Soft Close Bar Hinge Toilet Seat
Solid Oak



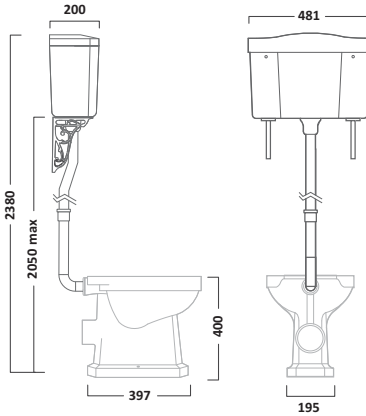
P850S	£150.50	C850S	£124.00	TS850WSC	£91.70	TS850NOSC	£102.00
-------	---------	-------	---------	----------	--------	-----------	---------

VITORIA SANITARYWARE

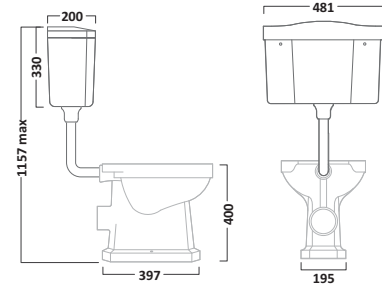
High / Low Level Cistern Compatible WC Pan



High Level Ceramic Cistern including Fittings with
Chrome Down Pipe, Ornate Bracket & Flxing Kit



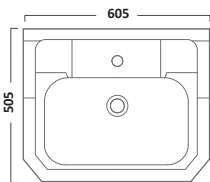
Low Level Cistern including Fittings & Down Pipe



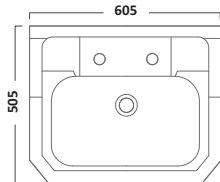
PL850S	£129.00	Cistern - CH850S Down pipe kit - HLK850S	£124.00 £278.00	Cistern - CL850S Down pipe kit - LLK850S	£124.00 £56.70
--------	---------	---	--------------------	---	-------------------

VITORIA SANITARYWARE

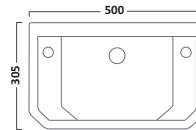
605mm Ceramic Basin - 1 Tap Hole



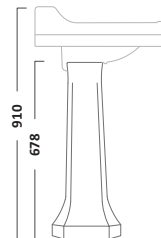
605mm Ceramic Basin - 2 Tap Holes



500mm Ceramic Cloakroom Basin



Ceramic Pedestal



SB850S	£126.00	DB850S	£126.00	DB850CLS	£99.00	PE850S	£61.30
--------	---------	--------	---------	----------	--------	--------	--------

VIBE SANITARYWARE							
Open Back Close Coupled Pan & Soft Close Seat		Flush Fitting Close Coupled WC Pan & Soft Close Seat		Close Coupled WC Pan		Back To Wall Pan With Soft Close Seat	
P700S	£261.00	PF700S	£290.00	C700S	£115.00	BTW700S	£261.00

VIBE SANITARYWARE							
Wall Hung Pan with Soft Close Seat		460mm Ceramic Basin 1 Tap Hole		550mm Ceramic Basin 1 Tap Hole		Full Pedestal (suitable for 460 & 550mm basins)	
WH700S	£261.00	SB745S	£68.30	SB700S	£86.80	PE700S	£64.80

VIBE SANITARYWARE			
Semi Pedestal (Suitable for use with 460 & 550mm basins)		550mm Semi-Counter Top Basin 1 Tap Hole	
SMP700S	£64.80	SCSB700S	£138.00

Q60 SANITARYWARE

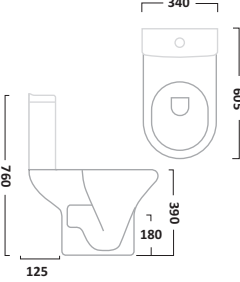
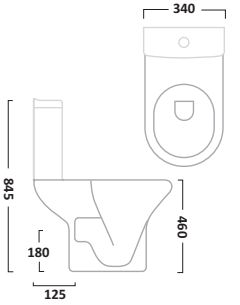
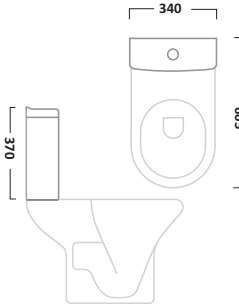
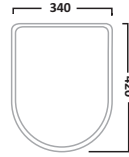
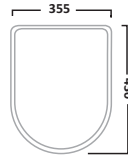
Close Coupled Pan Inc Floor Fittings		6/4L Cistern Inc Flush Fittings		Back To Wall WC Pan		Soft Close Top Fix Thermost Toilet Seat	
P900S	£138.00	C900S	£71.80	BTW900S	£143.50	TS900S	£61.90

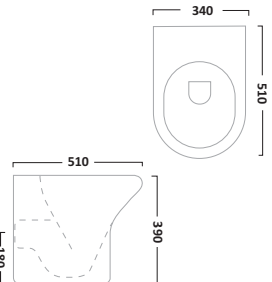
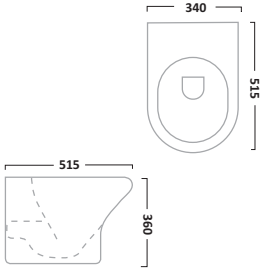
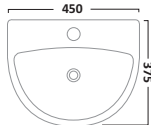
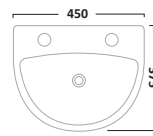
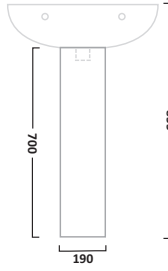
Q60 SANITARYWARE

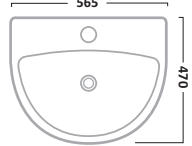
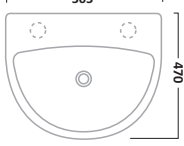
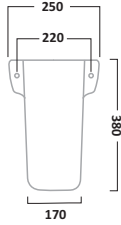
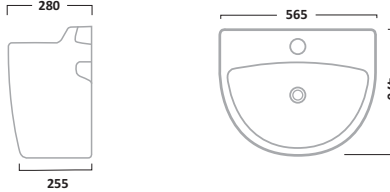
575mm Ceramic Basin - 1 Tap Hole		Pedestal	
SB900S	£101.00	PE900S	£49.40

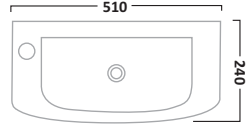
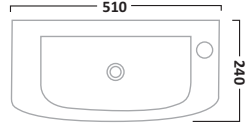
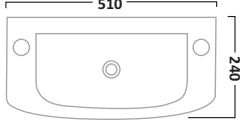
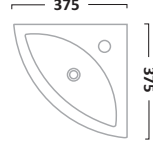
TETRA SANITARYWARE

Back To Wall Pan		Wall Hung Pan		Tetra Soft Close Seat	
BTW500S	£261.00	WH500S	£288.00	TS500S	£64.50

MICRA SANITARYWARE									
Short Projection WC Pan	Comfort Height Pan	6/4L Cistern Inc Flush Fittings	Standard Toilet Seat	Soft Close Thermost Toilet Seat					
									
P100S	£139.00	PC100S	£197.00	C100S	£94.20	TS100S	£41.30	TS100WSC	£66.10

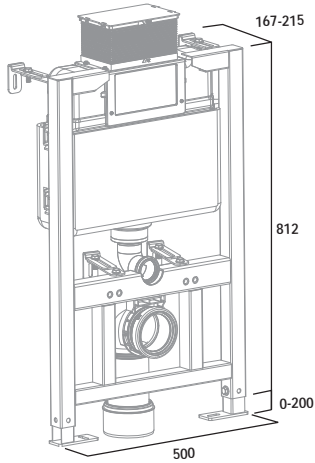
MICRA SANITARYWARE									
Short Projection Back To Wall WC Pan	Wall Hung Pan	450mm Ceramic Basin 1 Tap Hole	450mm Ceramic Basin 2 Tap Hole	Full Pedestal (Suitable for 450 & 565mm basins)					
									
BTW100S	£141.50	WH100S	£173.50	SB145S	£69.40	DB145S	£69.40	PE100S	£35.70

MICRA SANITARYWARE									
565mm Ceramic Basin - 1 Tap Hole	565mm Ceramic Basin - 2 Tap Hole	Semi Pedestal (Suitable for 565mm Basins)	565mm Semi-Countertop Basin 1 Tap Hole						
									
SB100S	£86.70	DB100S	£86.70	SMP100S	£62.60	SCSB100S	£139.00		

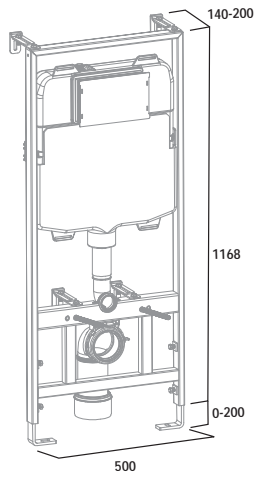
MICRA SANITARYWARE									
510mm Slimline Basin - 1 Tap Hole Left Hand Side	510mm Slimline Basin - 1 Tap Hole Right Hand Side	510mm Slimline Basin - 2 Tap Holes	375mm Ceramic Corner Basin - 1 Tap Hole						
									
SSLB100S	£69.40	SSRB100S	£69.40	SDB100S	£69.40	CB100S	£79.30		

WALL HUNG FRAMES

0.82M Wall Hung WC Frame



1.17M Wall Hung WC Frame



WHF082
WHFFK

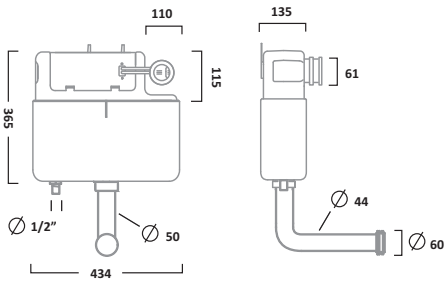
£195.00
£33.50

WHF117

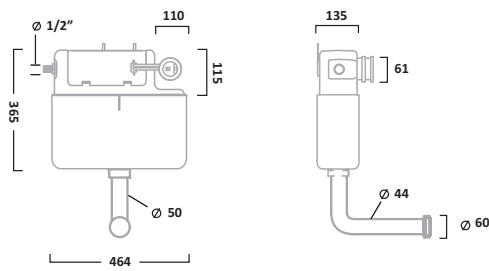
£195.00

CISTERNS

Vortex Dual Flush Slimline Concealed Cistern
Bottom Inlet



Apex Dual Flush Slimline Concealed Cistern
Side Inlet



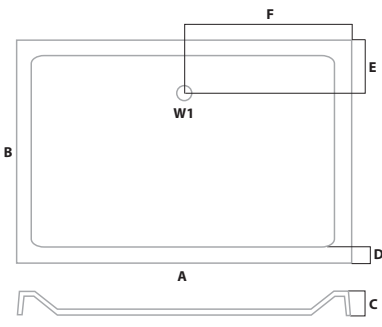
VOR790

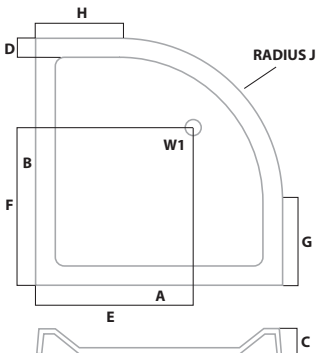
£78.80

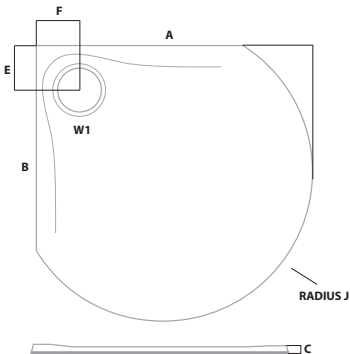
APX790

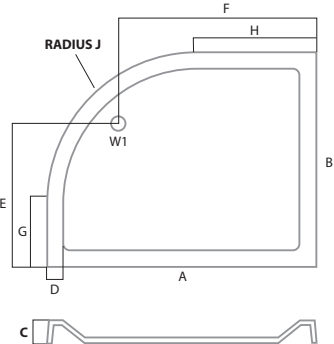
£78.80

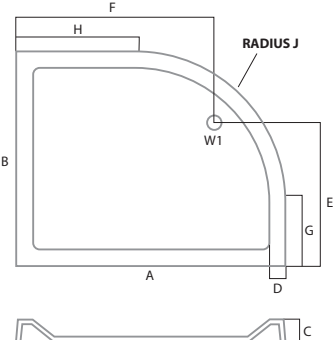
— SHOWER TRAY TECHNICAL INFORMATION —

SQUARE RECTANGULAR LOW PROFILE TRAY	DIMENSIONS	CODE	WASTE POSITION	WASTE SIZE	A	B	C	D	E	F	G	H	J	RRP INC VAT
	760 x 760	TRAY001	W1	90	760	760	45	65	190	280	-	-	-	£170.50
	800 x 800	TRAY002	W1	90	800	800	45	65	190	400	-	-	-	£196.50
	900 x 900	TRAY003	W1	90	900	900	45	65	190	450	-	-	-	£227.00
	1000 x 1000	TRAY004	W1	90	1000	1000	45	65	190	500	-	-	-	£284.00
	900 x 760	TRAY005	W1	90	900	760	45	65	190	450	-	-	-	£232.50
	900 x 800	TRAY006	W1	90	900	800	45	65	190	450	-	-	-	£238.00
	1000 x 800	TRAY007	W1	90	1000	800	45	65	190	500	-	-	-	£249.50
	1200 x 760	TRAY008	W1	90	1200	760	45	65	190	600	-	-	-	£255.00
	1200 x 800	TRAY009	W1	90	1200	800	45	65	190	600	-	-	-	£267.00
	1200 x 900	TRAY010	W1	90	1200	900	45	65	190	600	-	-	-	£278.00
	1400 x 900	TRAY011	W1	90	1400	900	45	65	190	700	-	-	-	£369.00
	1600 x 800	TRAY012	W1	90	1600	800	45	65	190	800	-	-	-	£408.00
	1700 x 750	TRAY013	W1	90	1700	750	45	65	190	850	-	-	-	£454.00

LOW PROFILE 550 RADIUS TRAY	DIMENSIONS	CODE	WASTE POSITION	WASTE SIZE	A	B	C	D	E	F	G	H	J	RRP INC VAT
	800 x 800	TRAY014	W1	90	800	800	45	65	500	500	250	250	550	£204.00
	900 x 900	TRAY015	W1	90	900	900	45	65	600	600	350	350	550	£238.00
	1000 x 1000	TRAY016	W1	90	1000	1000	45	65	700	700	450	450	550	£295.00

BOW FRONT QUADRANT TRAY	DIMENSIONS	CODE	WASTE POSITION	WASTE SIZE	A	B	C	D	E	F	G	H	J	RRP INC VAT
	1000	TRAY017	W1	90	1000	785	25	-	165	165	-	-	550	£454.00

LOW PROFILE RIGHT 550 RADIUS TRAY	DIMENSIONS	CODE	WASTE POSITION	WASTE SIZE	A	B	C	D	E	F	G	H	J	RRP INC VAT
	1000 x 800	TRAY018	W1	90	1000	800	45	65	510	700	250	450	550	£272.00
	1200 x 800	TRAY020	W1	90	1200	800	45	65	510	900	250	650	550	£295.00
	1200 x 900	TRAY022	W1	90	1200	900	45	65	610	910	350	650	550	£306.00

LOW PROFILE LEFT 550 RADIUS TRAY	DIMENSIONS	CODE	WASTE POSITION	WASTE SIZE	A	B	C	D	E	F	G	H	J	RRP INC VAT
	1000 x 800	TRAY019	W1	90	1000	800	45	65	510	700	250	450	550	£272.00
	1200 x 800	TRAY021	W1	90	1200	800	45	65	510	900	250	650	550	£295.00
	1200 x 900	TRAY023	W1	90	1200	900	45	65	610	910	350	650	550	£306.00

ENCLOSURE & TRAY FITTING ACCESSORIES	CODE	DIMENSIONS	RRP INC VAT
Enclosure Extension Profile Kit	SE1EXT1	1950 x 20	£41.90
Shower Tray Extension Kit	TRAYFK03	-	£53.80
Quadrant Tray Fitting Kit	TRAYFK02	-	£97.20
Square & Rectangle Tray Fitting Kit	TRAYFK01	-	£97.20
2.8 Metre Upstand Strip	TRAYSS03	2800	£23.20

EXTENSION KIT



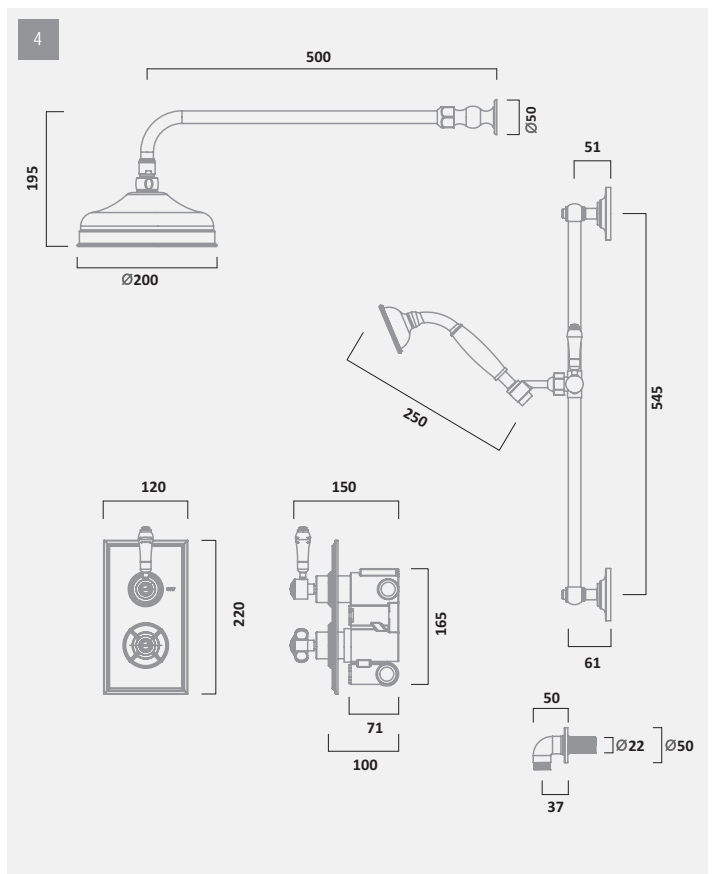
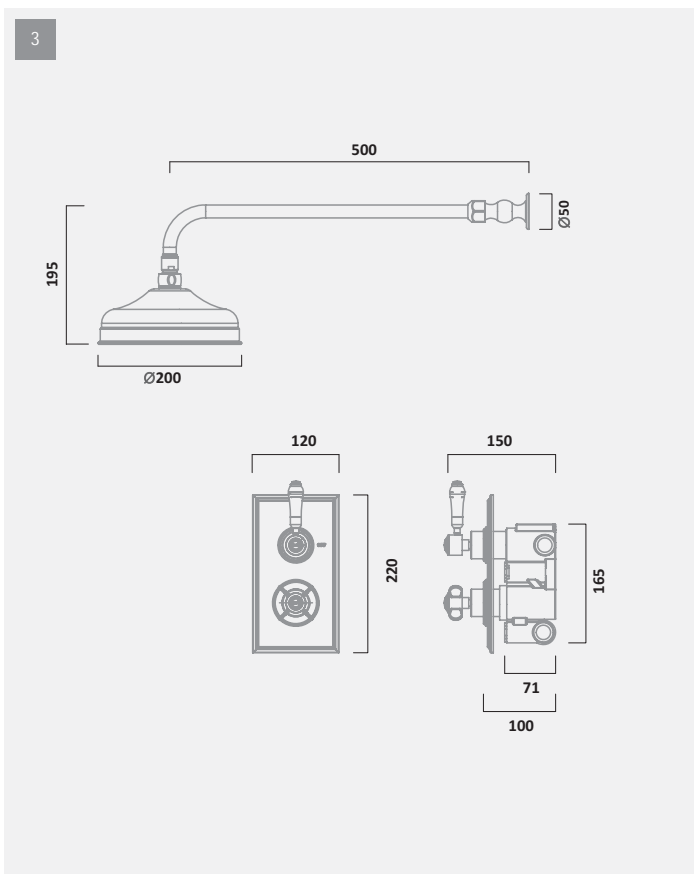
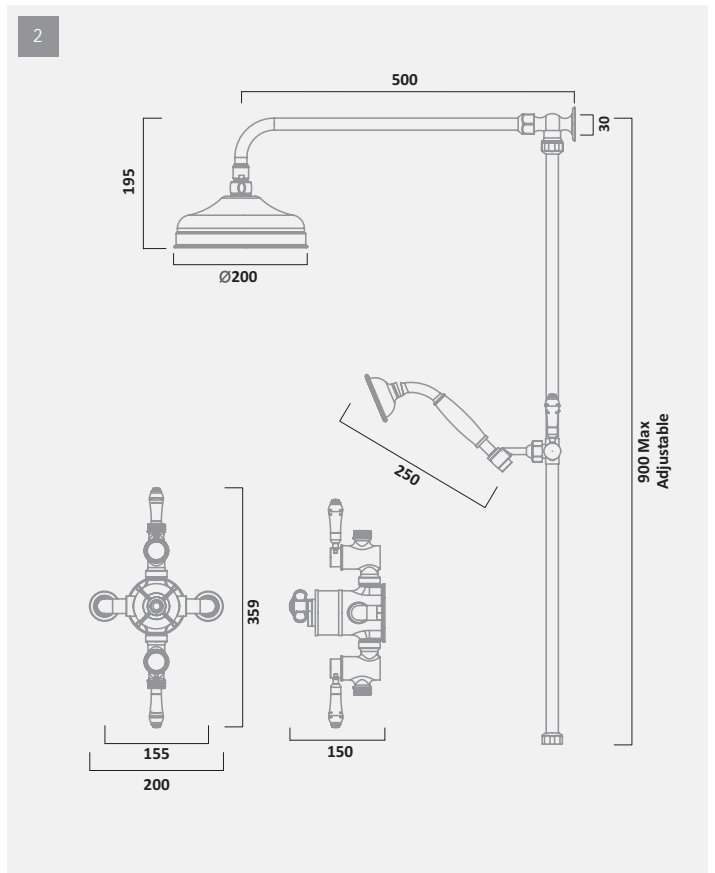
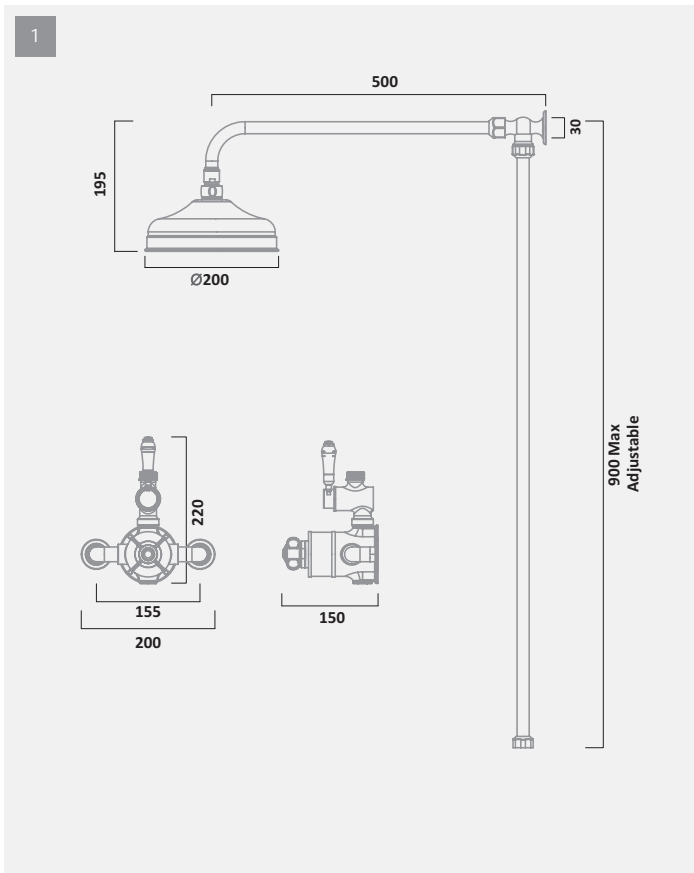
QUADRANT FITTING KIT



SQUARE & RECTANGLE FITTING KIT

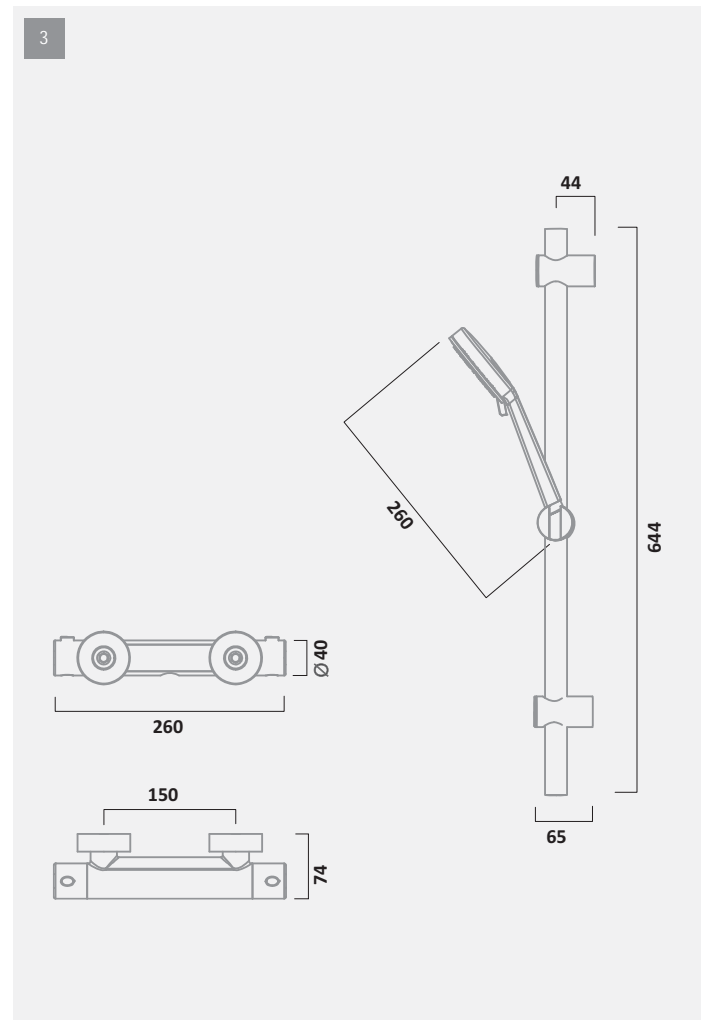
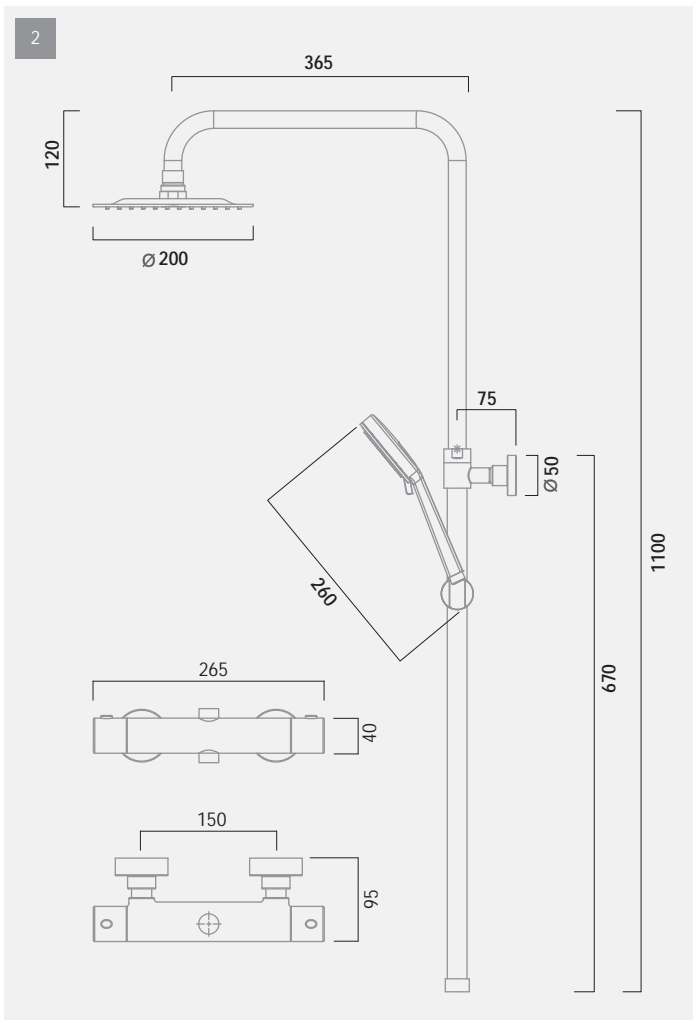
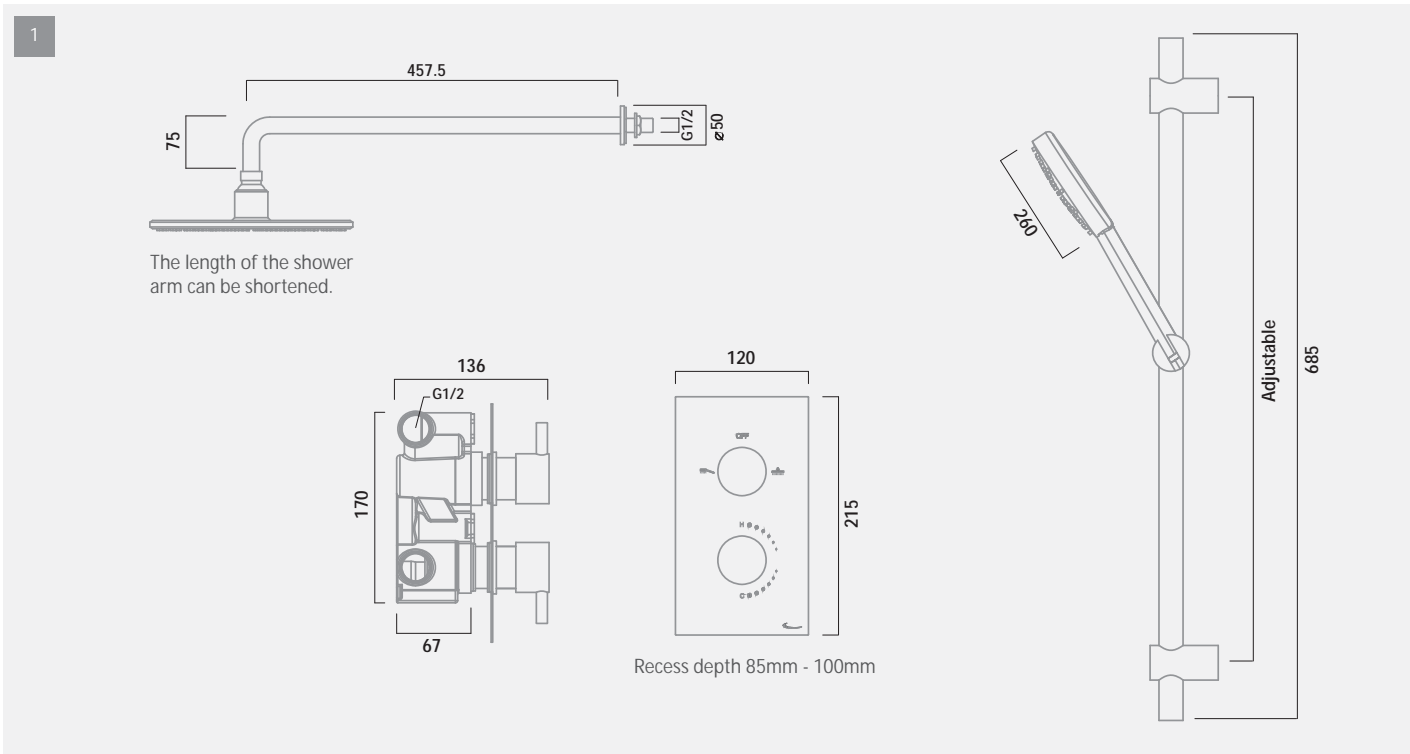


An optional 20mm shower **enclosure extension profile kit** is available should your installation require it
 Our tray **fitting kits** provide all the necessary parts to quickly and easily convert a low profile tray to a raised installation where required
 Where a tray over 1200mm in width is used with a fitting kit an **extension kit** will also be required
Seal strips are available to convert flat top trays to a tiling upstand option creating a watertight seal between tray and wall



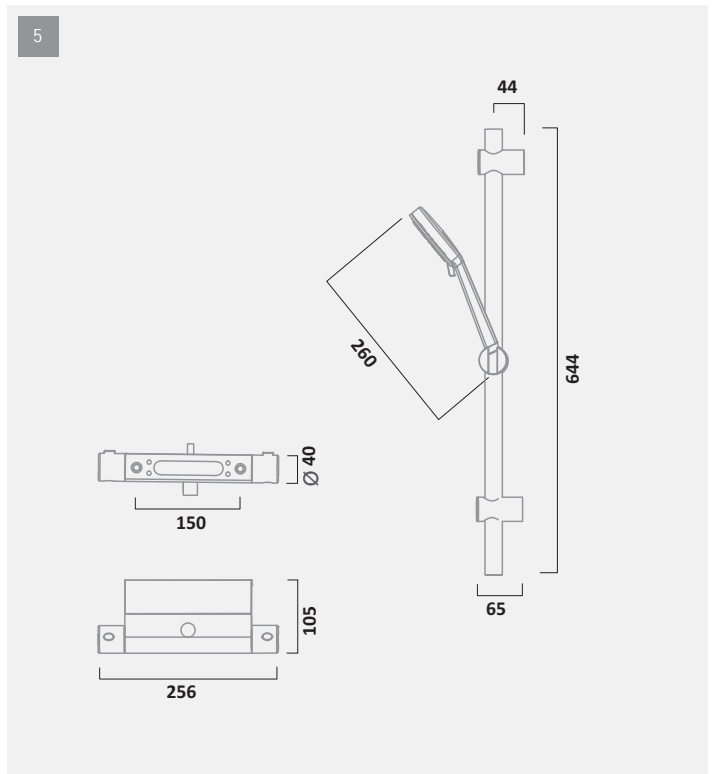
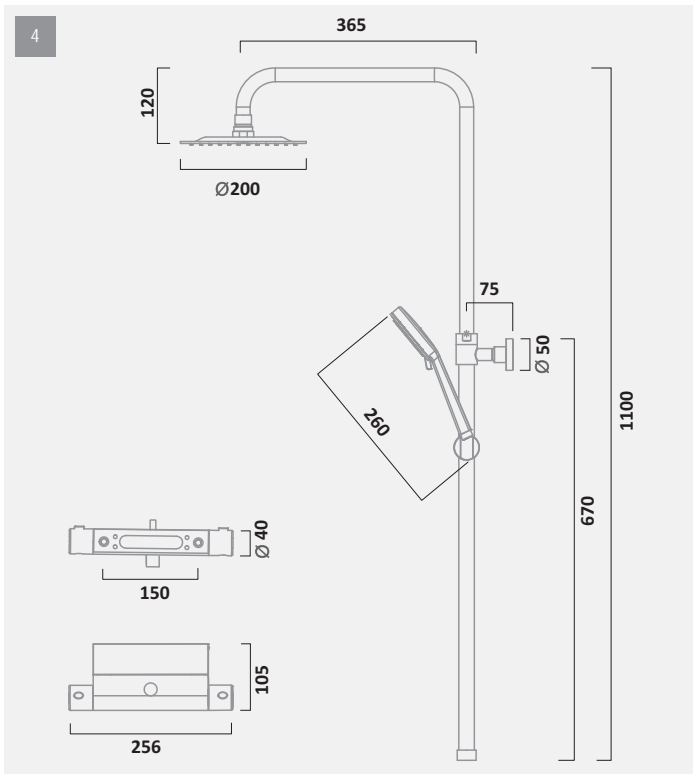
VARSITY SHOWER SYSTEMS			FINISH	CODE	RRP INC VAT £
1	Thermostatic Exposed Single Function Shower Valve with Shower Head		Chrome	SVA1813	£535.00
2	Thermostatic Exposed Dual Function Shower Valve with Shower Head & Handset		Chrome	SVA1712	£660.00
3	Thermostatic Concealed Single Function Shower Valve with Shower Head		Chrome	SVA0214	£415.00
4	Thermostatic Concealed Dual Function Diverter Shower Valve with Shower Head & Single Function Handset		Chrome	SVA1615	£615.00

— QUANTUM SHOWERS TECHNICAL INFORMATION —



QUANTUM SHOWER SYSTEMS		FINISH	CODE	RRP INC VAT £
1	Thermostatic Concealed Dual Function Diverter Valve with 200mm Round Shower Head & Multi Function Shower Handset	Chrome	SQT1611	£422.00
2	Thermostatic Diverter Bar Valve with 200mm Round Stainless Steel Shower Head and Multi Function Shower Handset	Chrome	SQT1509	£308.00
3	Thermostatic Bar Valve with Multi Function Shower Handset	Chrome	SQT0616	£169.00

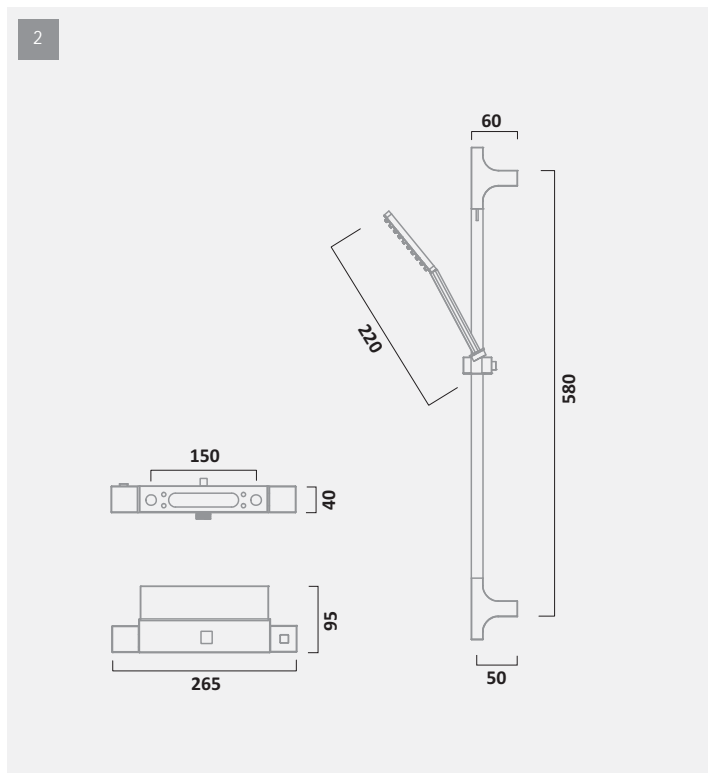
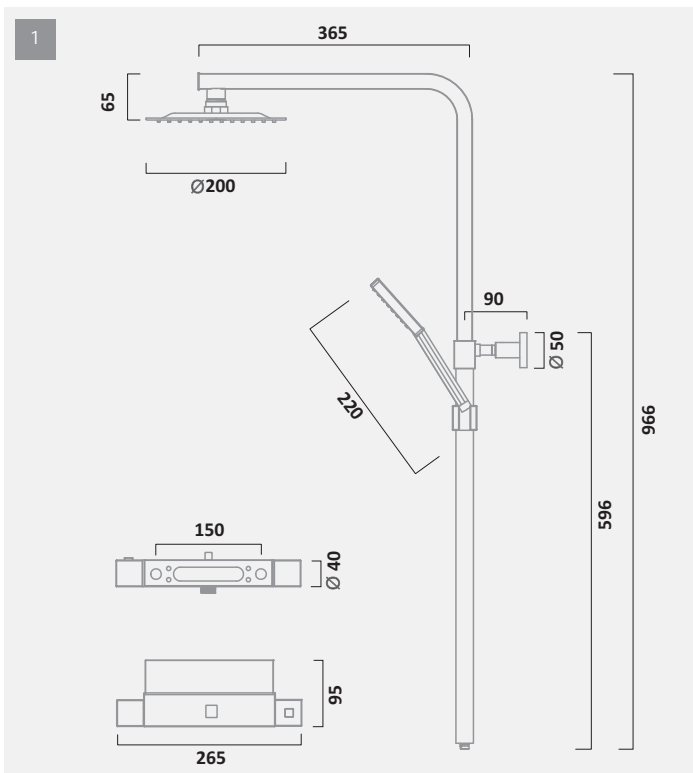
— QUANTUM SHOWERS TECHNICAL INFORMATION —



QUANTUM SHOWER SYSTEMS

		FINISH	CODE	RRP INC VAT £
4	Thermostatic Diverter Bar Valve and Accessory Shelf with Round Shower Head and Multi Function Shower Handset	Chrome	SQT2009	£349.00
5	Thermostatic Diverter Bar Valve and Accessory Shelf with Multi Function Shower Handset	Chrome	SQT1916	£229.00

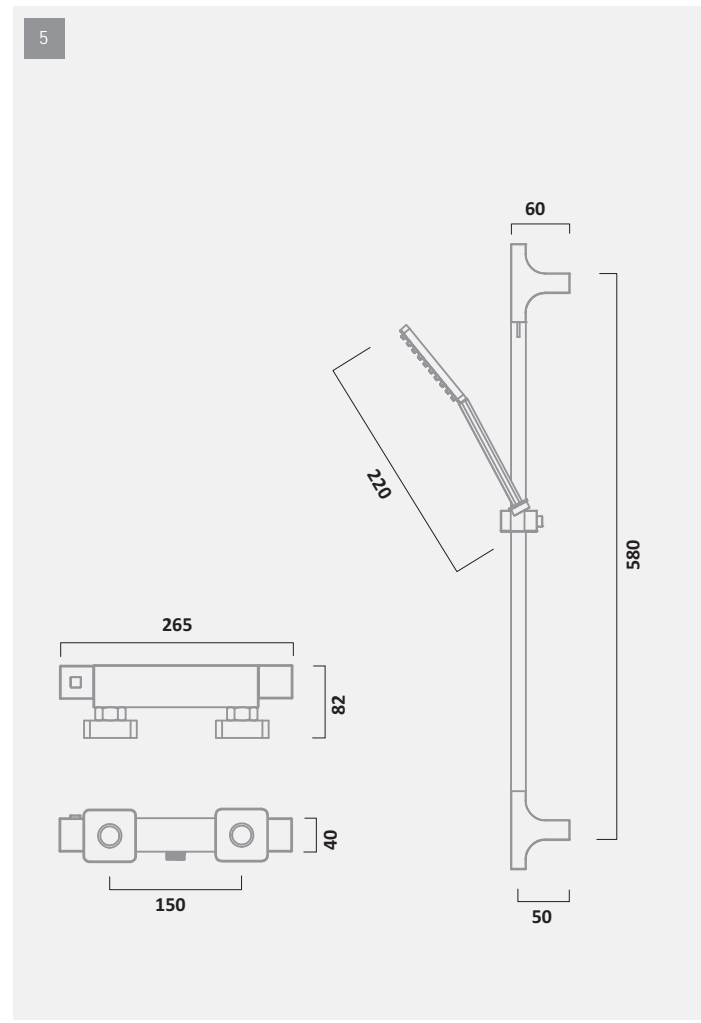
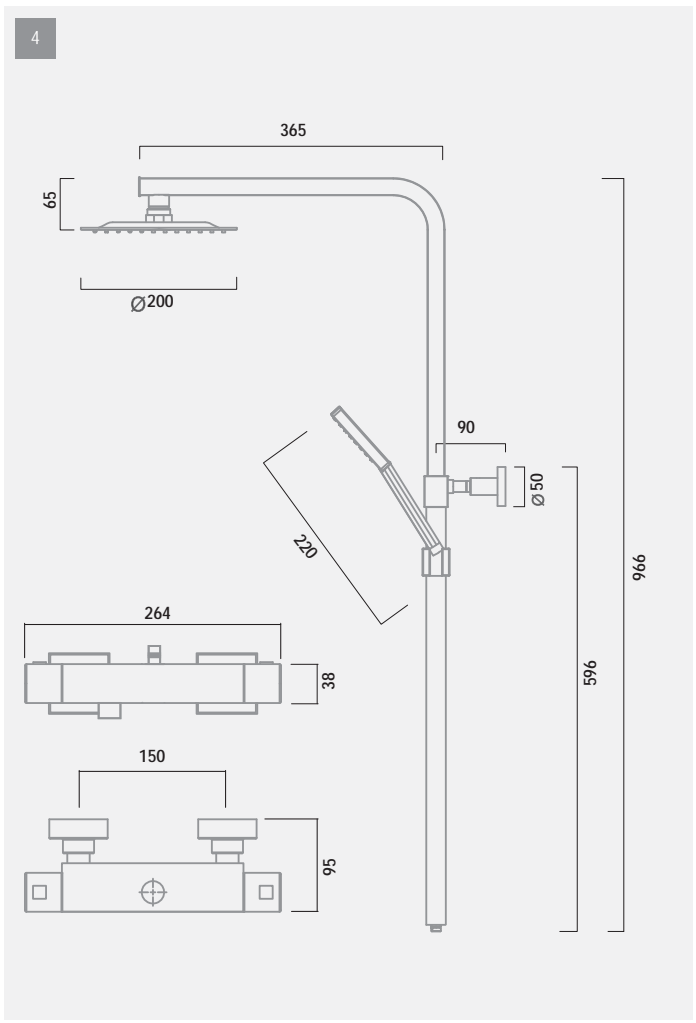
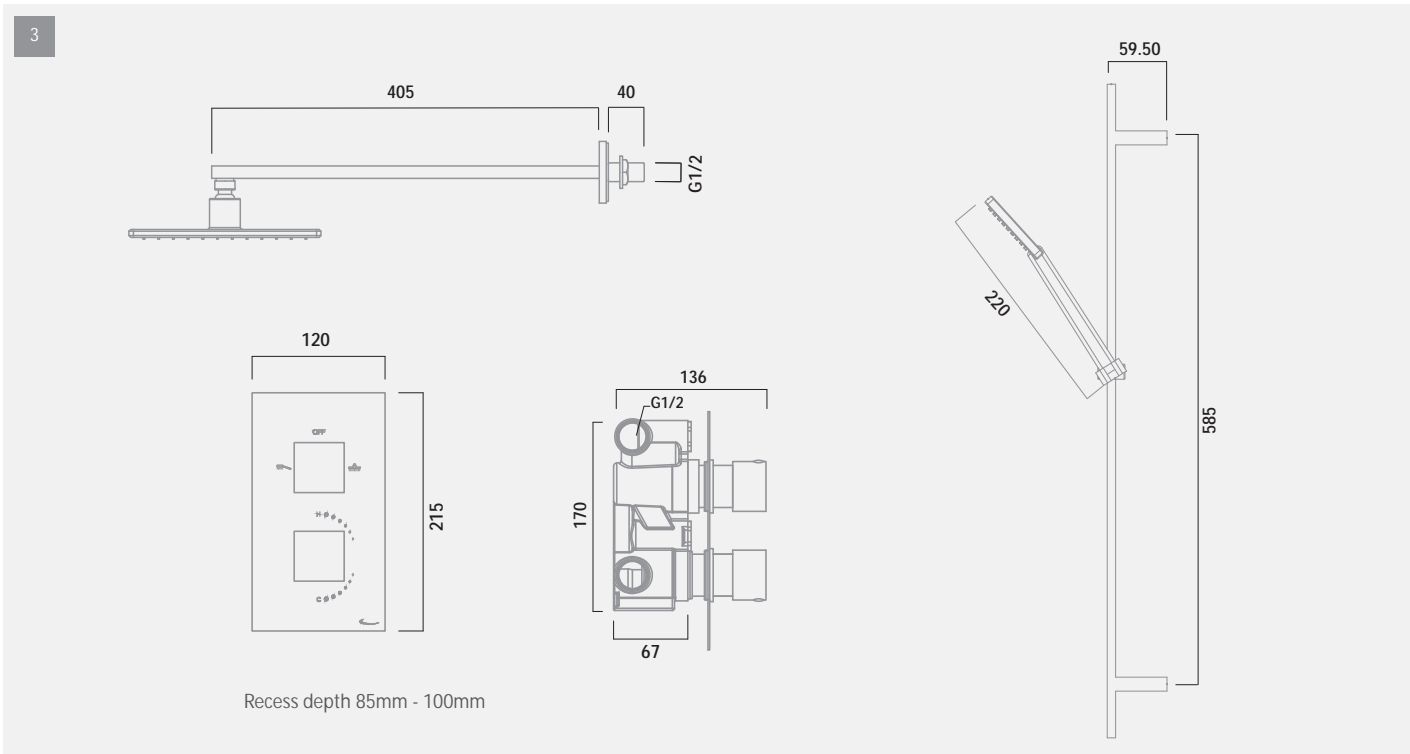
— INDEX SHOWERS TECHNICAL INFORMATION —



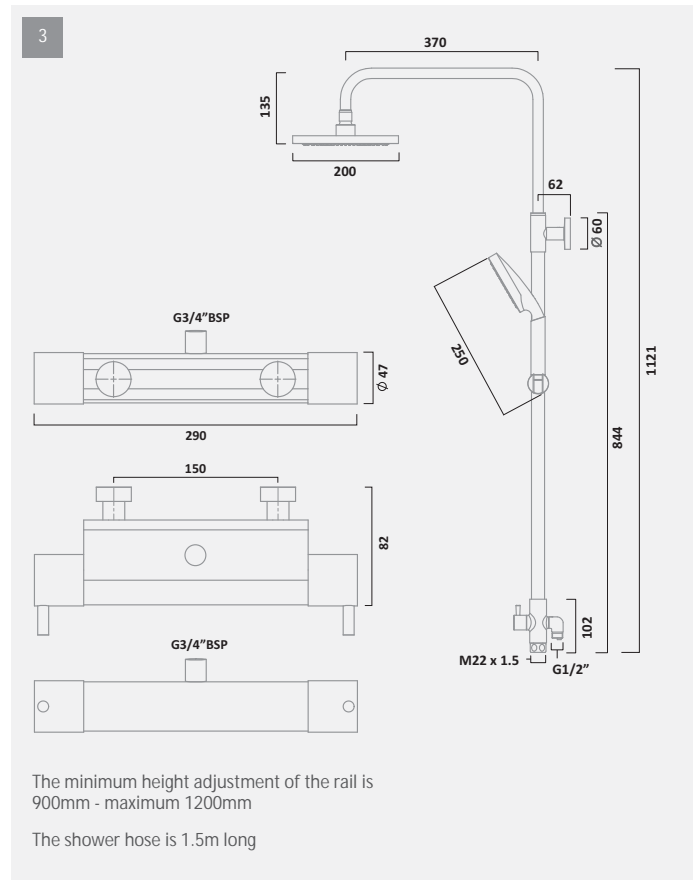
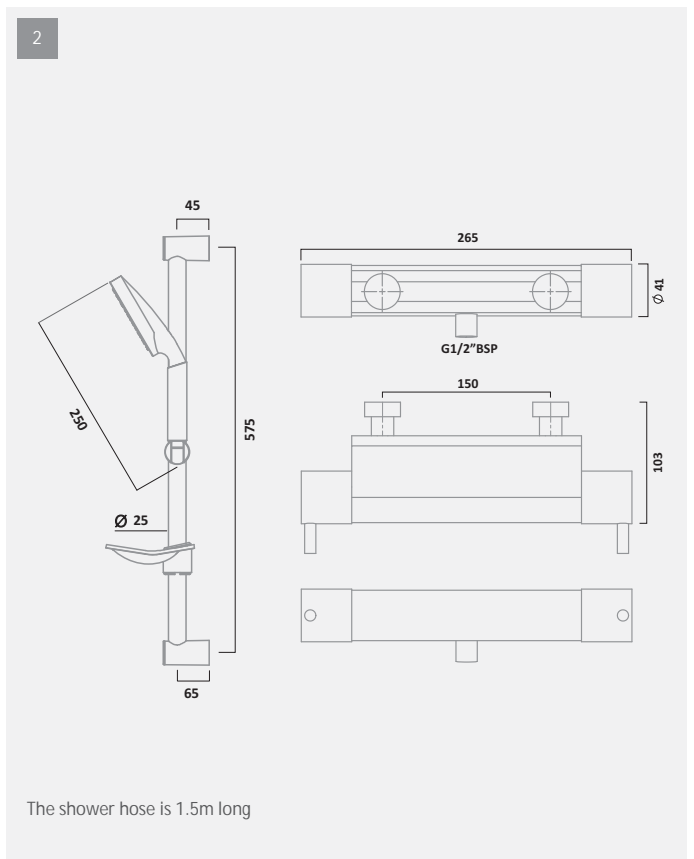
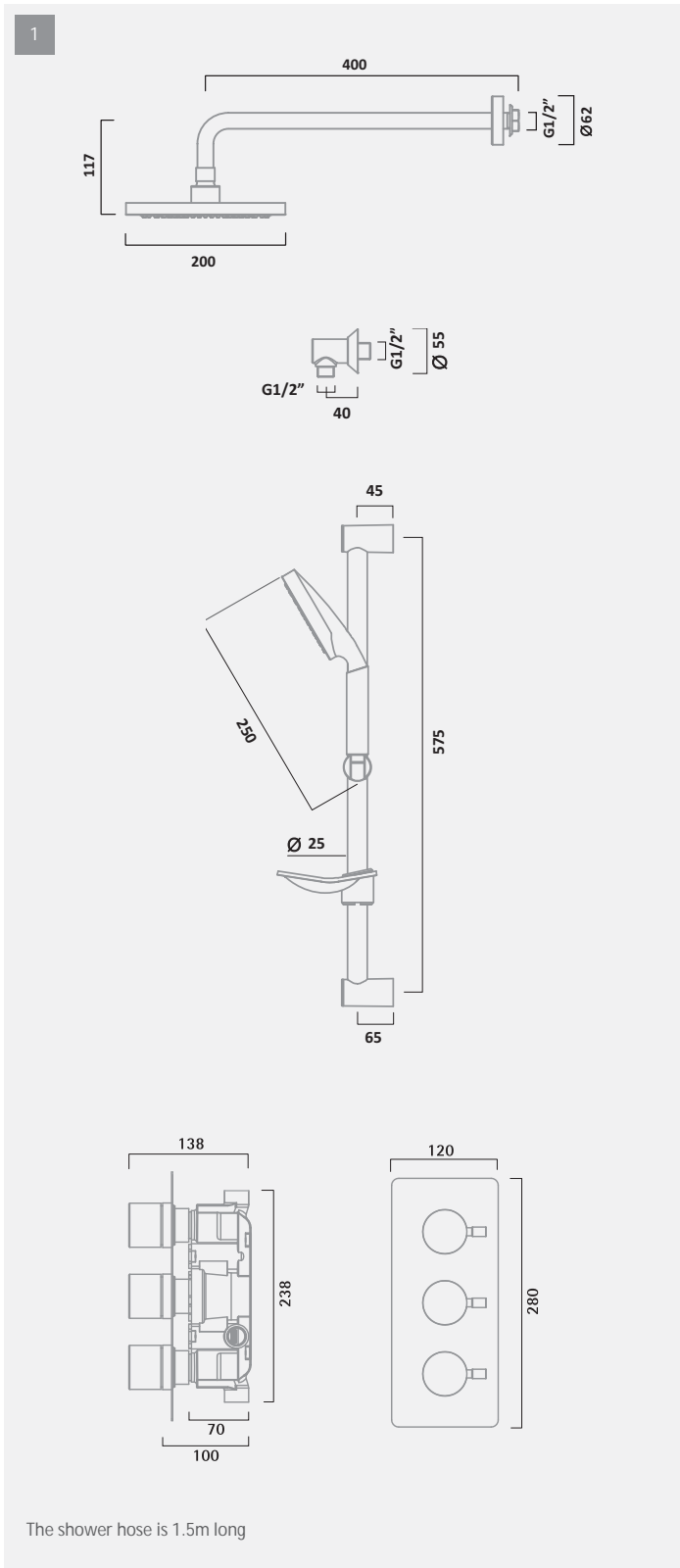
INDEX SHOWER SYSTEMS

		FINISH	CODE	RRP INC VAT £
1	Thermostatic Diverter Bar Valve and Accessory Shelf with Shower Head and Single Function Shower Handset	Chrome	SND2008	£419.00
2	Thermostatic Diverter Bar Valve and Accessory Shelf with Single Function Shower Handset	Chrome	SND1917	£229.00

INDEX SHOWERS TECHNICAL INFORMATION

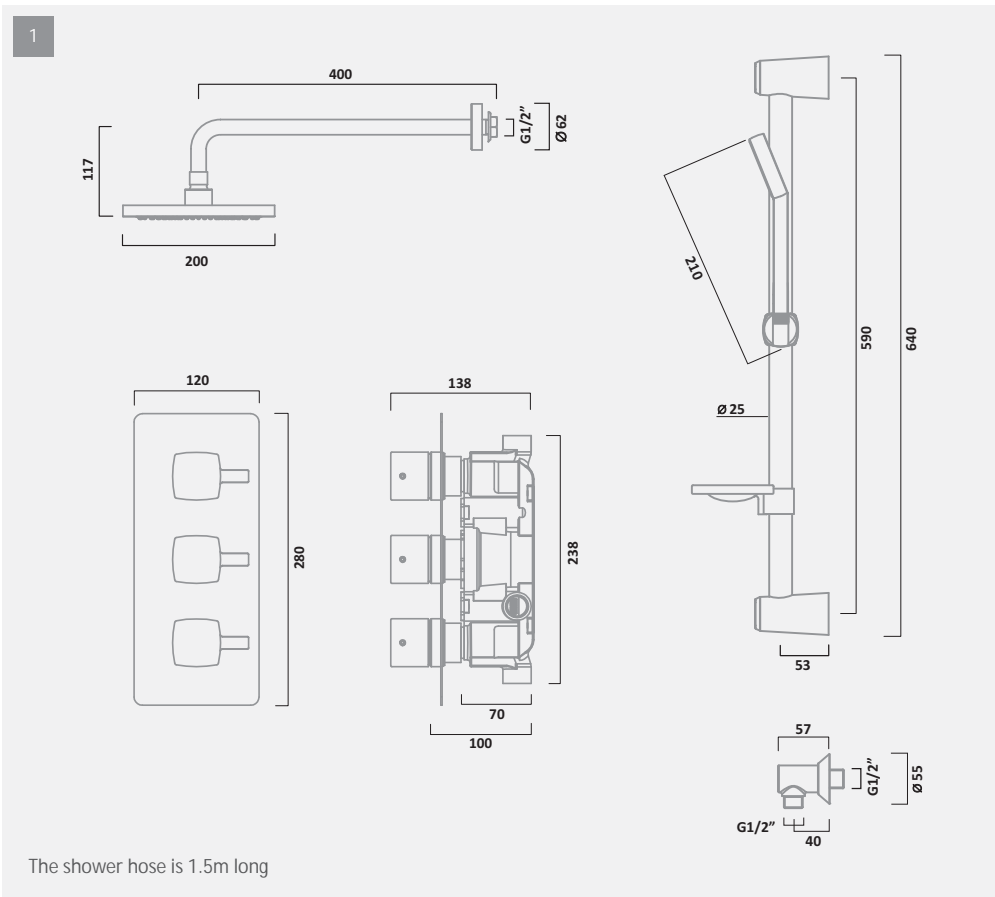


INDEX SHOWER SYSTEMS		FINISH	CODE	RRP INC VAT £
3	Thermostatic Concealed Dual Function Diverter Valve with 220 x 220mm Square Shower Head & Single Function Shower Handset	Chrome	SND1610	£453.00
4	Thermostatic Diverter Bar Valve with 200 x 200mm Square Stainless Steel Shower Head and Single Function Shower Handset	Chrome	SND1508	£391.00
5	Thermostatic Bar Valve with Single Function Shower Handset	Chrome	SND0617	£189.00



KINETIC CONCEALED VALVE SHOWER SYSTEMS

		FINISH	CODE	RRP INC VAT £
1	Thermostatic Concealed Dual Function Shower Valve with Round Shower Head and Multi Function Handset	Chrome	SKN0303	£575.00
2	Thermostatic Bar Valve with Multi Function Shower Handset	Chrome	SKN0601	£349.00
3	Thermostatic Bar Valve with Round Shower Head and Multi Function Shower Handset	Chrome	SKN0706	£535.00


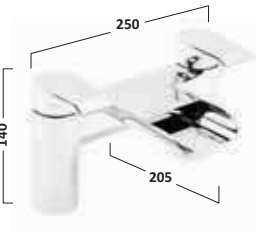


LOGIC CONCEALED VALVE SHOWER SYSTEMS		FINISH	CODE	RRP INC VAT £
1	Thermostatic Concealed Dual Function Shower Valve with Square Shower Handset and Single Function Handset	Chrome	SLG0304	£575.00


REVIVE TAPS

Basin Mixer with Click Waste	Bath Filler
	
TRV11 £80.00	TRV32 £100.00



SOLACE TAPS

Basin Mixer with Click Waste	Bath Filler
	
TSA11 £115.00	TSA32 £175.00




VOICE TAPS

Basin Mixer with Click Waste	Bath Filler
	
TVC11 £103.00	TVC32 £150.00


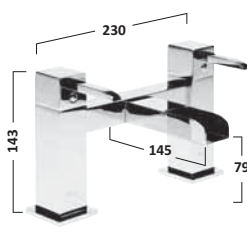
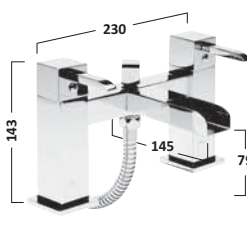
MELODY TAPS

Basin Mixer with Click Waste	Bath Filler
	
TMD11 £82.40	TMD32 £150.00

STRIKE TAPS

Mini Basin Mixer with Click Waste	Basin Mixer with Click Waste	Bath Filler
		
TSE61 £82.40	TSE11 £92.70	TSE32 £150.00

Q60 TAPS

Basin Mixer with Click Waste	Bath Filler	Bath Shower Mixer
		
TQ11 £122.50	TQ32 £143.50	TQ42 £172.50

HYPE TAPS

Basin Mixer With Click Waste



THP11

£72.50

Bath Filler



THP32

£122.00

Bath Shower Mixer



THP42

£146.50

LIFT TAPS

Basin Mixer With Click Waste



TLF11

£72.50

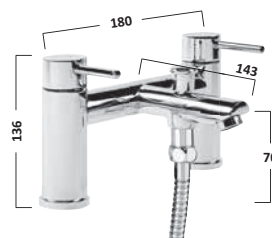
Bath Filler



TLF32

£122.00

Bath Shower Mixer



TLF42

£146.50

KICK TAPS

Basin Mixer With Click Waste



TKC11

£98.20

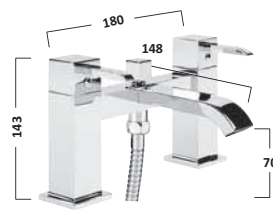
Bath Filler



TKC32

£140.50

Bath Shower Mixer



TKC42

£164.00

BLAZE TAPS

Mini Basin Mixer with Click Waste



TBL61

£110.50

Basin Mixer with Click Waste



TBL11

£118.00

Bath Filler



TBL32

£180.00

Bath Shower Mixer



TBL42

£209.50

SIREN TAPS

Mini Basin Mixer with Click Waste



TSN61

£110.50

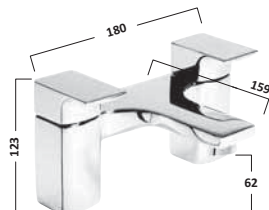
Basin Mixer with Click Waste



TSN11

£118.00

Bath Filler



TSN32

£180.00

Bath Shower Mixer

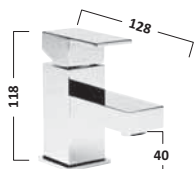


TSN42

£209.50

INDEX TAPS

Mini Basin Mixer with Click Waste



TND61

£135.50

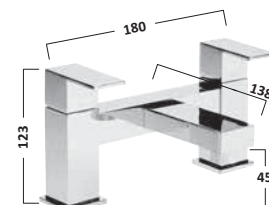
Basin Mixer with Click Waste



TND11

£149.00

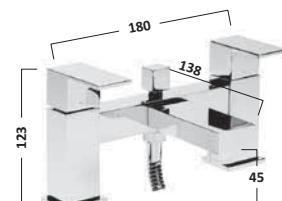
Bath Filler



TND32

£227.00

Bath Shower Mixer



TND42

£266.00

LOGIC TAPS

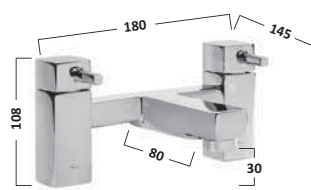
Basin Mixer with Click Waste



TLG11

£100.50

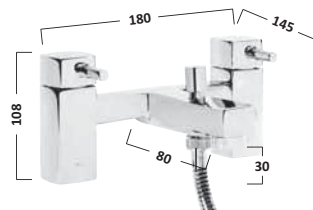
Bath Filler



TLG32

£140.50

Bath Shower Mixer

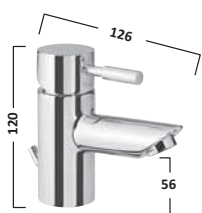


TLG42

£166.00

KINETIC TAPS

Mini Basin Mixer with Pop Up Waste



TKN60

£91.00

Mini Basin Mixer without Pop Up Waste



TKN62

£77.40

Basin Mixer with Pop Up Waste



TKN10

£96.20

Basin Mixer without Pop Up Waste



TKN12

£83.30

KINETIC TAPS

Basin Mixer with Click Waste



TKN70 £97.70

Tall Basin Mixer without Pop-Up Waste



TKN52 £121.00

Mono bath mixer



TKN92 £191.50

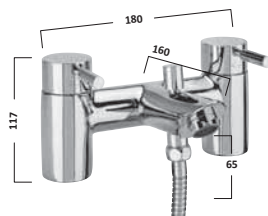
KINETIC TAPS

Bath Filler



TKN32 £146.50

Bath Shower Mixer



TKN42 £174.00

CRUZ TAPS

Mini Basin Mixer without Pop Up Waste



TCR62 £77.40

Basin Mixer



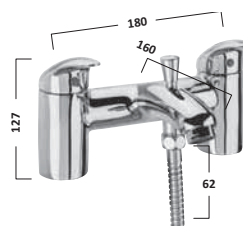
TCR10 - with pop up waste £92.50
TCR12 - without pop up waste £80.30

Bath Filler



TCR32 £134.50

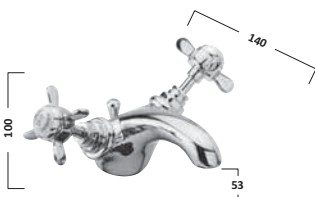
Bath Shower Mixer



TCR42 £156.50

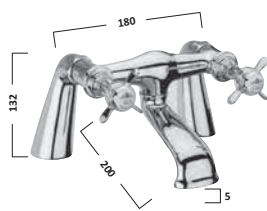
VARSITY TAPS

Basin Mixer



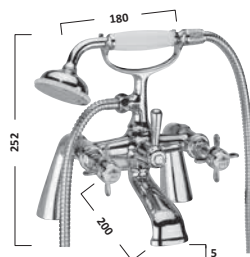
TVA10 £97.40

Bath Filler



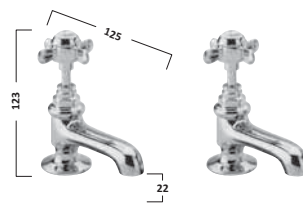
TVA32 £124.50

Bath Shower Mixer



TVA42 £209.50

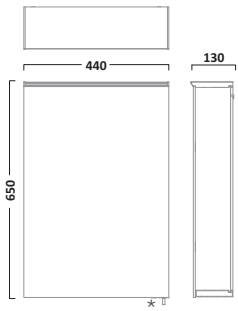
Basin Taps (Pair)



TVA70 £56.80

DYNAMIC ALUMINIUM CABINET

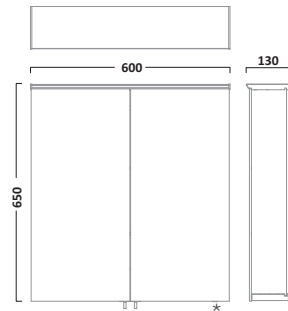
Single Door Cabinet



DY44AL

£355.00

Double Door Cabinet

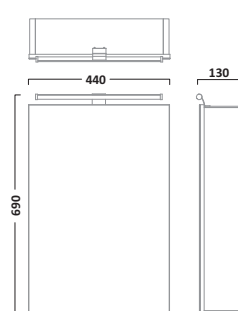


DY60AL

£420.00

CONDUCT ALUMINIUM CABINET

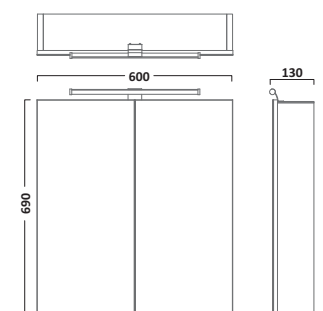
Single Door Cabinet



CO44AL

£188.50

Double Door Cabinet

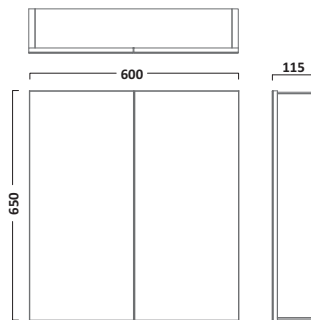


CO60AL

£245.50

OBSERVE CABINET

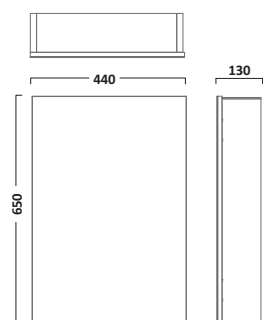
Double Door Cabinet

OB60W - Gloss White
OB60M - Montana Gloss

£145.00

BALANCE ALUMINIUM CABINET

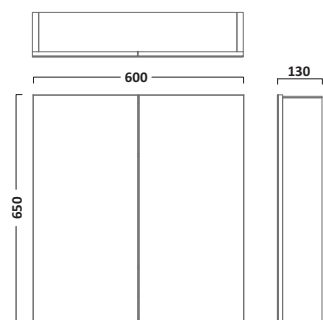
Single Door Cabinet



BA44AL

£150.00

Double Door Cabinet

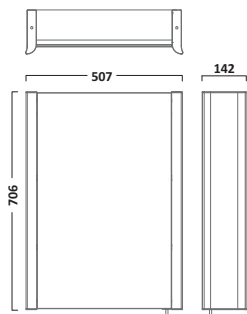


BA60AL

£207.00

IDEA ALUMINIUM CABINET

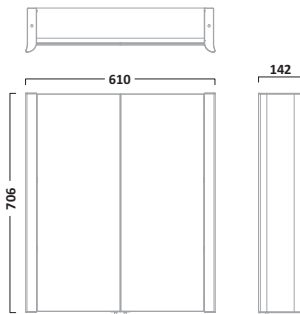
Single Door Cabinet



ID50AL

£505.00

Double Door Cabinet

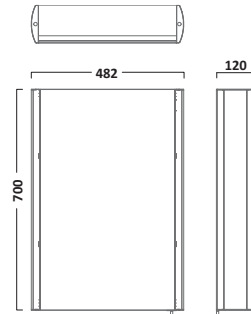


ID60AL

£600.00

MOVE ALUMINIUM CABINET

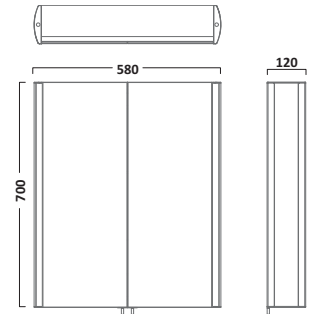
Single Door Cabinet



MO48AL

£221.50

Double Door Cabinet

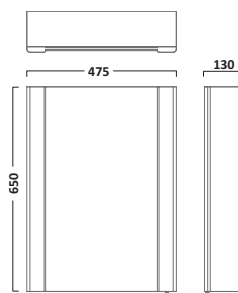


MO58AL

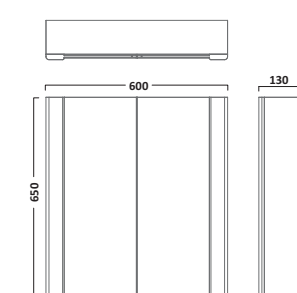
£259.00

DETAIL CABINET

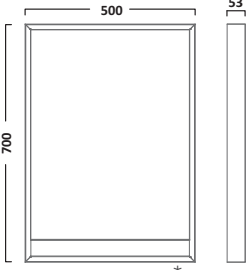
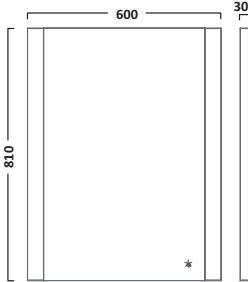
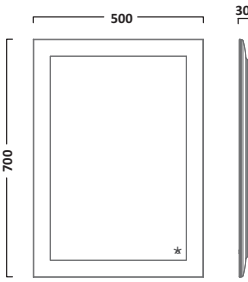
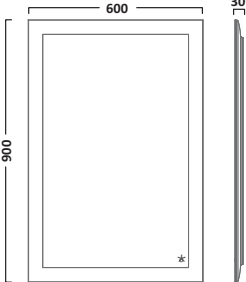
Single Door Cabinet

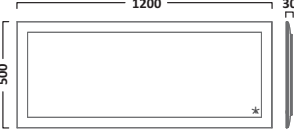
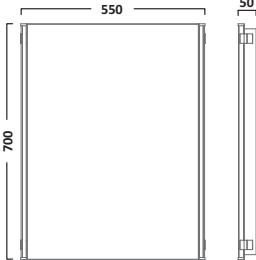
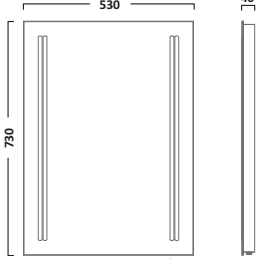
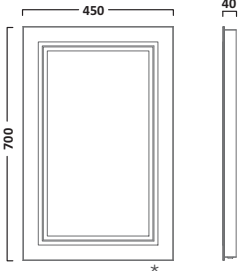
DE47W - White
DE47AW - Walnut£141.50
£154.00

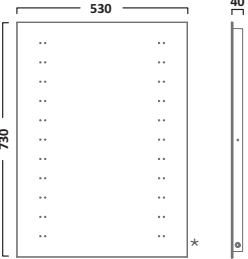
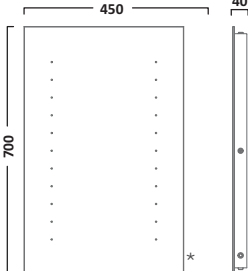
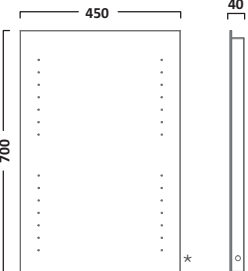
Double Door Cabinet

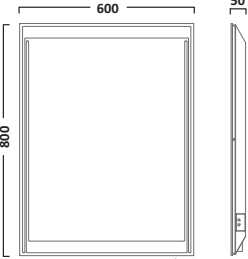
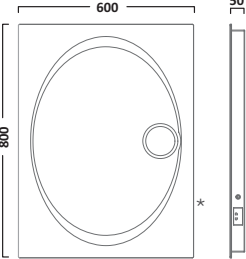
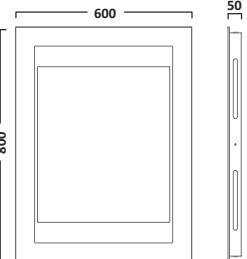
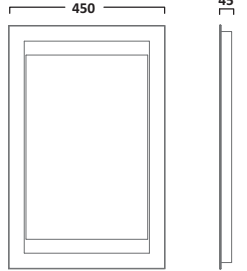
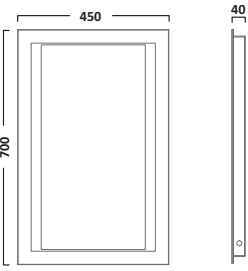
DE60W - White
DE60AW - Walnut£178.50
£191.00

MIRRORS TECHNICAL INFORMATION

LED ILLUMINATED MIRRORS							
Pitch Mirror with Bluetooth Wireless Technology	Pride Mirror	Reform Mirror	Appear Mirror				
							
SLE530	£369.00	SLE570	£319.00	SLE540	£299.00	SLE550	£339.00

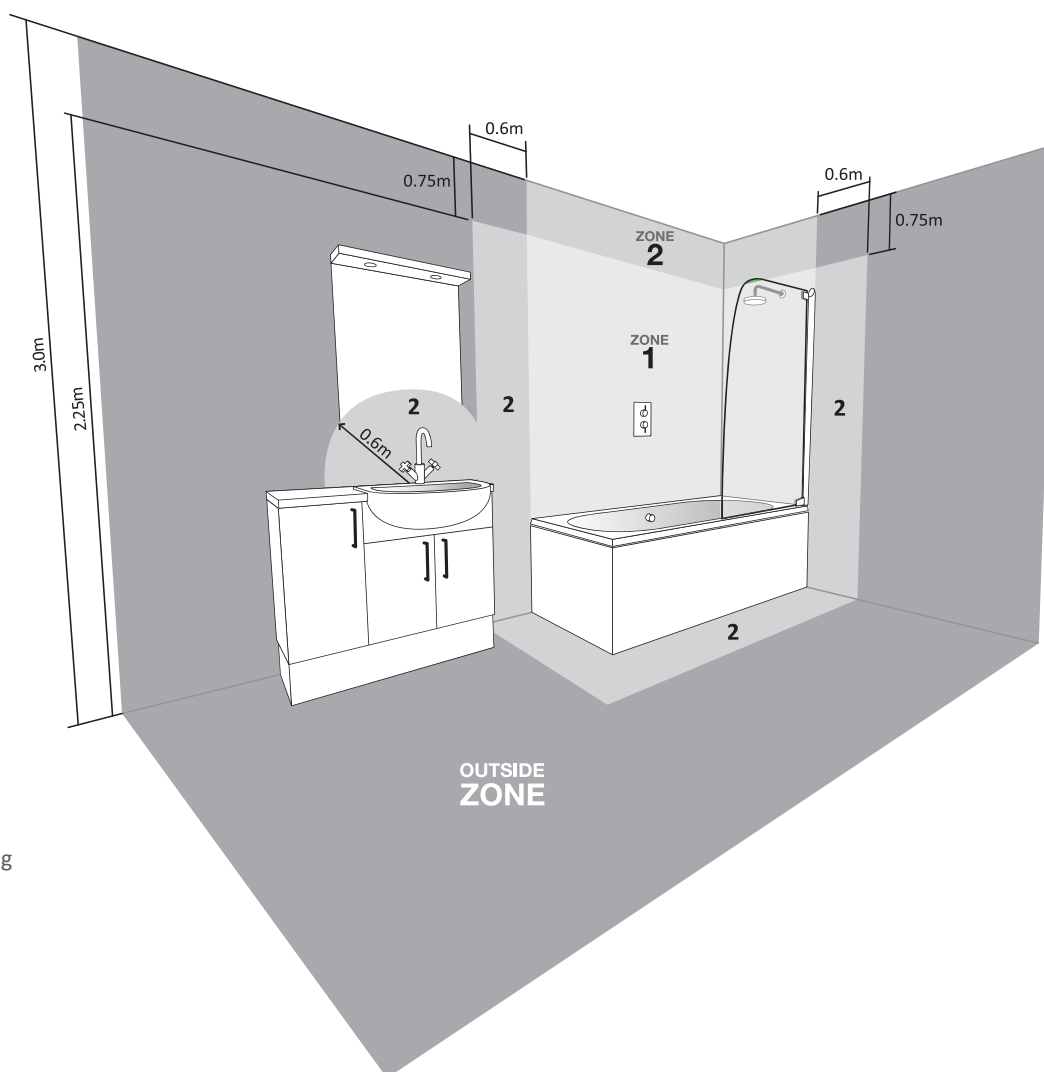
LED ILLUMINATED MIRRORS							
Drift Mirror	Core Mirror	Diffuse Mirror	Transmit Mirror				
							
SLE560	£399.00	SLE500	£229.00	SLE520	£186.50	SLE510	£176.00

LED ILLUMINATED MIRRORS					
Refraction Mirror	Momentum Mirror	Avent Mirror			
					
SLE410	£320.00	SLE400	£292.00	SLE440	£168.50

BACKLIT ILLUMINATED MIRRORS							
Equalise Mirror	Vapour Mirror	Transform Mirror	Mood Illuminated Mirror	Align Illuminated Mirror			
							
SBL17	£348.00	SBL16	£343.00	SBL10	£292.00	SBL14	£228.00
						SBL15	£157.00

* The position of the infrared sensor is indicated on each cabinet/mirror with this symbol

Tavistock Bathroom Safety



ZONE 1

Electrical fittings in this zone require separated extra low voltage and a minimum rating of IP44 (splash proof).

ZONE 2

Electrical fittings in this zone require a minimum rating of IP44 (splash-proof).

BATHROOM SAFETY

Mirrors Technical Information

All mirrors featuring infrared technology must be mounted a minimum of 150mm from an adjacent wall or obstruction to ensure correct function of the infrared sensor.

Tavistock illuminated mirrors have been designed and independently tested for compliance to electrical equipment (safety) regulations.

All electrical connections should be made according to the latest national wiring regulations. Illuminated mirrors are suitable for installation in the bathroom within outside zones unless stated. Mirrors which are IP44 water resistance rated are suitable for use in zones 2 and outside zones in the bathroom. Illuminated mirrors are not suitable for installation in saunas, steam rooms, shower cubicles or above a bath tub. Products are only suitable for permanent installation. Installation by a suitably qualified electrician is required.

Cabinets - Electrics

Our illuminated cabinets have been designed and independently tested for compliance to electrical equipment (safety) regulations. Idea cabinets are only suitable for use outside zones 1 & 2 according to the latest IEE regulations. All Idea cabinets are class 1 insulated and require an earth connection.

Infrared Sensor

All mirrors or cabinets featuring infrared technology must be mounted a minimum of 150mm from an adjacent wall or obstruction to ensure correct function of the infrared sensor.



Customer Service

If you have a query all you have to do is pick up the phone. A member from our highly trained customer services team will deal with your problem effectively and efficiently.

Call 01225 787870 to speak to a member of our customer service team. Our lines are open:

Monday – Thursday 9am - 5.30pm
Friday 9am – 5pm

or email us at
info@tavistock-bathrooms.co.uk

Quality & Service

Exceptional service is as integral to our business as outstanding product, design and manufacturing. We invest heavily in product improvement and reserve the right to amend specifications at any time if an opportunity to further improve the product occurs to ensure complete customer satisfaction.

Guarantees

All product are guaranteed against defective workmanship or materials. Length of guarantee depends on the product type - please refer to relevant section of the brochure. Guarantees are for domestic use only and are not transferable.

Attention is drawn to the policy of replacing any damaged part with a spare part where possible. Complete exchanges will only be made if damage is extensive. All dimensions are approximate and are quoted within reasonable tolerances.

Pricing

All prices are quoted inclusive of VAT which will be charged at the rate applicable on the date of despatch. The prices charged will be those ruling at the date of despatch and Tavistock cannot be held responsible for any errors or omissions to products or prices.

Acknowledgements

Photography

Viewpoint Photography +44 (0) 1761 419998
www.viewpoint-photography.co.uk

Tiles

Mandarin Stone +44 (0) 1600 715444
www.mandarinstone.com
Pilkington Tiles Group PLC +44 (0) 845 241 2121
www.pilkingtons-tiles.co.uk
Tile HQ +44(0)1782 597750
www.tilehq.co.uk
Porcelanosa +44 (0)800 915 4000
www.porcelanosa.co.uk



TAVISTOCK

inspiring bathrooms

Customer Service

Tel: +44 (0) 1225 787 870

Fax: +44 (0) 1225 448 877

E: info@tavistock-bathrooms.co.uk

www.tavistock-bathrooms.co.uk

Brassmill Lane Trading Estate Bath BA1 3JF

TAVIUKJAN15